



SERIES G2 PRODUCT DATA SHEET

MODEL	PART NUMBER	MOTOR TYPE
SVDG2 18-A-E24V-10DL-WR08-MC	104840	Electric 24V

SERIAL NUMBER	INSPECTED BY	DATE

ENGINEERING DATA

Rated Pulling Force:	18000 lbf	8165 kgf
Drum Barrel Diameter:	4 in	101.6 mm
Drum Flange Diameter:	8.24 in	209.3 mm
Drum Width:	9.95 in	252.7 mm
Evaluated Rope Diameter:	1/2 in	12.7 mm
Maximum Wire Rope Diameter:	1/2 in	12.7 mm
Minimum Wire Rope Breaking Strength:	26600 lbf	12065 kgf
Maximum Layers of Wire Rope:	3 with 1/2 in rope	
Gear Train:	Planetary	
Gear Reduction:	321:1	
Mounting Bolt Size:	M12 X 1.75 Class 8.8	
Mounting Bolt Torque:	46-51 lbf-ft	63-69 Nm
Duty Cycle (per SAE J706 section 6.2):	10.1 ft	3.1 m
Approximate Shipping Weight:	108.1 lbf	49.0 kg
Brake Type:	Automatic Disk Brake per SAE J706 Sec. 4.2	
Sealing:	IP68/IP69K MIL-STD-1184, Type III, Class 1, test method 100	
UV Rating:	1200 kJ/m ² per ASTM G154	
Corrosion Resistance:	CARC Coated per MIL-DTL-53039/MIL-DTL-53072	
Operating Temperature:	-40°F to 158°F (-40°C to 70°C)	
Decibels:	85.5 dB	
EMC Emissions:	CISPR 25:2008	
EMC Immunity:	ISO 7637-2:2004	

PERFORMANCE BY LAYER

DRUM LAYER	LINE LOAD*			LINE SPEED	
	lbf	kgf	kN	ft/min	m/min
1	18000	8165	80.1	20.3	6.2
2	14727	6680	65.5	21.5	6.6
3	12462	5652	55.4	22.7	6.9

*Never exceed the Rated Pulling Force. Installation of a Rated Capacity Limiter is recommended

FIRST LAYER PERFORMANCE

LINE LOAD		CURRENT DRAW	LINE SPEED (AT LOAD)		DUTY CYCLE
lbf	kgf	AMPS	ft/min	m/min	min/10min
0	0	45.7	20.3	6.2	2:30
3000	1361	96.9	10.7	3.3	1:30
6000	2722	137.4	7.5	2.3	0:50
9000	4082	177.3	6.3	1.9	0:30
12000	5443	219.6	5.0	1.5	0:15
15000	6804	260.7	3.5	1.1	0:10
18000	8165	290.4	3.9	1.2	0:05



DESCRIPTION

SeriesG2 Severe Duty winches provide the ultimate package for the most demanding conditions worldwide. Ideally suited to military applications, these winches have unique features that make them nearly indestructible no matter the extreme situation.

ACCESSORIES

SeriesG2 winches represents an all-new level of modular design, customization, and versatility, no matter the application. Please visit www.warn.com/industrial for all available accessories and options.

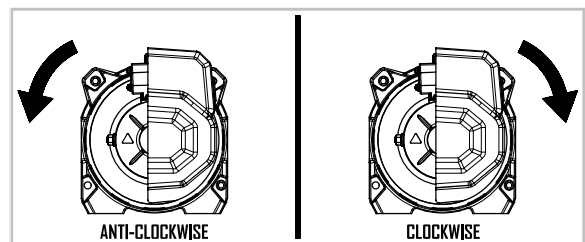
STANDARDS COMPLIANCE

2006/42/EC - EN ISO 12100:2010, EN 60529:1992+A2:2013, EN 14492-1:2006*
2014/30/EU - EN 50498:2010, ISO 7637-2:2011, CISPR 25
2011/65/EU - EN 63000:2018

Also complies with:
SAE J706
MIL-STD-1184

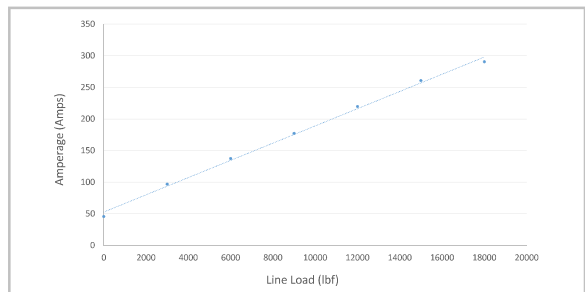
*Conforms with exceptions

DRUM ROTATION



As viewed from motor end

FIRST LAYER PERFORMANCE



WARN INDUSTRIES, INC
INDUSTRIAL PRODUCTS

Customer Service (North America): 1.800.543.9276
Customer Service (International): 1.503.722.3008
www.warn.com

12900 S.E. Capps Road,
Clackamas, OR USA 97015



SERIES G2 PRODUCT DATA SHEET

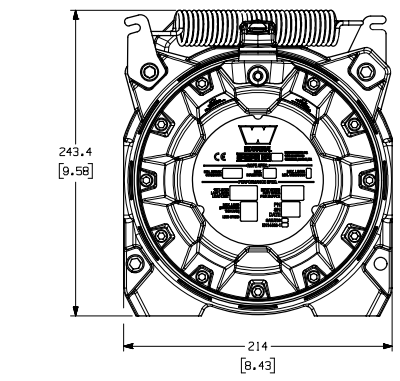
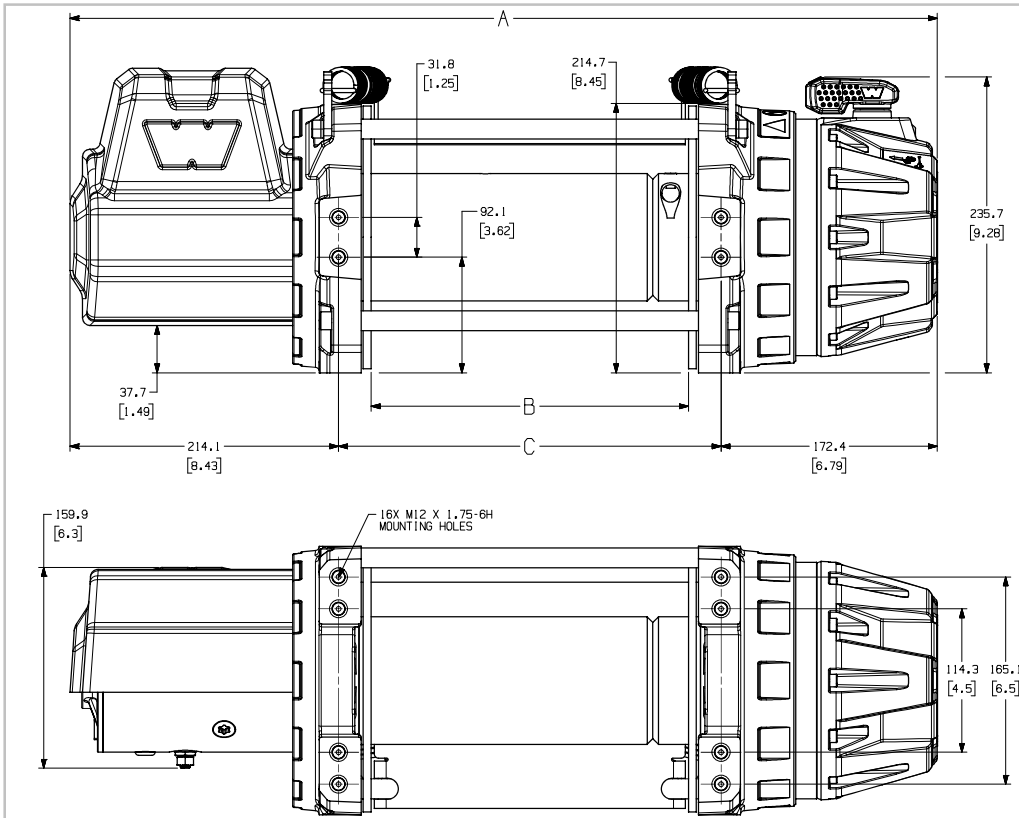
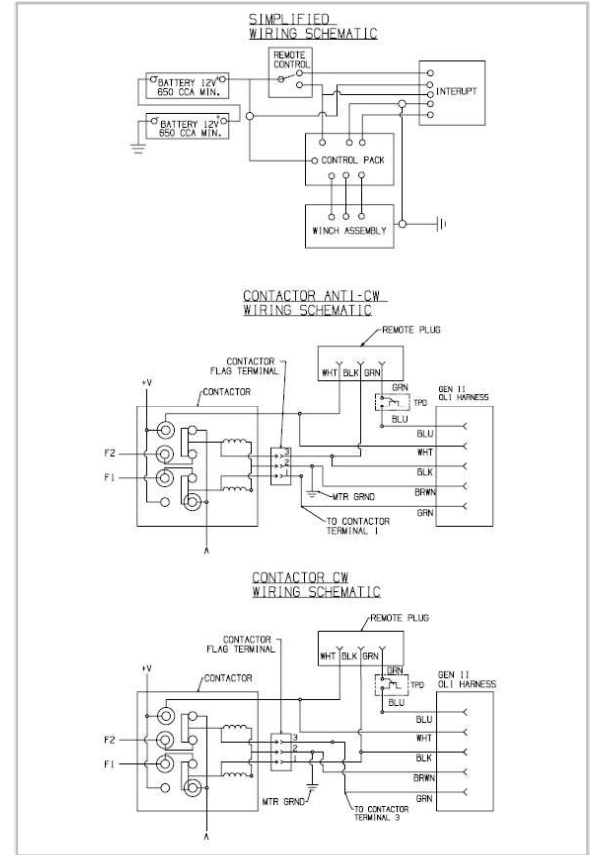
MODEL	PART NUMBER	MOTOR TYPE
SVDG2 18-A-E24V-10DL-WR08-MC	104840	Electric 24V

DRUM LAYER	DRUM CAPACITY BY LAYER							
	DRUM LENGTH							
	6.5"		8"		10"		12.5"	
	ft	m	ft	m	ft	m	ft	m
1	16	4.9	16	4.9	20	6.1	27	8.2
2	36	11.0	36	11.0	45	13.7	61	18.6
3	60	18.3	60	18.3	75	22.9	100	30.5

ROPE DIAMETER	TOTAL DRUM CAPACITY							
	DRUM LENGTH							
	6.5"		8"		10"		12.5"	
	ft	m	ft	m	ft	m	ft	m
1/2	60	18.3	60	18.3	75	22.9	100	30.5

ELECTRICAL SYSTEM SPECIFICATIONS	
Battery Voltage:	24V
Minimum Battery Rating:	650 CCA
Maximum Rated Input Speed:	5531 RPM

WIRING SCHEMATIC



DRUM SIZE	UNITS	A	B WIRE	B SYNTH.	C
6.5" DRUM	mm	602.3	163.8	151.1	215.8
	in	23.71	6.45	5.95	8.50
8" DRUM	mm	640.4	201.9	189.2	253.9
	in	25.21	7.95	7.45	10.00
10" DRUM	mm	691.2	252.7	240.0	304.7
	in	27.21	9.95	9.45	12.00
12.5" DRUM	mm	754.7	316.2	303.5	368.2
	in	29.71	12.45	11.95	14.50

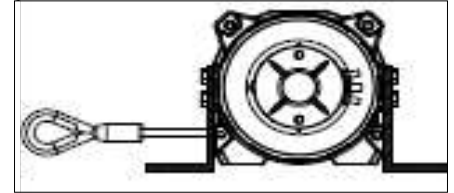
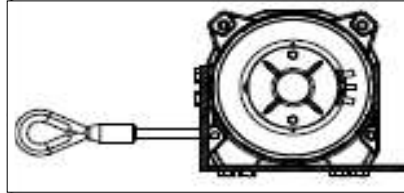
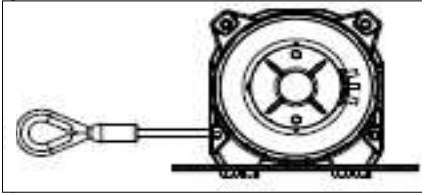


SERIES G2 PRODUCT DATA SHEET

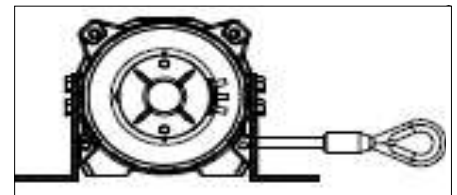
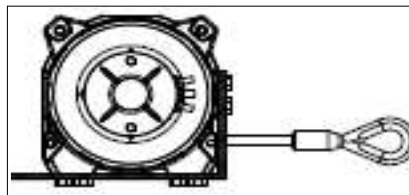
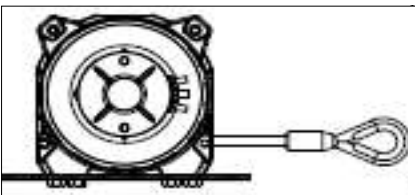
MOUNTING CONFIGURATIONS

MODEL	PART NUMBER	MOTOR TYPE	ALL MOUNTING MUST BE OBSERVED FROM MOTOR END
SVDG2 18-A-E24V-10DL-WR08-MC	104840	Electric 24V	

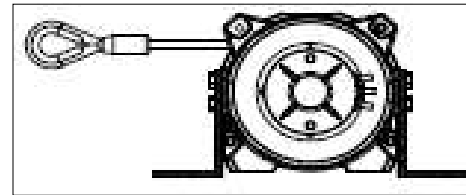
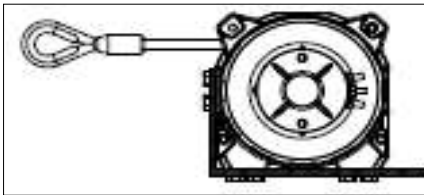
FEET DOWN, ROPE UNDER DRUM, COMING IN FROM THE LEFT (DUL) - ANTI-CLOCKWISE ROTATION



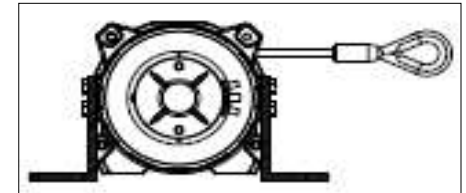
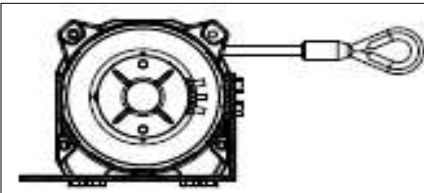
FEET DOWN, ROPE UNDER DRUM, COMING IN FROM THE RIGHT (DUR) - CLOCKWISE ROTATION



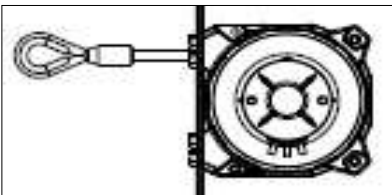
FEET DOWN, ROPE OVER DRUM, COMING IN FROM THE LEFT (DOL) - CLOCKWISE ROTATION



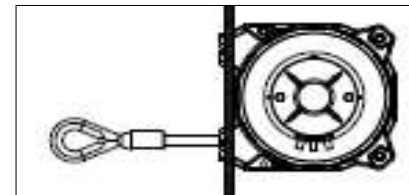
FEET DOWN, ROPE OVER DRUM, COMING IN FROM THE RIGHT (DDR) - ANTI-CLOCKWISE ROTATION



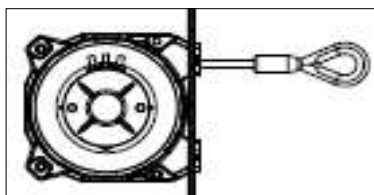
FEET FORWARD, ROPE OVER DRUM, COMING IN FROM THE LEFT (FOL) - CLOCKWISE



FEET FORWARD, ROPE UNDER DRUM, COMING IN FROM THE LEFT (FUL) - ANTI-CLOCKWISE



FEET FORWARD, ROPE OVER DRUM, COMING IN FROM THE RIGHT (FOR) - ANTI-CLOCKWISE



FEET FORWARD, ROPE UNDER DRUM, COMING IN FROM THE RIGHT (FUR) - ANTI-CLOCKWISE

