

# FK113 FORD RANGER 22.75MY DRIVESHAFT BEARING SPACER KIT

**HAND TOOLS REQUIRED**

Ring / Open end Spanner set (Metric)  
Socket Set (Metric)

**WORKSHOP TOOLS REQUIRED**

Trolley Jack  
Axle Stands  
Adjustable Stand

**OPTIONAL HAND TOOLS**

Ratchet Spanner 14mm.

**OPTIONAL WORKSHOP TOOLS**

Vehicle Hoist

**KIT CONTENTS**

Description	Qty.
M10 Flange Bolt	2
Aluminum spacer	2
Flat Washer	6

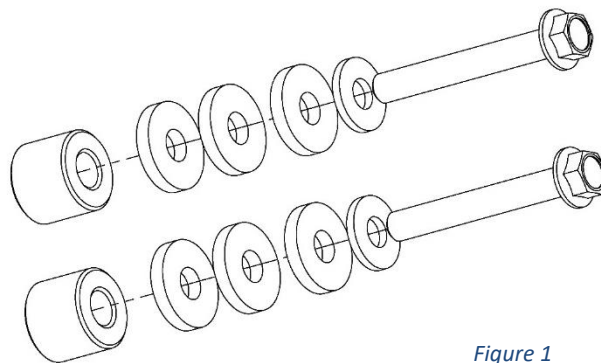


Figure 1

**FITMENT NOTES**

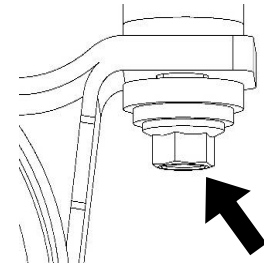
- This kit should be fitted after raised Old Man Emu suspension has been installed.
- Always fit same washer configuration to both sides of bearing mount.
- M10 Flange bolt **torque spec - 77Nm** (Do not use a rattle gun to tighten).

**FITMENT PROCEDURE**

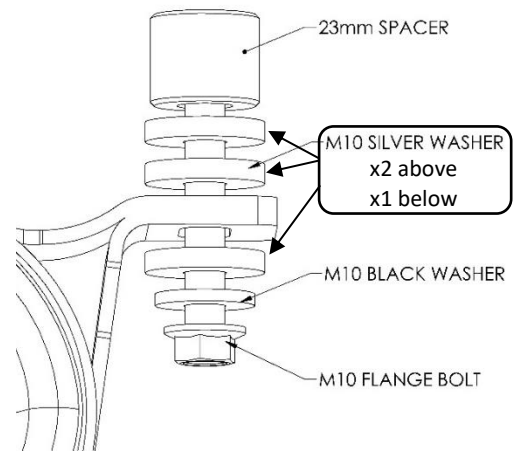
1. Before fitment test drive vehicle to observe severity and nature of any driveline vibrations.  
  
Note observations for comparison, after kit has been fitted.



2. Loosen both bolts but do not remove.



3. Remove **ONE** M10 flange bolt and lower the bearing away from the body.
4. Place the 23mm spacer and 2 silver washers above the bearing and one silver washer and one black washer below the bearing as shown in right.
5. Secure bolt but do not tighten.
6. Repeat steps 3 and 4 for the other bolt.
7. Tighten to 77Nm.



8. After fitment test drive vehicle again. Compare with pre fitment notes.

If no improvement in driveline vibration is observed after fitment of kit with initial 1/2 configuration, remove and refit with a different ratio of washers above and below the bearing mount (see below).

Continue to try different configurations until driveline vibration is reduced to a satisfactory level.

