

# **ARB** **BASE RACK**

## **FITTING INSTRUCTION**

Part Number:  
**17929060** (2 boxes)  
**17929070** (2 boxes)

Suits BASE RACK:  
**1770130**  
**1770140**

Suits Vehicle:  
**V362 - SWB Low Roof \***  
**V362 - LWB Low Roof**

Product Description:  
**BASE RACK FITTING KIT for TRANSIT CUSTOM V362**

\* Not compatible with liftgate vehicles when equipped with a whip antenna sitting ~200mm from the top of the windscreen. Antenna needs to be removed or replaced. Check vehicle first.

### **WARNING**

- ◆ Vehicle accessories which are not properly fitted can be dangerous.
- ◆ Please read these instructions carefully prior to fitting, and comply with the instructions at all times
- ◆ If in any doubt please contact your nearest ARB state office or the stockist from whom it was purchased.
- ◆ Do not use this product for any vehicle make or model, other than those specified by ARB.
- ◆ This product or its fixing must not be modified in any way.
- ◆ The installation of this product may require the use of specialized tools and/or techniques
- ◆ It is recommended that this product is only installed by trained personnel
- ◆ These instructions are correct as at the publication date. ARB Corporation Ltd. cannot be held responsible for the impact of any changes subsequently made by the vehicle manufacturer
- ◆ During installation, it is the duty of the installer to check correct operation/clearances of all components
- ◆ Work safely at all times
- ◆ Unless otherwise instructed, tighten fasteners to specified torque
- ◆ Check bolt torque after 500km & at regular service intervals

## **ARB 4x4 ACCESSORIES**

### **Corporate Head Office**

Australian enquiries  
North & South American enquiries  
Other international enquiries

42-44 Garden St  
Kilsyth, Victoria  
AUSTRALIA 3137

Tel: +61 (3) 9761 6622  
Fax: +61 (3) 9761 6807

sales@arb.com.au  
sales@arbusa.com  
exports@arb.com.au

**[www.arb.com.au](http://www.arb.com.au)**

# **SAFETY**

## **NET PAYLOAD FOR YOUR BASE RACK**

The net payload for your BASE RACK is calculated by subtracting the weight of the BASE RACK and the vehicle mounting kit from the vehicle's roof capacity.

The vehicle's roof load capacity may vary between models and driving conditions. Refer to vehicle owner's manual for model and condition specific roof load capacities.

Kit	BASE RACK	Vehicle roof capacity* (kg/lb)	BASE RACK + mount kit (kg/lb)	BASE RACK net payload (kg/lb)
17929060	1770130	150 / 330	50 / 110	100 / 220
17929070	1770140	150 / 330	54 / 120	96 / 210

\* Maximum roof load capacity. Refer to vehicle owner's manual for model and condition specific roof load capacities.

It is important to follow the listed usage instructions;

- ◆ Maximum load per BASE RACK beam is 25kg.
- ◆ Load must be evenly distributed and adequately secured.
- ◆ Any weight carried on the roof of the vehicle will adversely affect its handling, particularly in cornering or in a cross-wind, the vehicle should therefore be driven with increased discretion.
- ◆ Regularly check the tightness of the securing clamps and the security of the load.
- ◆ Attention is directed to statutory requirements regarding maximum permissible projections from vehicles.

# **GENERAL CARE AND MAINTENANCE**

By choosing an ARB BASE RACK, you have bought a product that is one of the most sought after 4WD products in the world. Your BASE RACK is a properly engineered, reliable, quality accessory that represents excellent value. To keep your BASE RACK in original condition it is important to care and maintain it following these recommendations:

As part of any pre-trip preparation, or on an annual basis, it is recommended that a thorough visual inspection of the BASE RACK is carried out, making sure that all bolts and other components are torqued to the correct specification. Replace any components as necessary.

Please contact local Authorised ARB Stockist if you would like to have this service carried out on your behalf.

## FITTING REQUIREMENTS

### REQUIRED TOOLS FOR FITMENT OF PRODUCT:

Allen key set	13mm spanner
Torx key set	Socket set
Tape measure	Pen/pencil

**NOTE: 'WARNING' notes in the fitting procedure relate to OHS situations, where to avoid a potentially hazardous situation it is suggested that protective safety gear be worn or a safe work procedure be employed. If these notes and warnings are not heeded, injury may result.**

### FASTENER TORQUE SETTINGS:

SIZE	Torque Nm	Torque lbft
M6	9Nm	7lbft
M8	22Nm	16lbft

## Air Deflectors and Base Rack Light Bar

**By default** (Without Light Bar):



Air Deflector should be fitted to the BASE RACK. Instructions are in the following pages.

**When using a BASE RACK Light Bar** (part number **1780500**):

It is recommended to fit the Light Bar in front of the BASE RACK, together with the Air Deflector, which will need to be trimmed.

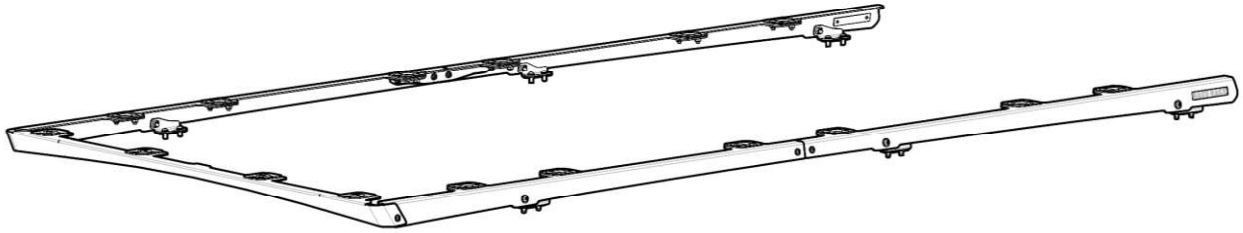
The Light Bar can also be fitted above the rack, but will not fit underneath.

For further details, refer to the instructions in the following pages, and to those provided with the Light Bar.

		<b>PART NUMBER</b>
AIR DEFLECTOR		<b>3755787</b> <b>Included</b>
BASE RACK LIGHT BAR		<b>1780500</b>

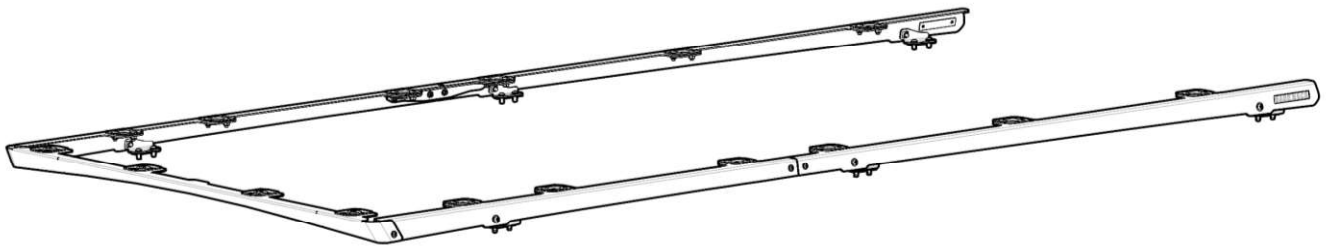
## DIAGRAMS

### 17929060



Packaged in two boxes: 17929060A & 17929060A  
Includes FASTENERS KIT - 6178012

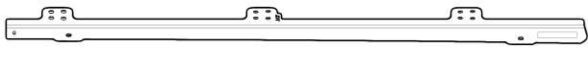
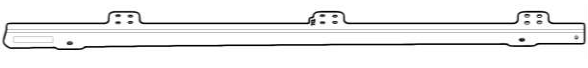
### 17929070

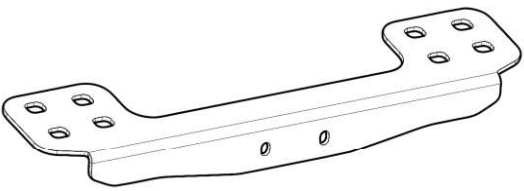
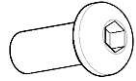


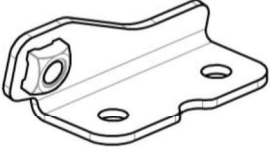

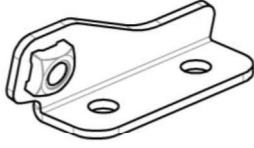

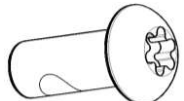

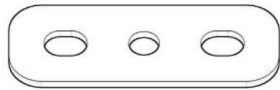
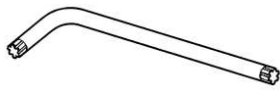


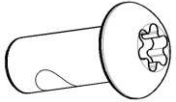
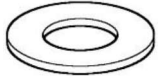
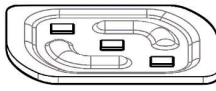
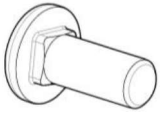

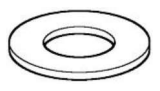

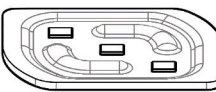
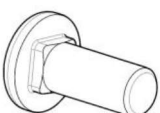

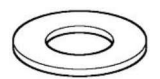

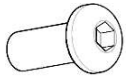
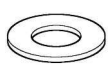
Packaged in two boxes: 17929070A & 17929070A  
Includes FASTENERS KIT - 6178012

## PARTS LISTING 17929060 - 17929070

PART NO.	PICTURE	QTY		DESCRIPTION
		17929060	17929070	
3755179L		1	-	BLADE TRANSIT-CUST SWB 2705 FRONT LEFT
3755179R		1	-	BLADE TRANSIT-CUST SWB 2705 FRONT RIGHT
3755180L		1	-	BLADE TRANSIT-CUST SWB 2705 BACK LEFT
3755180R		1	-	BLADE TRANSIT-CUST SWB 2705 BACK RIGHT
3755784L		-	1	BLADE TRANSIT-CUST LWB 2995 FRONT LEFT
3755784R		-	1	BLADE TRANSIT-CUST LWB 2995 FRONT RIGHT

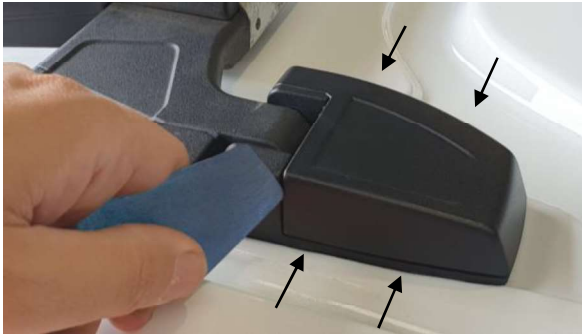
3755783L		-	1	BLADE TRANSIT-CUST LWB 2995 BACK LEFT
3755783R		-	1	BLADE TRANSIT-CUST LWB 2995 BACK RIGHT

PART NO.	PICTURE	QTY	DESCRIPTION
<b>APPLICATION – SPLIT BLADES JOINT</b>			
3755182		2	BLADE JOINER TRANSIT-CUST
6151459		4	M6x16 BUTTON HEAD HEX - BLACK
6151223		4	M6 NYLOC NUT - BLACK
4584327		8	M6 FLAT WASHER - BLACK
<b>APPLICATION – MOUNTING BRACKETS TO ROOF</b>			
3755177R		2	MOUNTING BRACKET W/ WELD NUT – ENDS RIGHT
3755177L		2	MOUNTING BRACKET W/ WELD NUT - ENDS LEFT
3755178R		1	MOUNTING BRACKET W/ WELD NUT - MID RIGHT
3755178L		1	MOUNTING BRACKET W/ WELD NUT - MID LEFT
6151924		12	M8x20 BUTTON HEAD TORX - BLK
4584415		12	M8 WASHER FLAT - BONDED
5848525		6	RUBBER PACKER
6151934		1	TORX ALLEN KEY

<b>APPLICATION – BLADE BRACKETS TO MOUNTING BRACKETS</b>			
6151924		6	M8x20 BUTTON HEAD TORX - BLK
4581307		6	M8 WASHER FLAT - BLACK
<b>APPLICATION – BASE RACK TO BLADE BRACKETS</b>			
3195184		12	M8 STUD PLATE
6151921		24	M8x20 STUD - BLACK
6151212		24	M8 NYLOC NUT - BLACK
4581307		24	M8 WASHER FLAT - BLACK
<b>APPLICATION – BASE RACK TO AIR DEFLECTOR</b>			
3755787		1	AIR DEFLECTOR
3195184		4	M8 STUD PLATE
6151921		4	M8x20 STUD - BLACK
6151212		4	M8 NYLOC NUT - BLACK
4581307		4	M8 WASHER FLAT - BLACK
<b>APPLICATION – AIR DEFLECTOR TO BLADE BRACKETS</b>			
6151300		2	M6 CAGE NUT
6151459		2	M6x16 BUTTON HEAD HEX - BLACK
4584327		4	M6 FLAT WASHER - BLACK

**BEFORE STARTING, READ ALL STEPS OF THE INSTRUCTIONS  
CAREFULLY AND CHECK ALL PART**

**STEP 1: REMOVE FACTORY ROOF BARS (IF FITTED)**



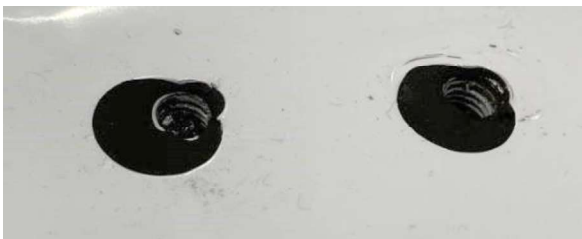
**1. Remove covers**

Using a panel remover, unclip the base of the cap (two clips on each side).



**2. Remove roof bars**

Unscrew bolts on each side & remove roof bars.



**3. Clean up**

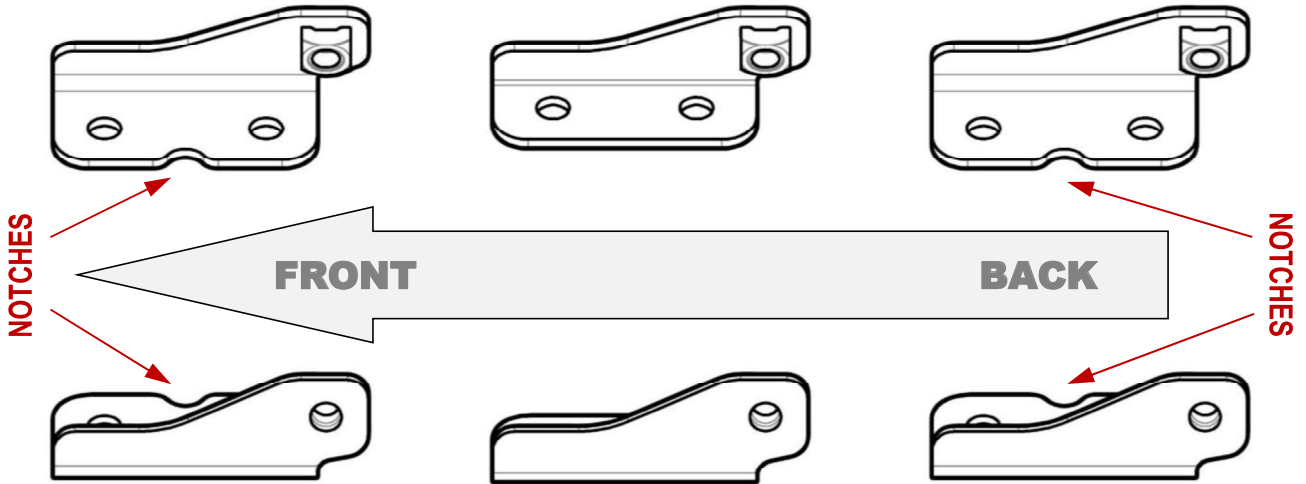
Remove all dirt, silicone & double-sided tape that might cover the anchor point areas.

## STEP 2 – ATTACH MOUNTING BRACKETS TO ROOF

**ENDS**  
Brackets

**MID**  
Brackets

**ENDS**  
Brackets



MOUNT BRACKETS DIAGRAM  
**BARN DOORS CONFIGURATION**

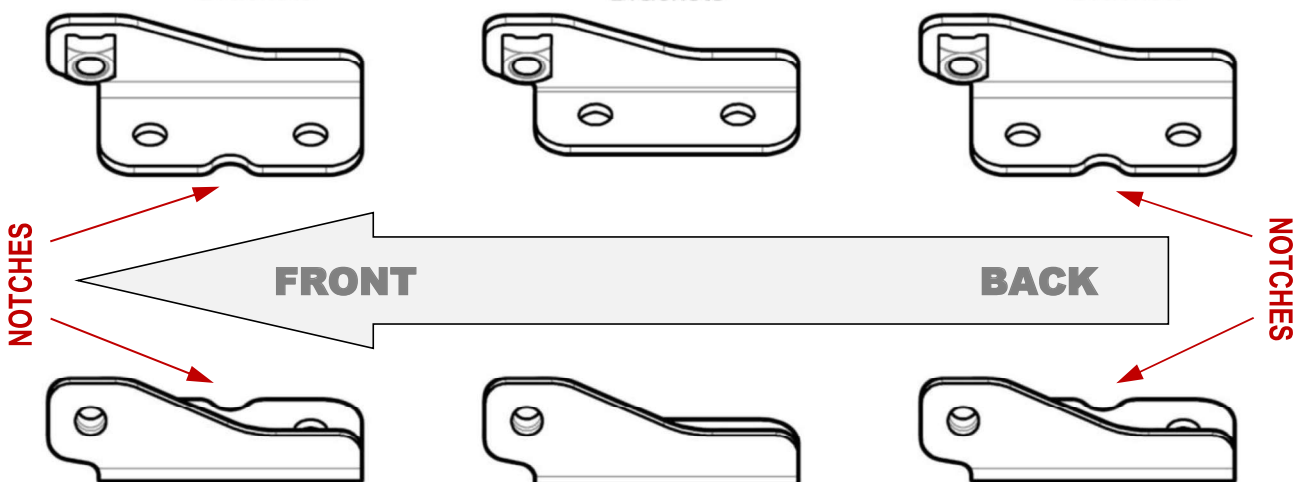


OR

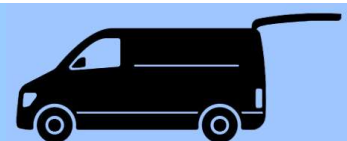
**ENDS**  
Brackets

**MID**  
Brackets

**ENDS**  
Brackets



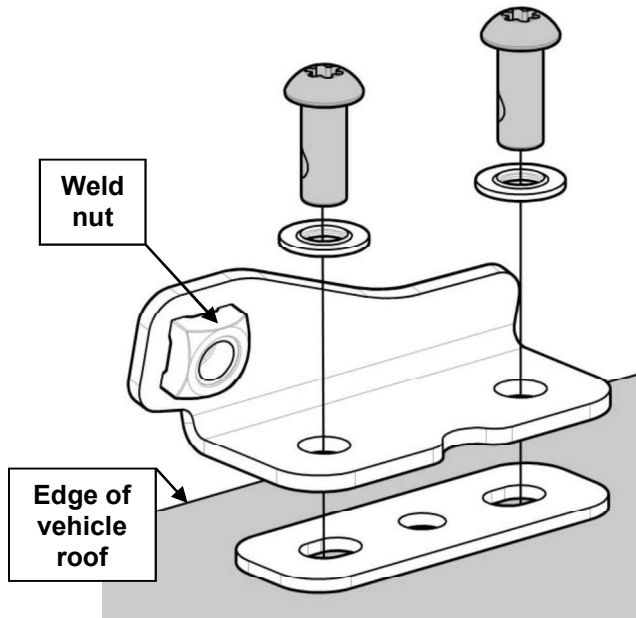
MOUNT BRACKETS DIAGRAM  
**LIFTGATE CONFIGURATION**







4. Spread a small amount of sealant around the anchor points.



5. **Assemble mount brackets**

-Place rubber packers over each set of anchor points.

-Position mounting brackets following the mount brackets diagram, so that weld nuts are facing towards the centre of the vehicle.

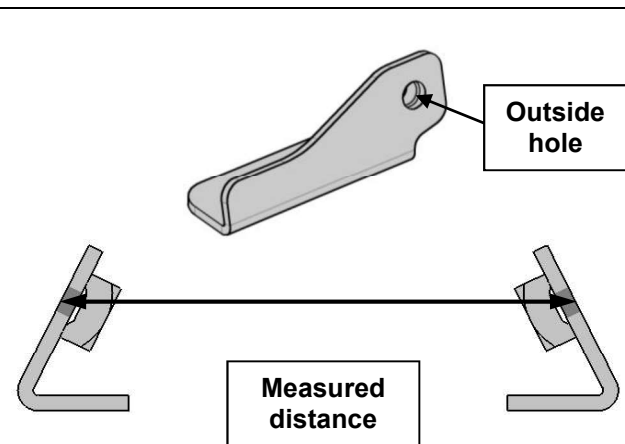
-Attach each bracket to the roof mounting points using M8 Button head screws and M8 Bonded washers (See image).

-Tighten screws to specified torque

 **Torque M8 to 22Nm**



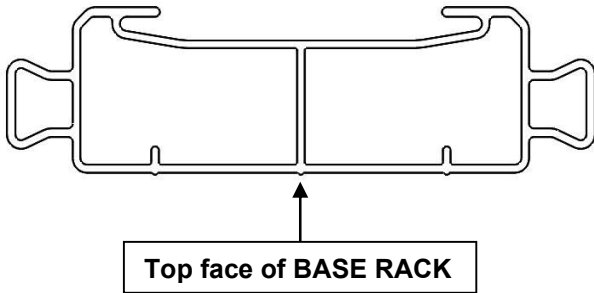
6. **Clean up excess sealant** on inside of van, if accessible.



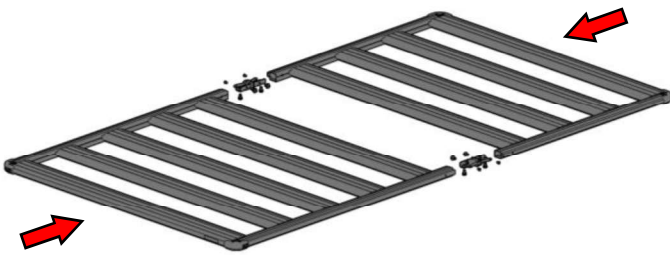
7. Using a tape measure, measure across the vehicle between the middle of the hole on the outside face of the front and rear set of mounting brackets. Make a note of each measurement.

Position	Distance
Front	
Rear	

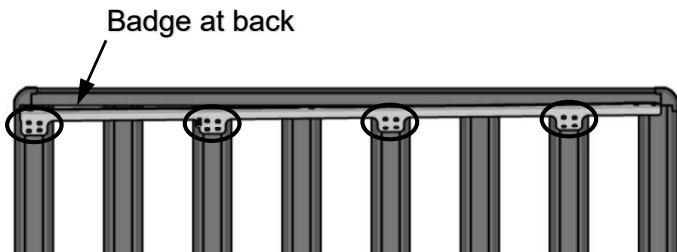
### STEP 3 – ASSEMBLE BASE RACK WITH BLADE BRACKETS



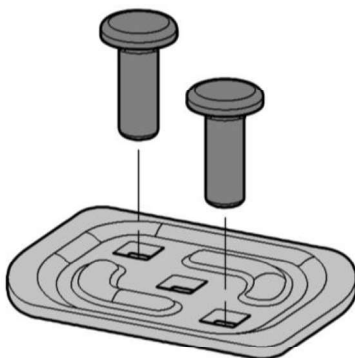
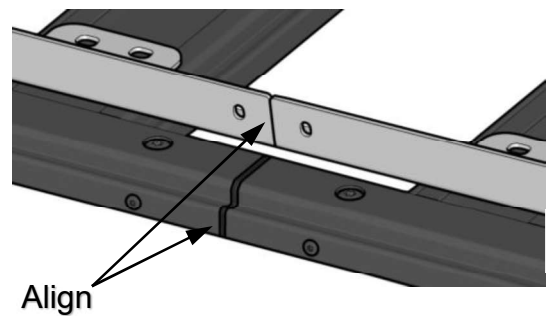
8. Place the BASE RACK halves face down on a clean flat surface. Provide protection to the top face of BASE RACK to avoid marking of surfaces



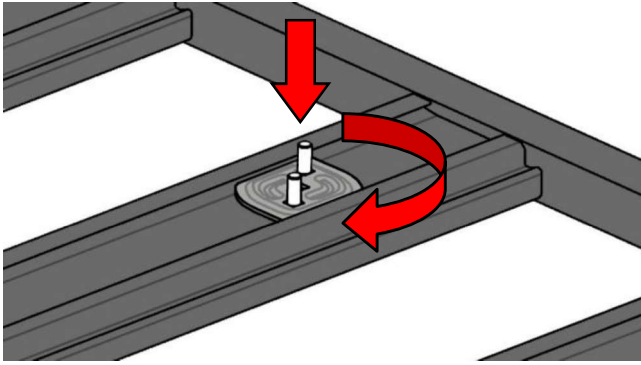
9. Assemble the two halves of the BASE RACK.  
*Refer to BASE RACK's fitting instructions for details.*



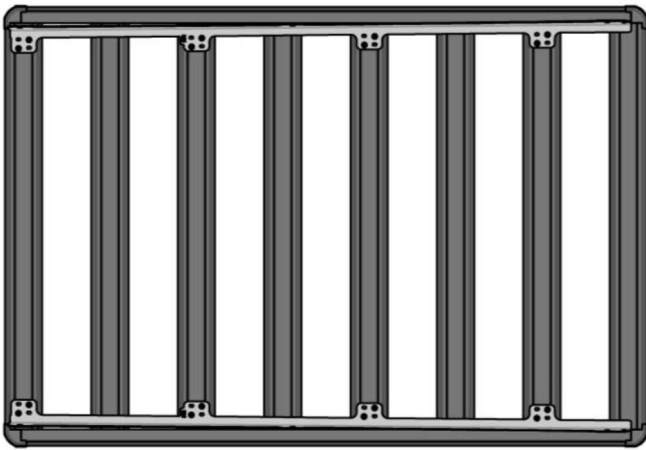
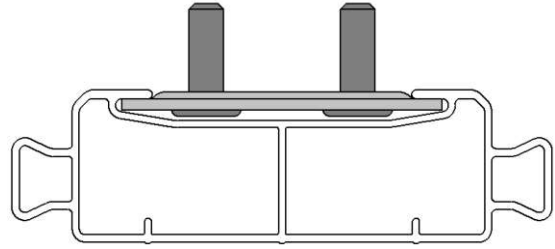
10. Check the position of the mounting plates (circled in image) on the blade brackets in relation to the channels on the BASE RACK.  
Align Blade bracket split with BASE RACK split.



11. Insert 2, M8 x 20 Studs into each of the Stud Plates as shown.



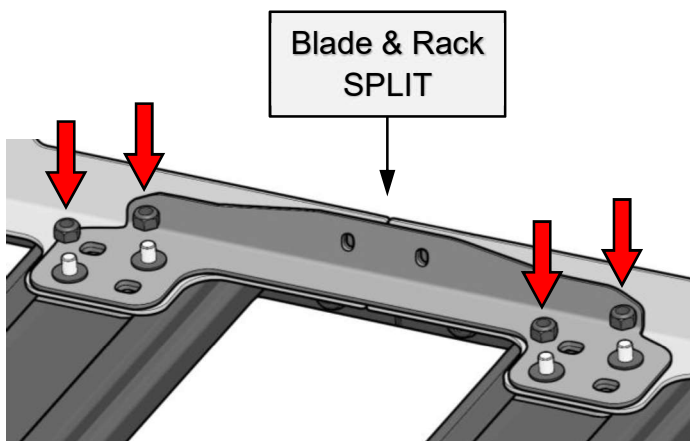
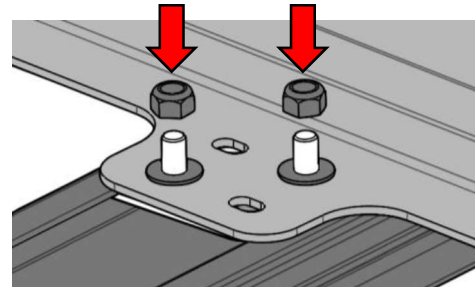
12. Insert the assembled stud plates into the correct BASE RACK channels. Rotate the plates 90 degrees.



13. Flip the blade brackets over so they are upside down and carefully place on top of the BASE RACK. Ensure the M8 studs go through the slots.

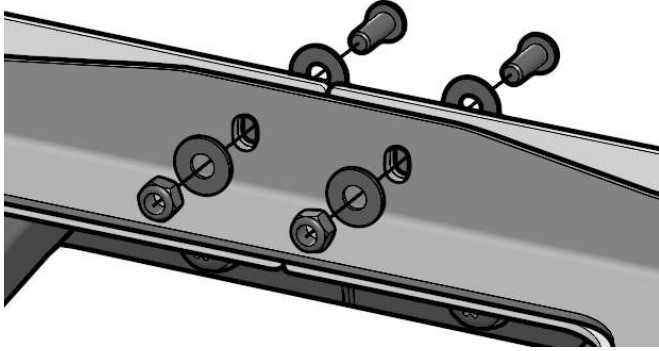
Secure the blade brackets to the BASE RACK using M8 flat washers and nyloc nuts.

Do not fully tighten, allowing each blade to move.



14. At the split, add a blade joiner on top of the Blade brackets, then secure blades and joiner to the BASE RACK using M8 flat washers and nyloc nuts.

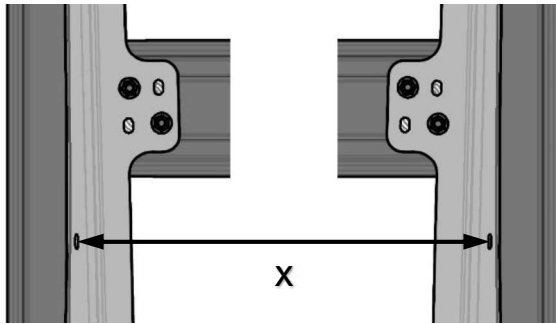
Do not fully tighten, allowing each blade to move.



15. Fasten the side of the blade joiners to the side of each half blade bracket using M6x16 button head screws, M6 flat washers and nyloc nuts.

Tighten M6 screws to specified torque.

 **Torque M6 to 9Nm**



16. Using the previously recorded measurements, adjust the location of the blade bracket on the BASE RACK.

Ensure the distance between the blade bracket and the edge of the tray is the same on both sides.

Fully tighten all M8 Nyloc nuts.

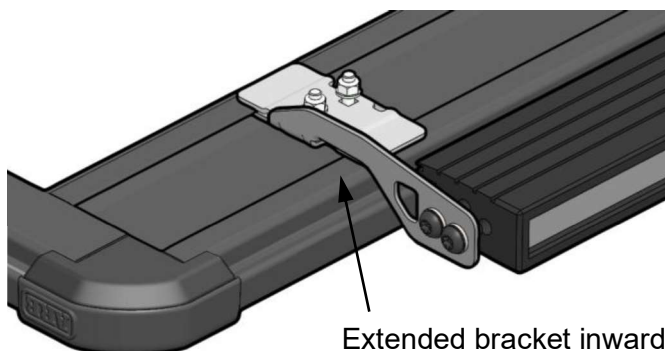
 **Torque M8 to 22Nm**

## STEP 4 – OPTIONAL: ASSEMBLE LIGHTBAR

If fitting a BASE RACK Light Bar in front of the rack, the Air Deflector will need to be modified.

**Modification** depends on Light Bar position, which itself **depends on assembly configuration (Barn doors or Tailgate) and position & type of antenna** (varies with vehicle models & year of release).

Note: Light bar can be fitted above the rack (no modification of the Air Deflector needed), but will not fit beneath.

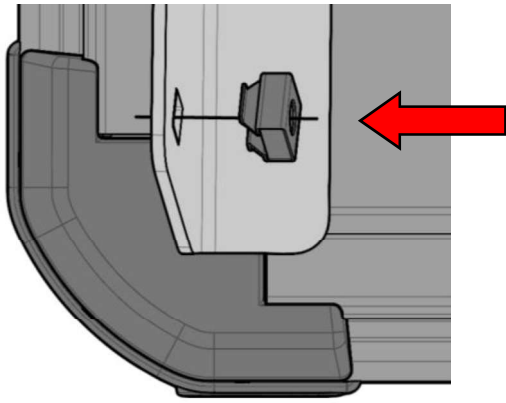


17. Install Light Bar with extended (forward) brackets mounted inward.

**Roughly offset Light Bar away from antenna.**

Tighten lightly, allowing Light Bar to move.

*Refer to the instructions provided with the BASE RACK light bar for details on installing the light bar.*

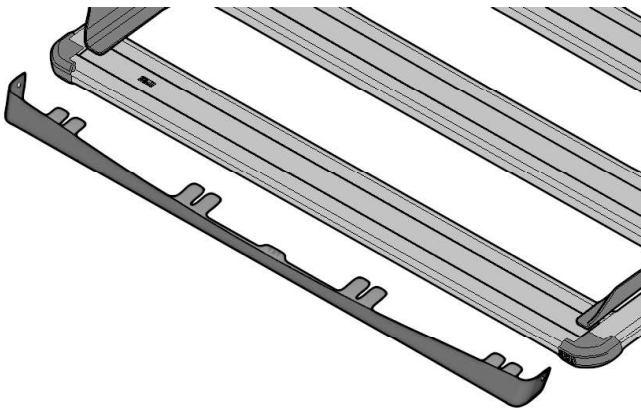


18. Install cage nuts in location shown.

Then **SKIP STEP 5.**

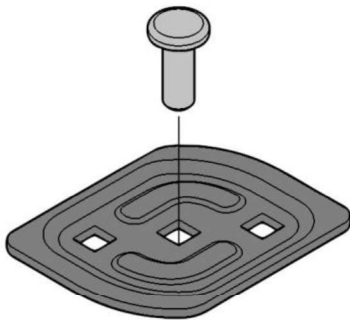
Air Deflector modifications and assembly will take place after BASE RACK installation to roof (after step 6).

## STEP 5 – ASSEMBLE AIR DEFLECTOR (without Light Bar)

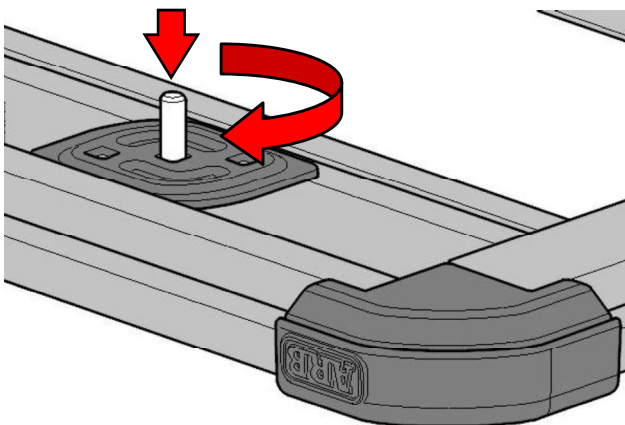


Note: Easier with BASE RACK upside down. Vehicle mount brackets should be fitted.

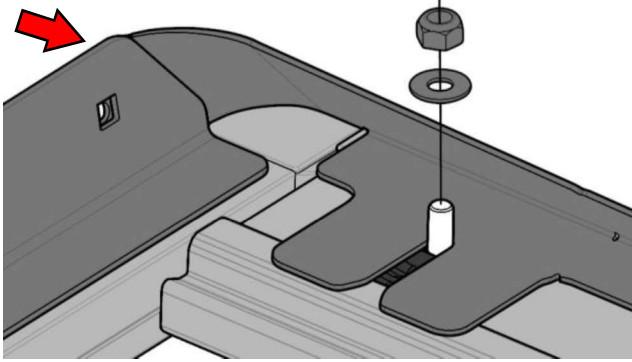
19. Lay the air deflector face down, parallel with the front of the BASE RACK. This will help determine the general position for the stud plates. Ensure the distance between the end of the deflector and outside of the tray is the same on both sides.



20. Insert one M8 x 20 Stud into each of the Stud Plates as shown.



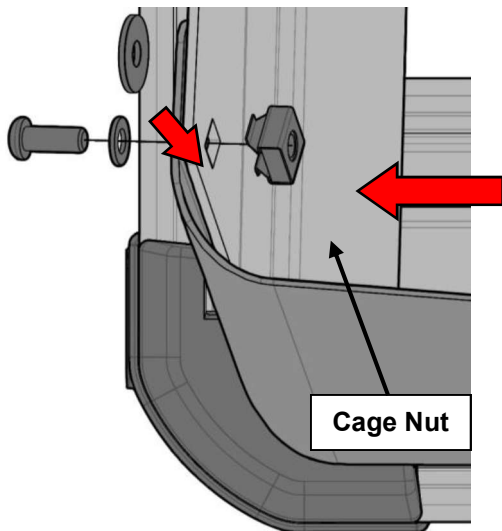
21. Flip the plate over and insert each of the 4 assembled stud plates into the front channel of the BASE RACK. Rotate 90 degrees and ensure the axis of the bolt lines up with the holes in the air deflector.



22. Attach the air deflector mounting slots to the stud plates with an M8 flat washer & nyloc nut.

Ensure the folded ends of the deflector are outside the ends of the blade brackets.

Leave nut loose enough to allow assembly to slide along channel.



23. Install cage nut in location shown.

Place the large M6 washer (4581082) between the blade and the air deflector (You can use tape to hold the washer in place) and secure using the remaining M6 Button head screws and small M6 washers (4584329), as shown.

24. Tighten all screws to specified torque.



Torque M8 to 22Nm



Torque M6 to 9Nm



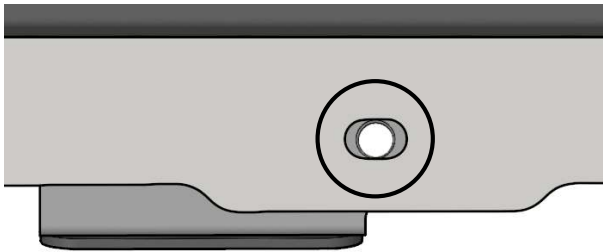
Air Deflector fitted without Light Bar

## STEP 6 – ASSEMBLE BASE RACK TO ROOF

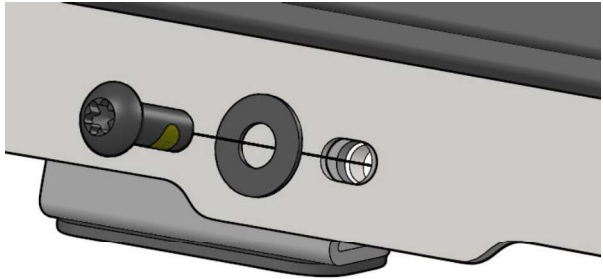


25. With assistance, carefully place the BASE RACK on the vehicle so the inside of the blade brackets rests on the outside of the mounting brackets. The entire BASE RACK assembly should be clear of the vehicle roof. All mounting holes/slots should align closely.

Note: Place protective material on roof to reduce the risk of accidental damage to vehicle.

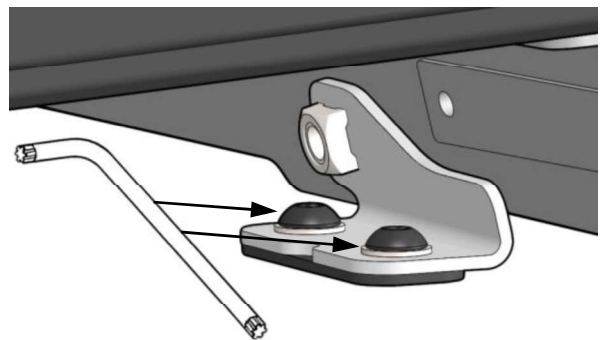


26. Confirm BASE RACK is correctly aligned to vehicle. If it is not, it is recommended to remove the BASE RACK from the vehicle roof and repeat the mounting process from the measurement step.



27. Use the M8 Button head Torx screws and M8 Black washers to secure the roof tray to the roof mounting brackets. Tighten all screws to the specified torque.

 Torque M8 to 22Nm



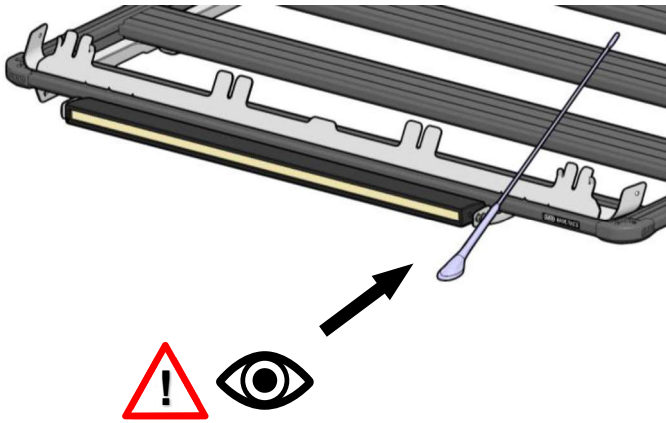
28. **If necessary**, loosen back mount brackets to realign them with the blade brackets.

Retighten screws to the specified torque.

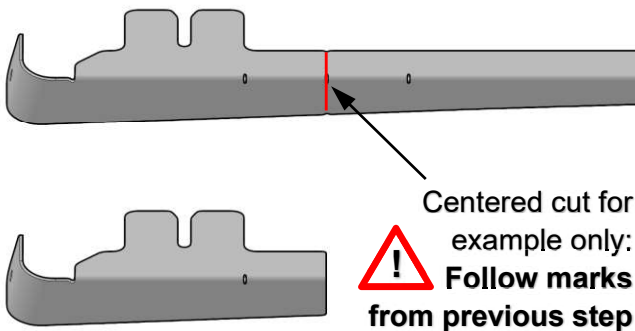
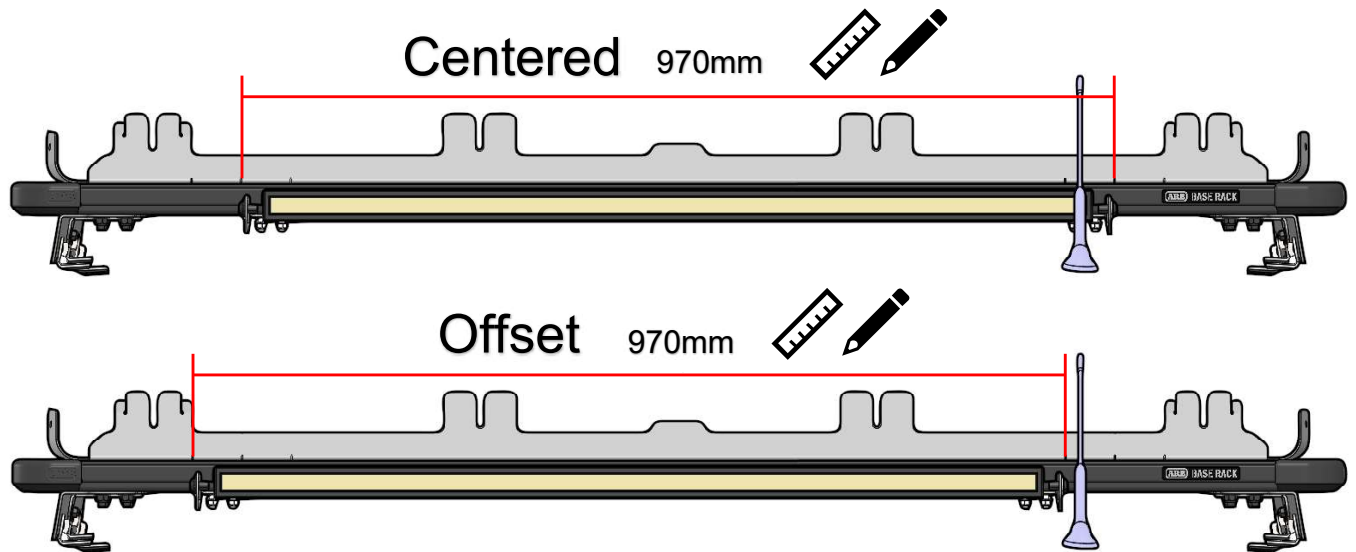
 Torque M8 to 22Nm



**OPTIONAL: WITH LIGHT BAR**  
**STEP 7 – MODIFY & ASSEMBLE AIR DEFLECTOR**



29. Move Light Bar in position:
  - Centered if it fits.
  - Offset from antenna if needed.
  - (~10mm from bracket to antenna)
30. Place the Air Deflector on top of the BASE RACK. Make sure it is centered.
31. From the outside of the Light Bar brackets, add **5mm** and mark the Air Deflector. Distance between marks should be 970mm.



32. -Cut the air deflector vertically **at marks from previous step.**
  - Discard the central part of the Air Deflector.
  - Remove any sharp edges and paint raw edges with black touch-up paint.



Air Deflector fitted with Light Bar (centered)

33. While leaving the BASE RACK on the roof of the vehicle, **FOLLOW STEP 5** and fasten the two Air Deflector halves to the BASE RACK.