



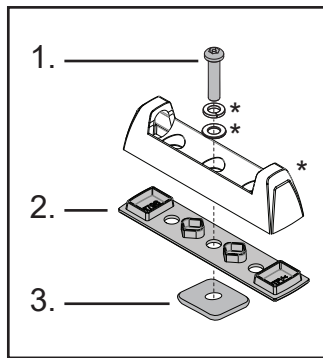
RHINO-RACK

CONTROLLED

QMFK04

***Note:**
RLT600 Parts as separate.

Apply Butyl Patches to the vehicle body concentric with the threaded hole. Fit the Flat and Spring washers from the RLT600 Leg Kit to the M6 x 25mm Security Screw. Fit the Rubber Base into the Quick Mount Leg base.



Please refer to 'Fit My Car' on the Rhino-Rack web site for comprehensive instructions on fitting racks to your vehicle.

Item	Component Name	Qty	Part No.
1	M6 x 25mm Security Screw	2	B137
2	RLT600 Rubber Base	2	M796
3	Butyl Patch	2	CA1397
4	Instructions	1	R796

Issue: 02 Document No: R796 Prepared by: Craig Jones



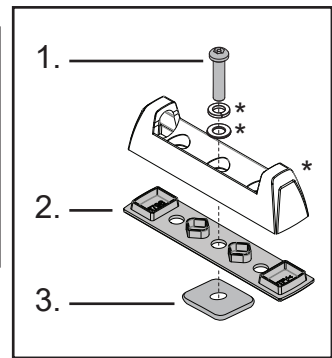
RHINO-RACK

CONTROLLED

QMFK04

***Note:**
RLT600 Parts as separate.

Apply Butyl Patches to the vehicle body concentric with the threaded hole. Fit the Flat and Spring washers from the RLT600 Leg Kit to the M6 x 25mm Security Screw. Fit the Rubber Base into the Quick Mount Leg base.



Please refer to 'Fit My Car' on the Rhino-Rack web site for comprehensive instructions on fitting racks to your vehicle.

Item	Component Name	Qty	Part No.
1	M6 x 25mm Security Screw	2	B137
2	RLT600 Rubber Base	2	M796
3	Butyl Patch	2	CA1397
4	Instructions	1	R796

Issue: 02 Document No: R796 Prepared by: Craig Jones



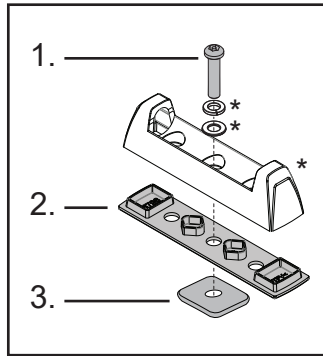
RHINO-RACK

CONTROLLED

QMFK04

***Note:**
RLT600 Parts as separate.

Apply Butyl Patches to the vehicle body concentric with the threaded hole. Fit the Flat and Spring washers from the RLT600 Leg Kit to the M6 x 25mm Security Screw. Fit the Rubber Base into the Quick Mount Leg base.



Please refer to 'Fit My Car' on the Rhino-Rack web site for comprehensive instructions on fitting racks to your vehicle.

Item	Component Name	Qty	Part No.
1	M6 x 25mm Security Screw	2	B137
2	RLT600 Rubber Base	2	M796
3	Butyl Patch	2	CA1397
4	Instructions	1	R796

Issue: 02 Document No: R796 Prepared by: Craig Jones



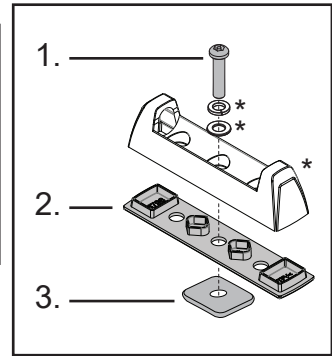
RHINO-RACK

CONTROLLED

QMFK04

***Note:**
RLT600 Parts as separate.

Apply Butyl Patches to the vehicle body concentric with the threaded hole. Fit the Flat and Spring washers from the RLT600 Leg Kit to the M6 x 25mm Security Screw. Fit the Rubber Base into the Quick Mount Leg base.



Please refer to 'Fit My Car' on the Rhino-Rack web site for comprehensive instructions on fitting racks to your vehicle.

Item	Component Name	Qty	Part No.
1	M6 x 25mm Security Screw	2	B137
2	RLT600 Rubber Base	2	M796
3	Butyl Patch	2	CA1397
4	Instructions	1	R796

Issue: 02 Document No: R796 Prepared by: Craig Jones



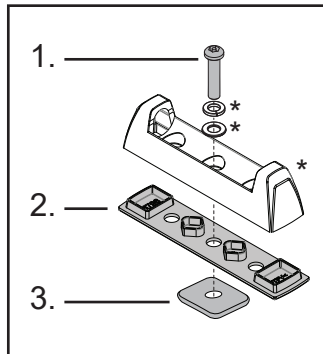
RHINO-RACK

CONTROLLED

QMFK04

***Note:**
RLT600 Parts as separate.

Apply Butyl Patches to the vehicle body concentric with the threaded hole. Fit the Flat and Spring washers from the RLT600 Leg Kit to the M6 x 25mm Security Screw. Fit the Rubber Base into the Quick Mount Leg base.



Please refer to 'Fit My Car' on the Rhino-Rack web site for comprehensive instructions on fitting racks to your vehicle.

Item	Component Name	Qty	Part No.
1	M6 x 25mm Security Screw	2	B137
2	RLT600 Rubber Base	2	M796
3	Butyl Patch	2	CA1397
4	Instructions	1	R796

Issue: 02 Document No: R796 Prepared by: Craig Jones



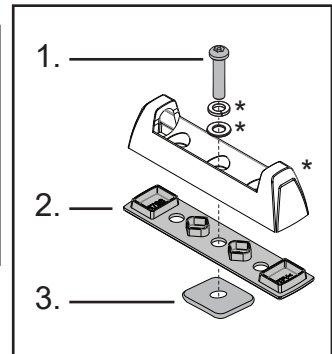
RHINO-RACK

CONTROLLED

QMFK04

***Note:**
RLT600 Parts as separate.

Apply Butyl Patches to the vehicle body concentric with the threaded hole. Fit the Flat and Spring washers from the RLT600 Leg Kit to the M6 x 25mm Security Screw. Fit the Rubber Base into the Quick Mount Leg base.



Please refer to 'Fit My Car' on the Rhino-Rack web site for comprehensive instructions on fitting racks to your vehicle.

Item	Component Name	Qty	Part No.
1	M6 x 25mm Security Screw	2	B137
2	RLT600 Rubber Base	2	M796
3	Butyl Patch	2	CA1397
4	Instructions	1	R796

Issue: 02 Document No: R796 Prepared by: Craig Jones