



# RHINO-RACK

Aerodynamic & Heavy Duty Roof Rack Systems

## Rhino Heavy Duty - Gutter Mount

Place these instructions in the vehicle's glove box after installation is complete.

**Important:** Please read these instructions carefully prior to installation. Please refer to your fitting instruction to ensure that the roof racks are installed in the correct locations. Check the contents of kit before commencing fitment and report any discrepancies.

### Parts List

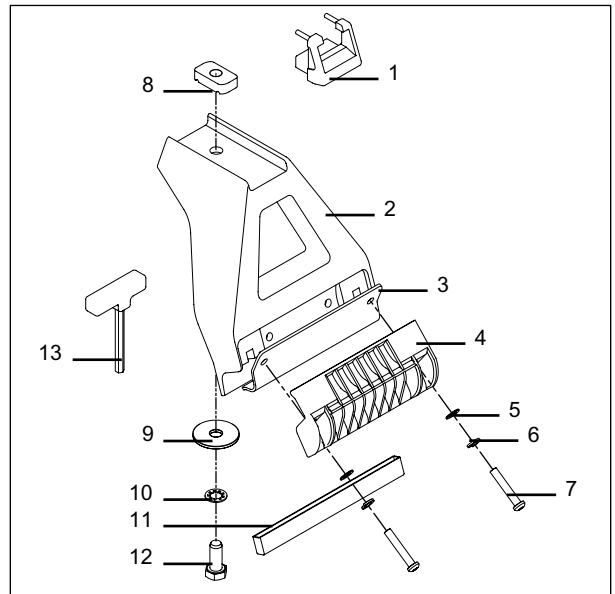
Item	Component Name	Qty.	Part No.
1	Heavy Duty End Cap	2	M002
2	Heavy Duty Leg	2	-
3	Heavy Duty Gutter Mount Strap	2	-
4	Heavy Duty Gutter Clamp	2	M003
5	M6 x 12.5mm Flat Washer	4	W003
6	M6 Spring Washer	4	W004
7	M6 x 35mm Button Head Security Screw	4	B092
8	M10 Channel Nut	2	N024
9	M10 x 30mm Flat Washer	2	W023
10	M10 Shakeproof Washer	2	W021
11	Heavy Duty Gutter Mount Rubber Foot	2	M053
12	M10 x 25mm Hex Bolt	2	B071
13	5mm Security Allen Key	1	H011 & H013
14	Fitting Instruction	1	RR03

### Care Instruction

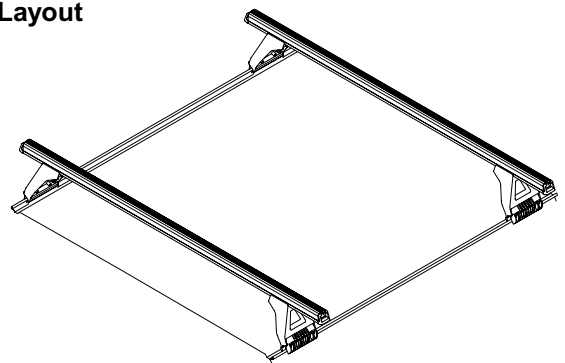
Wash and clean vehicle roof prior to fitting the Rhino Heavy Duty roof racks.

### Tools Required

5/8" Spanner  
 Rubber mallet  
 Security type allen key, provided in kit  
 Tape measure

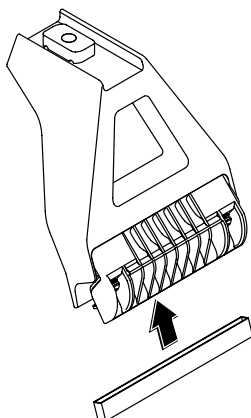


### Layout



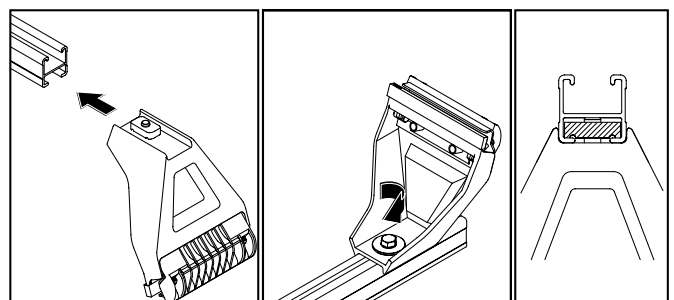
Loosen leg clamp screws. Install the rubber boot.

**1**



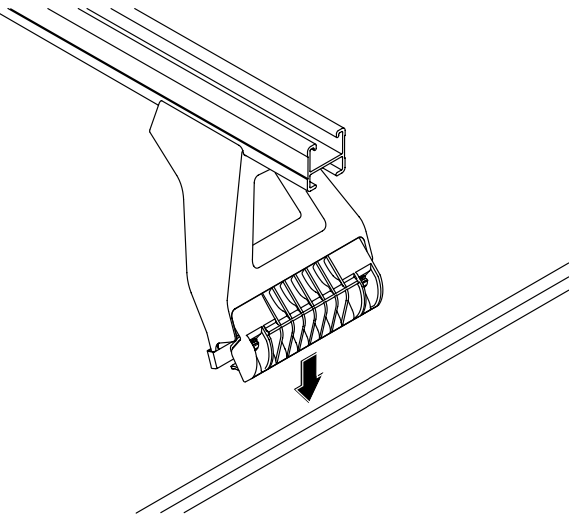
Install crossbar onto legs. Position legs at ends of crossbar. Push the leg attachment bolt up and turn the bolt so that the channel nut is fully located across the crossbar. Finger tighten attachment bolt as the legs will require adjustment when placed onto the vehicle.

**2**



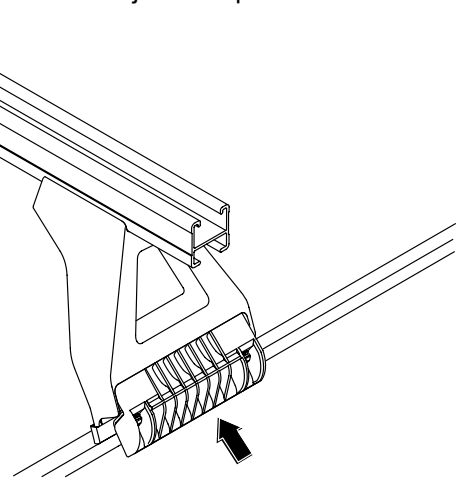
Place the crossbar and leg assembly onto the roof.

3



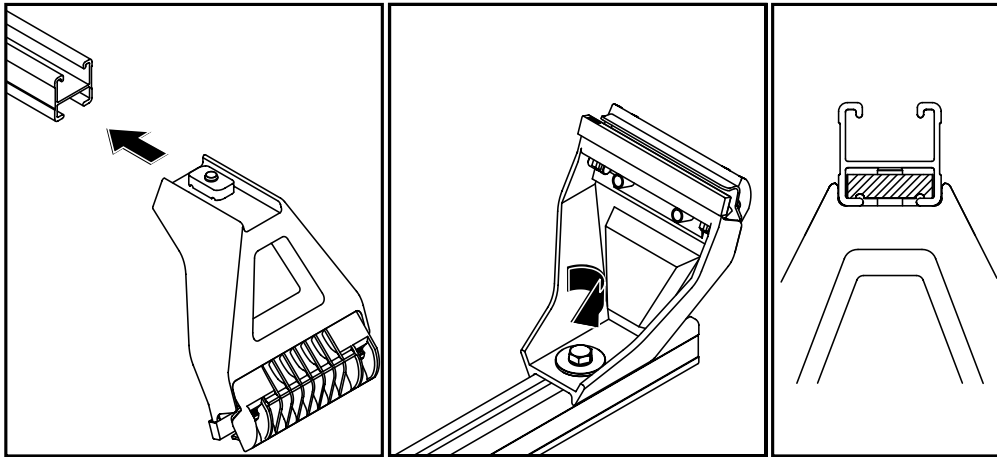
Adjust the legs so that the foot of the legs sits into the corner of the gutter. Ensure the crossbar overhang is equal on both sides. Re-adjust if required.

4



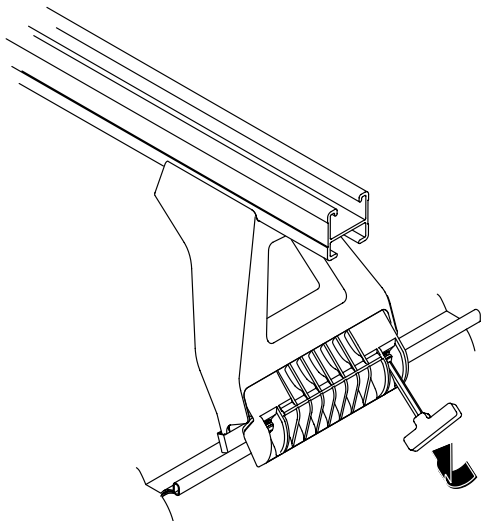
Hold the leg against the gutter corner and tighten the crossbar attachment bolt with 5/8" spanner to 4-5Nm. **Do not over tighten.** Check the channel nut is fully located across the crossbar after tightening. Rotate the clamp under the roof gutter lip, the clamp must be fully located into the corner of the gutter lip. Finger tighten clamp screws.

5



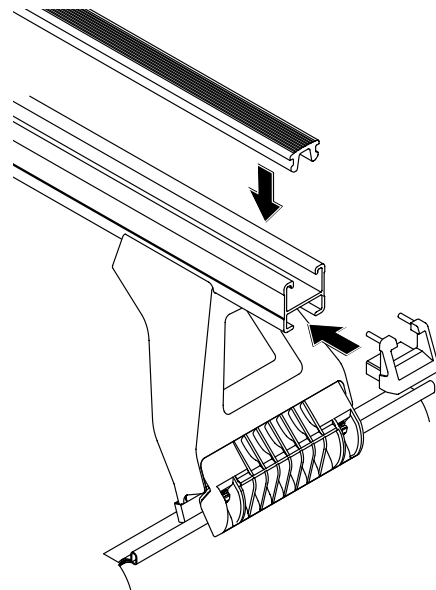
Progressively tighten lower clamp screws to secure the roof rack to the gutter. Repeat the tightening process on the other side of the vehicle. Tighten security bolts to 3-4Nm.

6



Insert the end caps and rubber buffer into the crossbar using a rubber mallet. Check all attachment bolts and screws after fitment.

7



## Important Information

### RECOMMENDATIONS

Please refer to your vehicle manufacturers operating manual for maximum roof load rating.

It is essential that all bolt connections be checked after driving a short distance when you first install your Rhino Heavy Duty Crossbars.

Bolt connections should be checked again at regular intervals (probably once a week is enough, depending on road conditions, usage, loads and distances travelled). You should also check the roof bars each time they are refitted.

Crossbars and accessories should be cleaned and all screw threads should be lubricated at regular intervals.

Rhino-Rack offers a 3 year warranty to the original purchaser of the Rhino Heavy Duty roof rack system and Accessories.

Rhino-Rack cannot be held responsible for incorrect mounting of the roof rack system or for usage that exceeds vehicle and production tolerances.

Make sure to fasten your load securely.

Please ensure that all loads are evenly distributed and that the centre of gravity is kept as low as possible.

### USE ONLY NON-STRETCH FASTENING ROPES OR STRAPS.

### SENSITIVITY TO CROSSWINDS, BEHAVIOUR IN CURVES AND BRAKING

The handling characteristics of the vehicle change when you transport a load on the roof. For safety reasons, we recommend you exercise extreme care when transporting wind-resisting loads; special consideration must be taken into account when braking.

### PLEASE REMOVE CROSSBARS WHEN PUTTING VEHICLE THROUGH AN AUTOMATIC CAR WASH

### LOAD RATINGS

The vehicle manufactures recommended load rating is the maximum permissible load per pair of roof racks (include the weight of the roof rack, 5kg). When roof bars are to be used in extreme off-road conditions please build a safety factor of 1.5 into this maximum load limit. Although roof bars are tested and approved to AS1235-2000, Australian road conditions can be much more rigorous.

### NOTE FOR FITTERS AND DEALERS

It is your responsibility to ensure instructions are given to the end user or client.

Rhino-Rack

3 Pike Street, Rydalmere,  
NSW 2116, Australia.

(Ph) (02) 9638 4744 (Fax) (02) 9638 4822

Document No: RR-03

Prepared By: Sheila Eik

Authorised By: Gary England

Issue No: 04

Issue Date: 11/02/2005

These instructions remain the property of Fetovu Pty Ltd T/as Rhino-Rack and may not be used or changed for any other purpose than intended.