

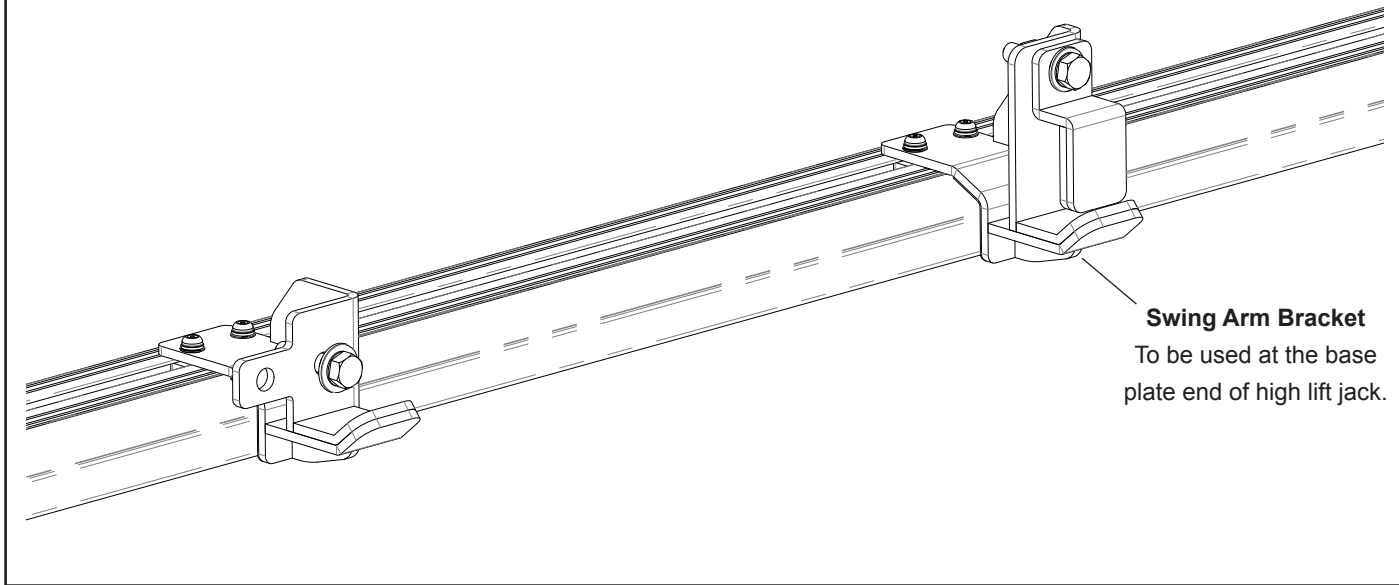


RHINO-RACK

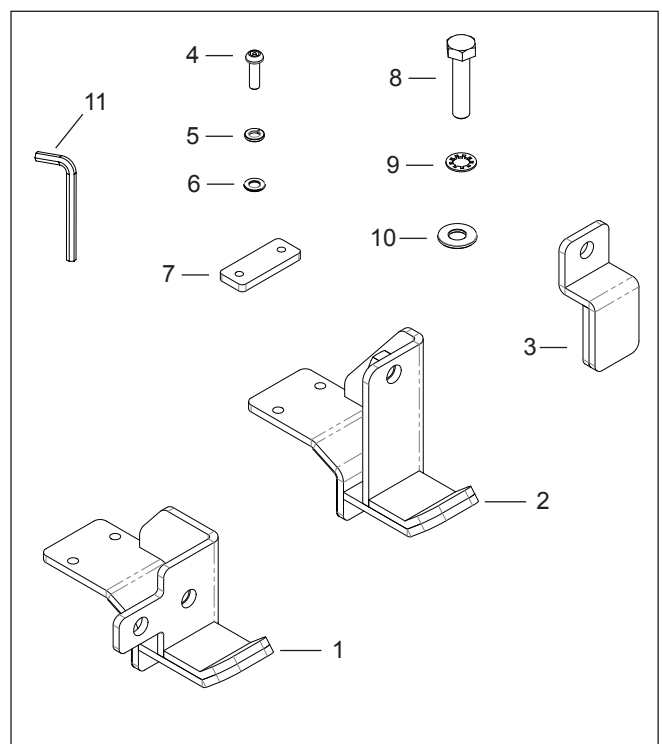
43101 - Rhino Pioneer Jack Holder Bracket

Place these instructions in the vehicle's glove box after installation is complete.

Important: Please read these instructions carefully prior to installation.
Please refer to your fitting instruction to ensure that the alloy tray is installed correctly.
Check the contents of this kit before commencing fitment and report any discrepancies.



Item	Component Name	Qty	Part No.
1	Holder Bracket - Bolt Type	1	C767
2	Holder Bracket - Clamp Type	1	C768
3	Swing Clamp	1	C769
4	M6 x 20mm Security Screw	4	B062
5	M6 Spring Washer	4	W004
6	M6 x OD12.5mm Flat Washer	4	W003
7	M6 Plate Nut	2	C838
8	M10 x 45mm Hex Bolt	2	B080
9	M10 Shakeproof Washer	2	W021
10	M10 x OD21mm Flat Washer	2	W005
11	Security Allen Key 5mm	1	H034
12	Fitting Instructions	1	RS-451



Care Instruction

Clean alloy tray prior to fitting the jack holder brackets.

Tools Required

Allen Key (provided in kit)
16mm Spanner

Rhino-Rack
3 Pike Street, Rydalmere,
NSW 2116, Australia.
(Ph) (02) 9638 4744
(Fax) (02) 9638 4822

Document No: RS-451
Prepared By: Andy Wana
Authorised By: Chris Murty

Issue No: 05
Issue Date: 29/04/2012

These instructions remain the property of Rhinorack Australia Pty Ltd and may not be used or changed for any other purpose than intended.

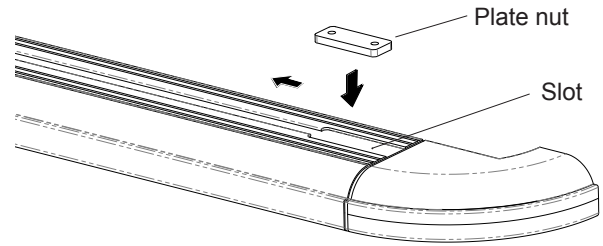


43101 - Rhino Pioneer Jack Holder Bracket

1 Insert Plate Nuts into Alloy Tray

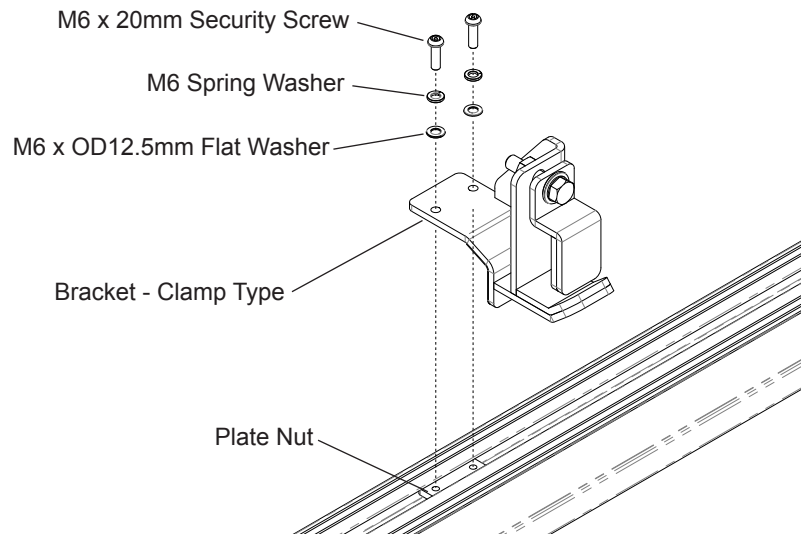
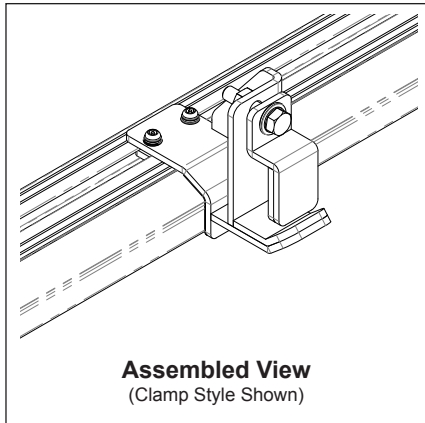
Insert the plate nuts into the slot at the front of the Alloy Tray and slide each nut to the desired mount location.

Note: Jack must be fitted to the **Rear Left** of tray (with base plate of jack at rear) or **Front Right** of tray (with base plate of jack at front). This provides the correct orientation for the jack to be transported in a safe and secure manner.



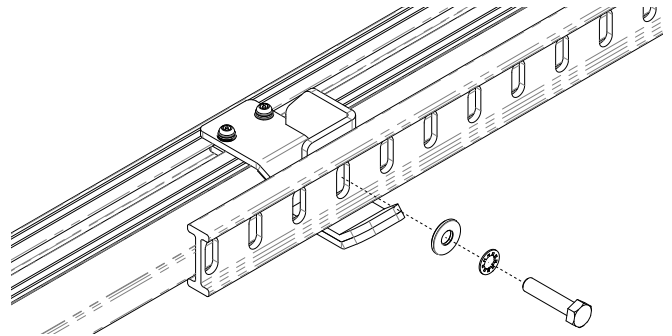
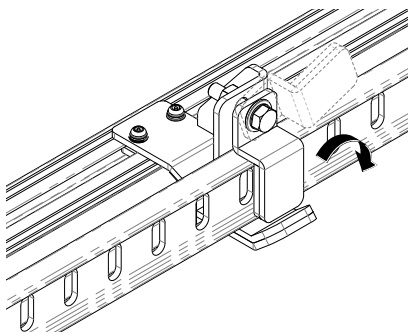
2 Fit Jack Holder Brackets to Alloy Tray

Fit the jack holder brackets to alloy tray using the hardware shown below. Repeat this process for both the bolt type and clamp type brackets. Fasten securely using the allen key provided in the kit (**tighten to 6-8Nm**).



3 Fit Jack to Jack Holder Brackets

Place the high lifting jack on the jack holder brackets and allow the swing clamp to rotate down over the jack as shown. Tighten the swing clamp bolt with your fingers to retain the jack while you fix the other end. Insert the bolt hardware through the jack and fasten to the jack holder bracket as shown below right. Tighten both bolts securely with a 16mm spanner (**tighten to 17-19 Nm**)



4 Padlock Fitment (Optional)

Jack can be secured with a padlock as shown in image below.

