



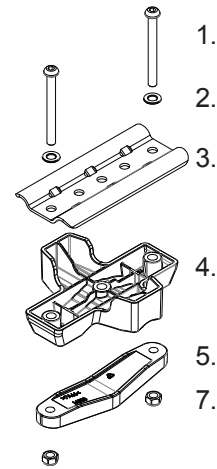
RHINO-RACK

CONTROLLED

43216 - X-Tray Bracket Set for Stealth Bar.

Parts List

Item	Component Name	Part No.	Qty
1	M6 x 60mm Socket Head Cap Screw	B122	8
2	M6 x 12.5mm Flat Washer	W003	8
3	Top Plate	SP046	4
4	Universal Top Pad	CA1418	4
5	Lower Clamp	M530	4
7	M6 Nyloc Nut	N013	8
8	Instructions	R964	1



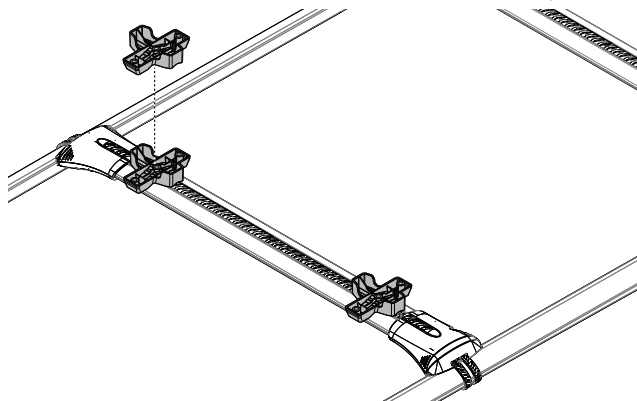
Note: For use Rhino-Rack XTrays RMCB01/02.

Tools Required:

5mm Allen Key (provided in XTray Kit)

Instructions

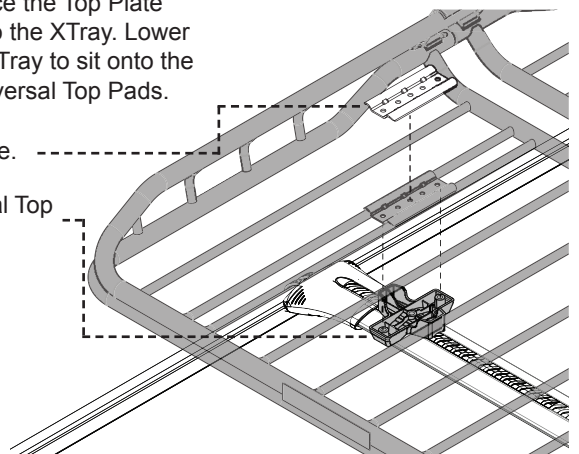
- 1** Place the Universal Top Pad onto the Stealth Bars in the approximate area required to seat the XTray.



- 2** Place the Top Plate onto the XTray. Lower the Tray to sit onto the Universal Top Pads.

Top Plate. -----

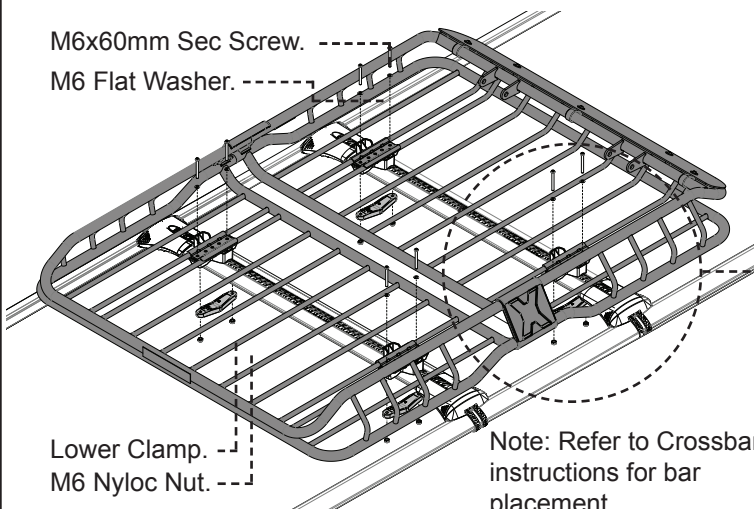
Universal Top Pad. -----



- 3** Place the XTray onto your roof racks, adjusting bracket position so the Assembly sits evenly on top of the racks. Place the Lower Clamp on the underside of the crossbar. Fix in place with hardware provided. Check fixtures are tight before use. Ensure it is evenly spaced.

M6x60mm Sec Screw. -----

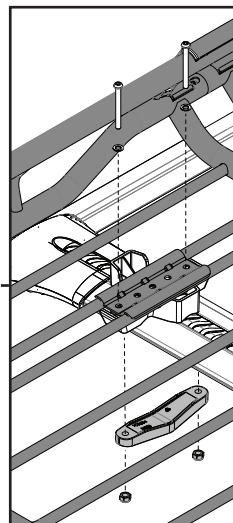
M6 Flat Washer. -----



Lower Clamp. -----

M6 Nyloc Nut. -----

Note: Refer to Crossbar instructions for bar placement.

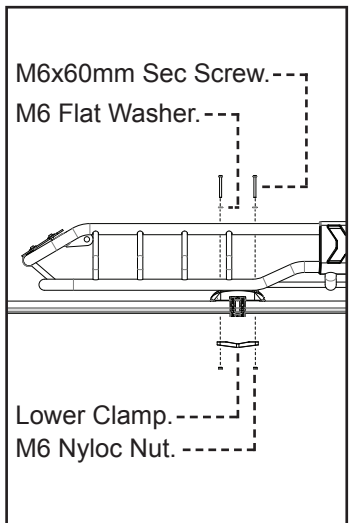


M6x60mm Sec Screw.-----

M6 Flat Washer.-----

Lower Clamp.-----

M6 Nyloc Nut.-----



3 Pike Street, Rydalmere,
NSW 2116, Australia.
(Ph) (02) 9638 4744
(Fax) (02) 9638 4822

Document No: R964
Prepared By: Kayle Everett
Authorised By: Chris Murty

Fit Time: 5min
Issue No: 01
Issue Date: 29/02/16

These instructions remain the property of RhinoRack Australia Pty. Ltd. and may not be used or changed for any other purpose than intended.