



RHINO-RACK

Aerodynamic & Heavy Duty Roof Rack Systems

RSWH Rhino Heavy Duty - Spare Wheel Holder

Place these instructions in the vehicle's glove box after installation is complete.

Important: Please read these instructions carefully prior to installation. Please refer to your fitting instruction to ensure that the roof racks are installed in the correct locations. Check the contents of kit before commencing fitment and report any discrepancies.

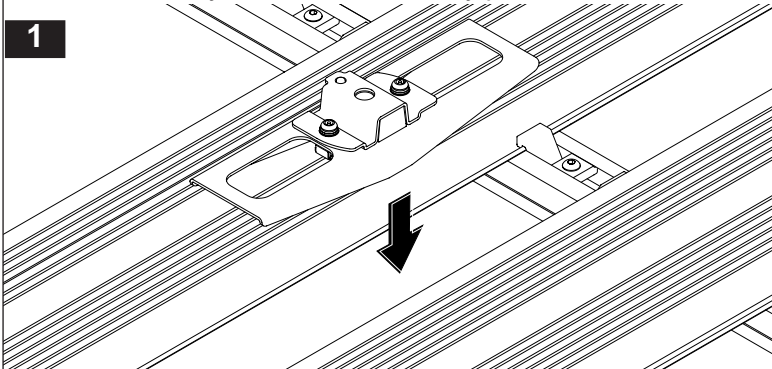
Parts List

Item	Component Name	Qty.	Part No.
1	M12 Bar	1	C308
2	Top Tensioning Plate	1	M151
3	Wheel Cone	1	M152
4	M12 Nyloc Nut	1	N034
5	M6 x 20mm Button Head Security Screw	2	B062
6	M6 Spring Washer	2	W004
7	M6 x 12.5mm Flat Washer	2	W003
8	Upper Bracket	1	C309
9	M12 Channel Nut	1	N012
10	M12 Channel Nut Retainer Block	1	M149
11	Lower Bracket	1	C304
12	5mm Allen Key & Handle	1	H011 & H013
13	Fitting instruction	1	RR108

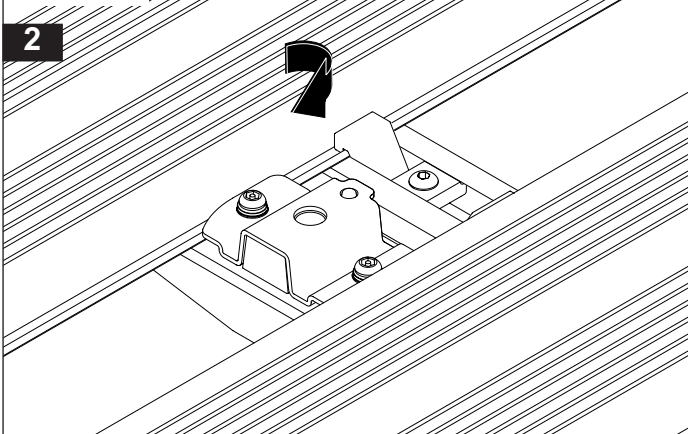
Please Note

This fitting instruction applies to both Rhino Sportz and Rhino Heavy Duty Alloy Trays.

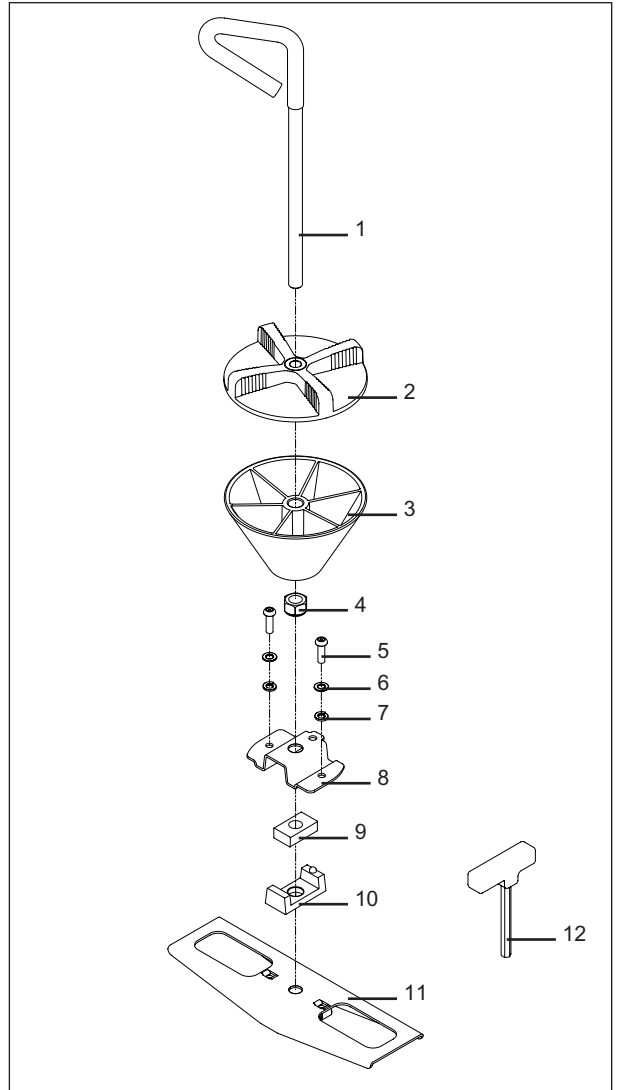
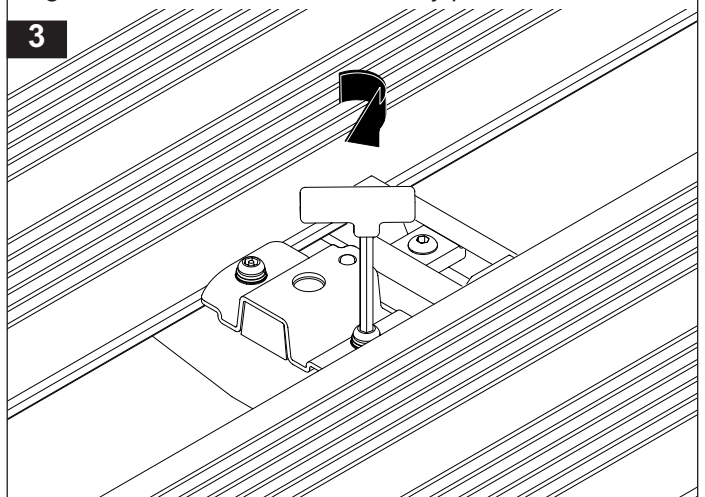
Select a position in the roof tray where the spare wheel lower mounting bracket will sit close to the crossbar. Insert the bracket assembly between the roof tray planks.



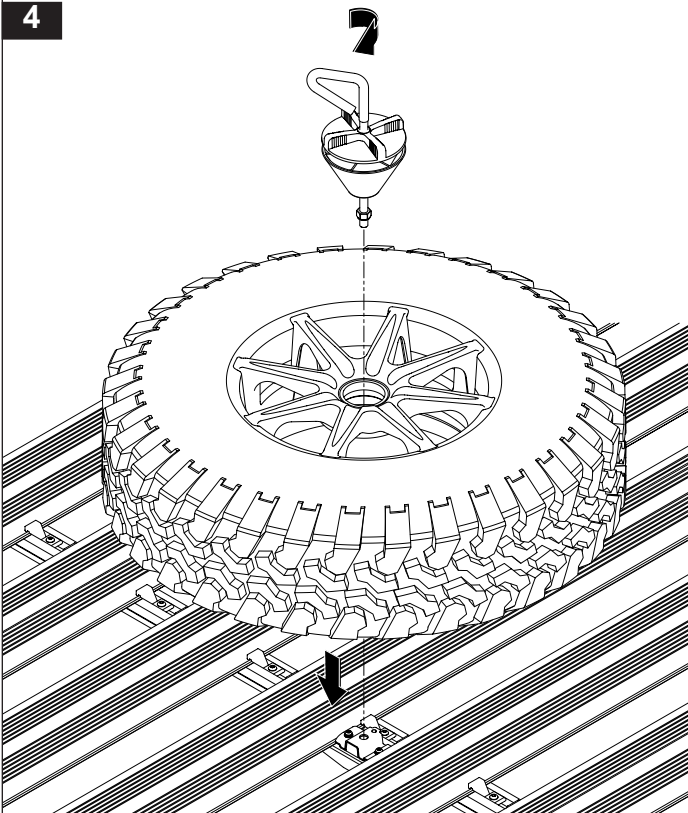
Turn the bracket at right angles (90 degrees) to the planks. Tabs on the bracket must engage in the plank extrusion.



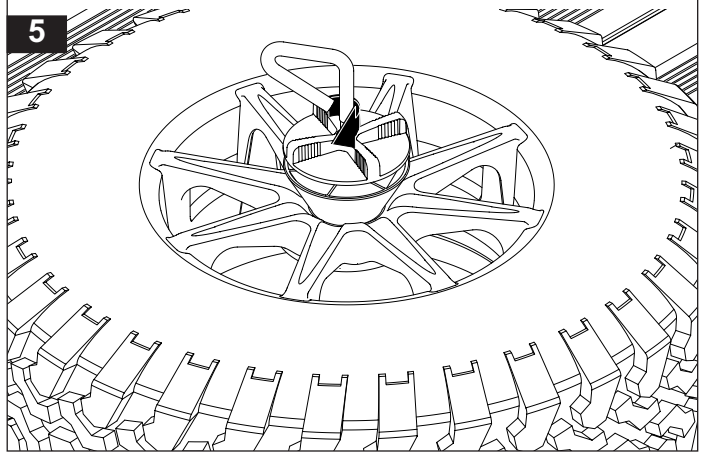
Tighten the screw with the allen key provided to 4-5Nm.



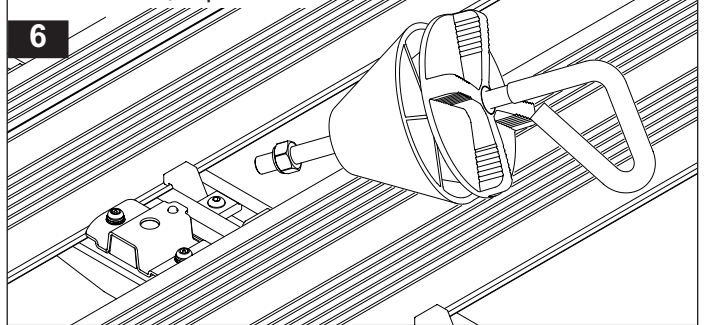
Place the spare wheel over the bracket with the wheel center hole in line with the threaded hole in the bracket. Insert the wheel clamp assembly into the wheel center and screw the center bolt into the lower bracket. Screw in the center bolt until it stops. **Do not over tighten.**



Screw down the clamp plate until the wheel is tight.



When removing the spare wheel, the bracket assembly can be left on the roof tray, store the wheel clamp in a safe place. Note: When the wheel clamp assembly is removed nut must be 20mm from the end of the threaded handle if not, reposition.



Important Information

RECOMMENDATIONS

Please refer to your fitting instruction to ensure that the Rhino Heavy Duty roof racks are installed in the correct locations.

The vehicle's roof load rating may be less than the Rhino Heavy Duty roof rack load rating.

It is essential that all screw/bolt connections are checked after driving a short distance when you first install your Rhino-Rack. Screw/bolt connections should be checked again at regular intervals (probably once a week is enough, depending on road conditions, usage, loads and distances travelled). You should also check the Roof Racks each time they are refitted.

Roof Racks and accessories should be cleaned and all screw threads should be lubricated at regular intervals. This will help avoid damage to your vehicles paint surface. Always clean the vehicle roof and the mounting brackets before fitting the roof bars.

Rhino-Rack offers a 3 year warranty to the original purchaser of Rhino Roof Rack Systems and Accessories. Rhino-Rack cannot be held responsible for incorrect mounting of the roof racks or for usage that exceeds production tolerances.

Make sure to fasten the load securely. Please ensure that all loads are evenly distributed and that the centre of gravity is kept as low as possible.

USE ONLY NON-STRETCH FASTENING ROPES AND STRAPS

SENSITIVITY TO CROSSWINDS, BEHAVIOUR IN CURVES AND BRAKING

The handling of the car changes when you transport a load on the roof.

For safety reasons, we recommend you exercise extreme care when transporting wind resistant loads.

Special consideration must be taken into account when braking.

PLEASE REMOVE ROOF RACKS WHEN PUTTING VEHICLE THROUGH AUTOMATIC CAR WASH

LOAD RATINGS

Refer to Alloy Tray fitting instructions.

NOTE FOR DEALERS AND FITTERS

It is your responsibility to ensure instructions are given to the end user or supplier.

Rhino-Rack
3 Pike Street, Rydalmere,
NSW 2116, Australia.
(Ph) (02) 9638 4744 (Fax) (02) 9638 4822

Document No: RR-108
Prepared By: Sheila Oliveira
Authorised By: Gary England

Issue No: 02
Issue Date: 23/03/2004

These instructions remain the property of Fetovu Pty Ltd T/as Rhino-Rack and may not be used or changed for any other purpose than intended.