



RHINO-RACK

RWLB - Crossbar Work Light Bracket

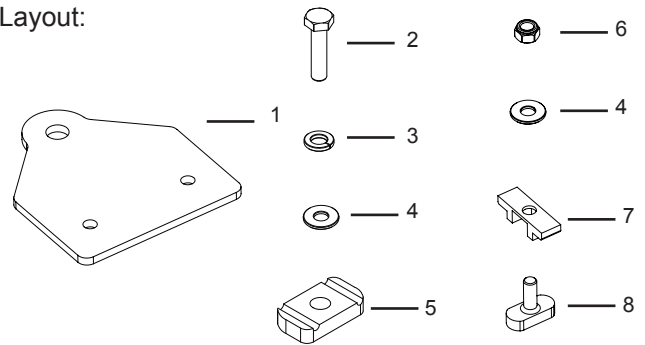
Place these instructions in the vehicle's glove box after installation is complete.

Important: Please read these instructions carefully prior to installation. Please refer to your fitting instruction to ensure that the roof racks are installed in the correct locations. Check the contents of kit before commencing fitment and report any discrepancies.

Parts List

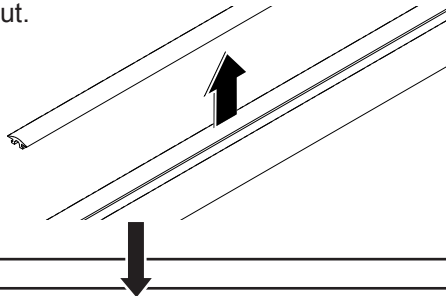
Item	Component Name	Qty	Part No
1	Work Light Bracket	1	A118
2	M6 x 25mm Hex Bolt	2	B067
3	M6 Spring Washer	2	W004
4	M6 x 16 Flat Washer	2	W031
5	M6 Channel Nut	2	N002
6	M6 Nyloc Nut	2	N013
7	T Bolt Tab	2	M086
8	M6 T Bolt	2	B089
9	Fitting Instructions	1	R998

Layout:

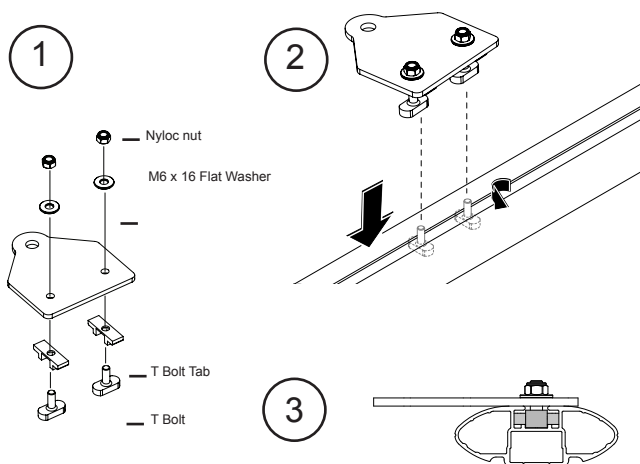


Vortex/Sportz Fitment

Remove the rubber buffer strip from the bar as this will have to be cut.

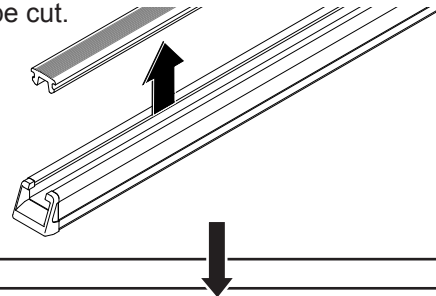


Assemble hardware and light bracket as detailed below. Insert the T-Bolts into the channel parallel with the crossbar. Rotate the T-Bolts 90° inside the crossbar recess. Place the Locking Tab over the T-Bolts. Adjust to desired position and tighten bolt securely (2-3 Nm).

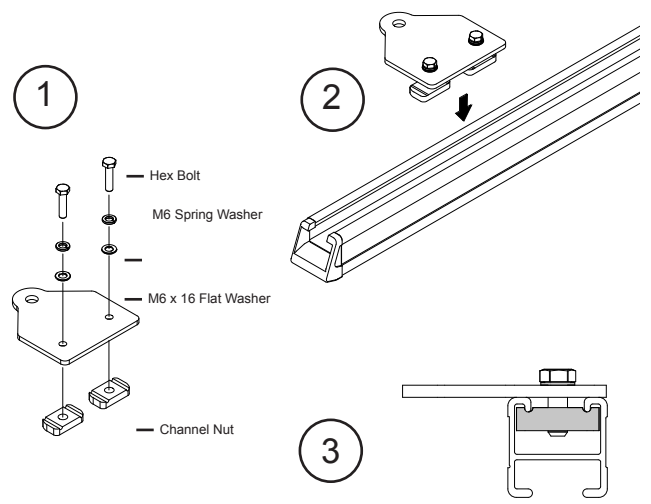


Heavy Duty Fitment

Remove the rubber buffer strip from the bar as this will have to be cut.



Assemble hardware and light bracket as detailed below. Locate the channel nuts into the crossbar recess, turn the bolt so that the channel nut rotates and locates as shown. Adjust to desired position and tighten bolt securely (2-3 Nm).

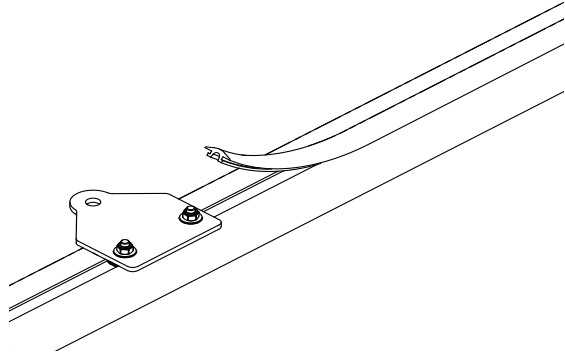




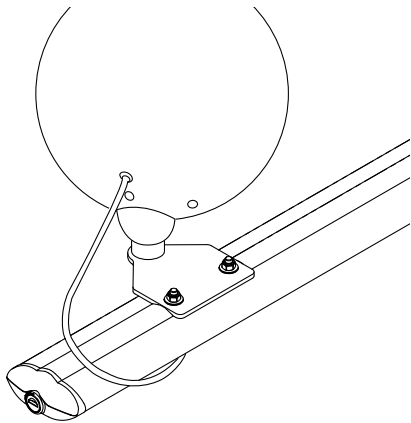
RWLB - Crossbar Work Light Bracket

Vortex/Sportz Fitment

Cut the rubber buffer strip to suit and insert back into the channel as indicated. You will need to insert the buffer strip on either side of the light bracket.

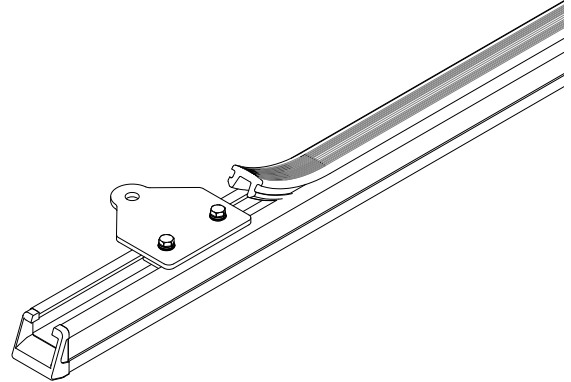


Mount work light onto the bracket.

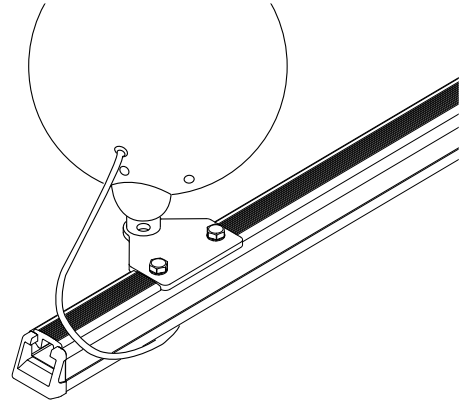


Heavy Duty Fitment

Cut the rubber buffer strip to suit and insert back into the channel as indicated. You will need to insert the buffer strip on either side of the light bracket.



Mount work light onto the bracket.



Rhino-Rack
3 Pike Street, Rydalmere,
NSW 2116, Australia.
(Ph) (02) 9638 4744 (Fax) (02) 9638 4822

Document No: R998
Prepared By: Peter Luu
Authorised By: Chris Murty

Issue No: 01
Issue Date: 26/04/2016

These instructions remain the property of Rhino-Rack Australia Pty Ltd and may not be used or changed for any other purpose than intended.