

ARB AIR LOCKER *Air Operated Locking Differentials*

RD87 Suzuki Jimny,FR,22 SPL,8 bolt RG

Specs:

Axle Spline	22 tooth, Ø23.9mm [0.94"]
Ratio Supported	All
Ring Gear ID	108.0mm [4.25"]
Ring Gear Bolts	8 bolts on Ø130mm [5.12"]
Ring Gear Torque	85Nm [63 ft-lb]
Backlash	0.10-0.20mm [0.004-0.008"]
Bearing Cap Torque	50Nm [37 ft-lb]

ITEM #	QTY	DESCRIPTION	PART #	NOTES
01	1	FLANGE CAP	023702	
02	1	CLUTCH GEAR	050701	
03	1	DIFFERENTIAL CASE	012804	
04	4	RETURN SPRING	150107	
05	3	CROSS SHAFT RETAINING PIN	120403	
06	1	LONG CROSS SHAFT	060106	
07	2	SHORT CROSS SHAFT	060306	
08	1	PISTON	040801	
09	1	U-RING	160306	
10	1	CYLINDER CAP ASSEMBLY	031303	
11	8	CYLINDER CAP RETAINING BOLT	200211	
12	8	LOCKING TAB (6mm)	150402	
13	1	TAPERED ROLLER BEARING	NOT SUPPLIED	
14	1	CLAMPING PLATE	090401	
15	1	SPLINED SIDE GEAR	SEE NOTE	2
16	4	PINION THRUST WASHER	151108	
17	4	PINION GEAR	SEE NOTE	2
18	1	SPIDER BLOCK	070701	
19	1	SIDE GEAR	SEE NOTE	2
20	2	SIDE GEAR THRUST WASHER	151008	
21	1	ADJUSTER NUT	100601	
22	1	SEAL HOUSING	081401	
23	2	SEAL HOUSING O-RING	160208	1
24	3	SEAL HOUSING SCREW	200502	
*	1	RING GEAR SPACER	190103	
*	1	BULKHEAD FITTING KIT (O-RING TYPE)	170111	
*	1	PUSH-IN FITTING (5mm to 1/8"BSPP)	170201	
*	1	NIPPLE (1/8" to 1/8" BSPT)	170501	
*	1	AIR LINE (5mm DIA X 6m LONG)	170301	
*	1	SOLENOID VALVE (12V)	180103	
*	1	SWITCH	180209	
*	1	SWITCH COVER (FRONT)	180210	
*	10	CABLE TIE	180301	
*	1	WARNING LABEL	210101	
*	1	BUMPER STICKER	210102	
*	1	OPERATING & SERVICE MANUAL	210200	
*	1	INSTALLATION GUIDE	210287	

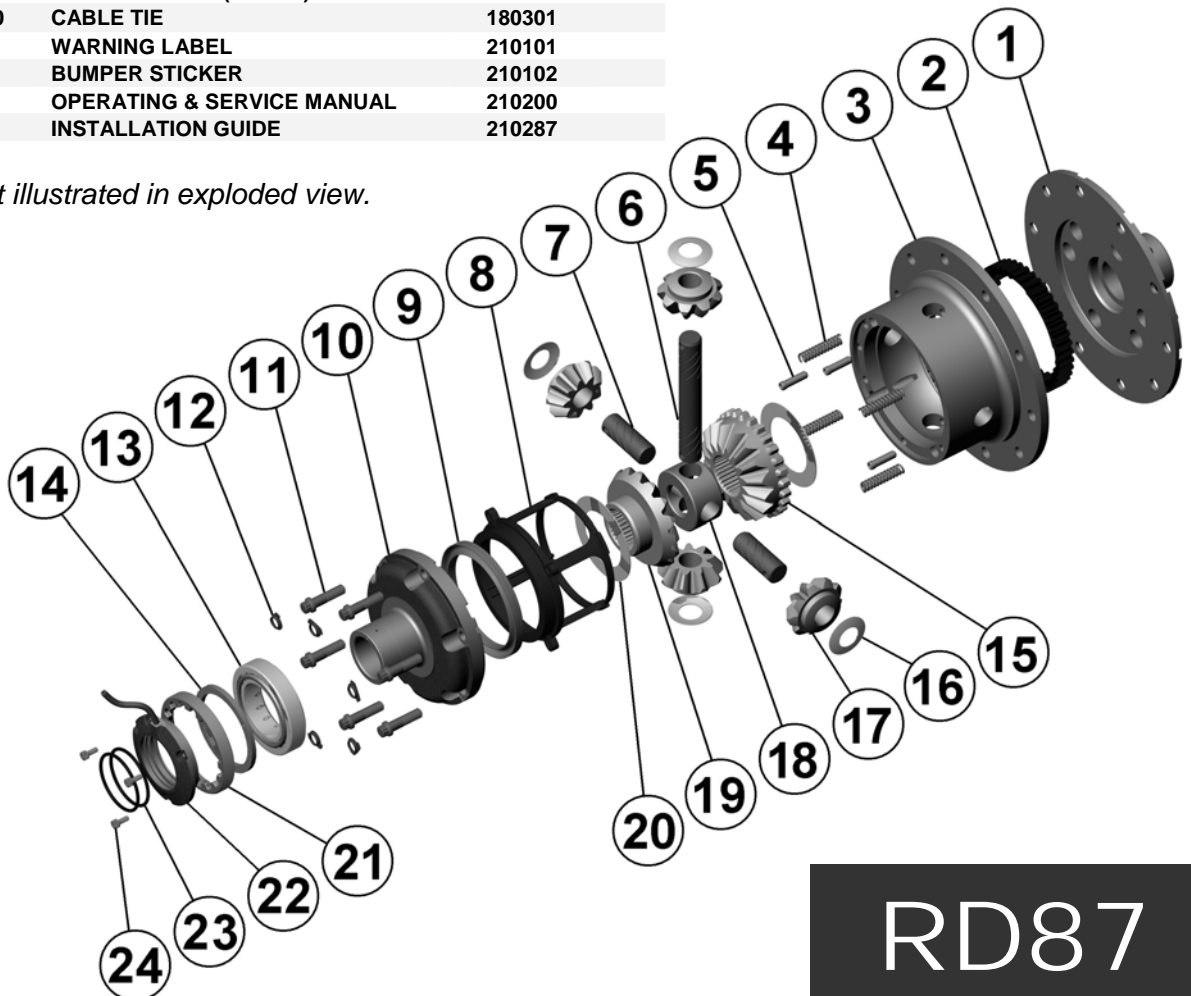
Notes:

- For replacement O-rings use only BS030 Viton 75.

Refer to seal housing set-up tech note ([Section 5.1](#)).

For 10 bolt ring gear model refer to RD118 ([Section 2.118](#)).
- Available only as complete 6 gear set # 728G021

* Not illustrated in exploded view.



RD87

