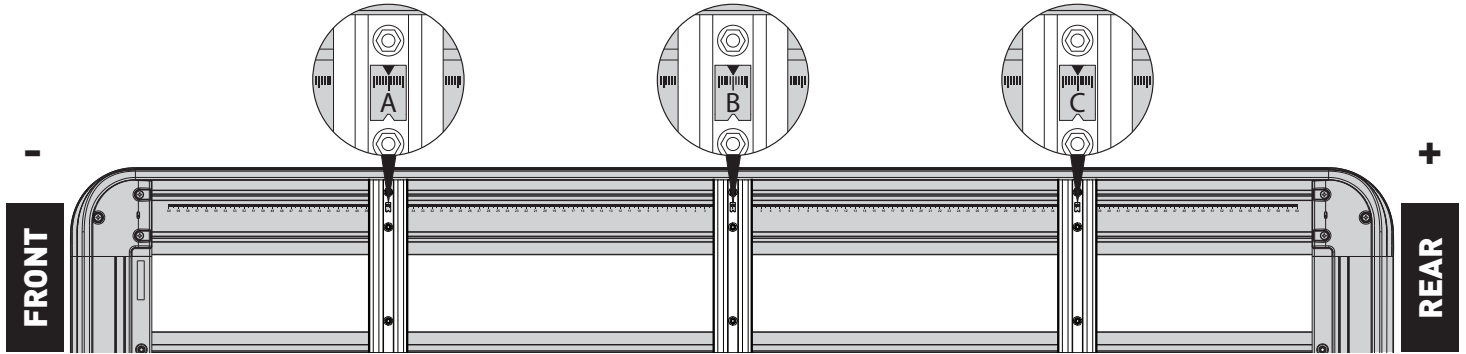


VEHICLE	PIONEER SIZE	CONNECTOR
TOYOTA Hilux Double Cab	52100	RLT600

<b>IMPORTANT NOTES</b>	-
------------------------	---

REGION	AUS	NZ	USA	CA	EU	SA	ZA
AVAILABILITY	✓	✓			✓		✓
RUNNING DATES	Oct-15 -	-	-	-	-	-	-

**UNDERBAR SPACING**



BAR NO.	A	B	C	D	E	F	G
DIMENSION (CM)	-46.5	0.0	46.0	-	-	-	-
SPACERS REQ'D	QMVA05 / QMW10	-	QMVA05 / QMW05	-	-	-	-

VEHICLELOAD LIMIT (kgs / lbs)	SYSTEM WEIGHT (kgs / lbs) PLATFORM + CONNECTOR	ON-ROAD CARGO ALLOWANCE (kgs / lbs)	OFF-ROAD CARGO ALLOWANCE (kgs / lbs)
100 / 220	21.7 / 47.8	78.3 / 172.7	52.2 / 115.1

**NOTES FOR DEALERS / FITTERS**

It is your responsibility to ensure these fitting instructions are given to the end user or client.

Document No: R1942  
 Issue No: 0  
 Issue Date: 21/10/2019

These instructions remain the property of Rhino-Rack Australia Pty. Ltd. and may not be used or changed for any other purpose than intended.