

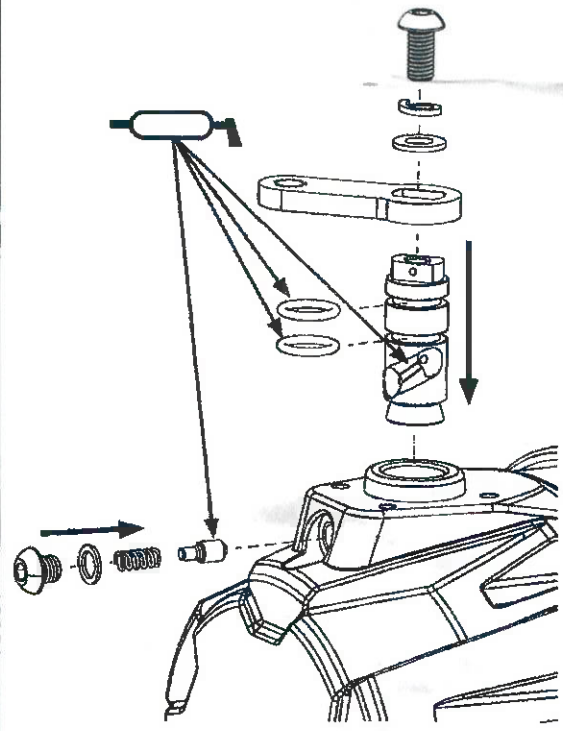


INSTALLATION INSTRUCTIONS CLUTCH INSTALLATION



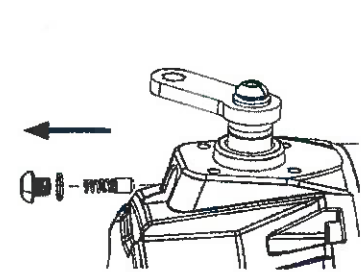
Symbol	Definition
	Apply moly-disulfide grease.

REMOTE CLUTCH

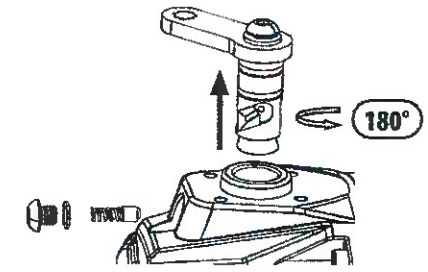


REMOTE CLUTCH OPTIONS

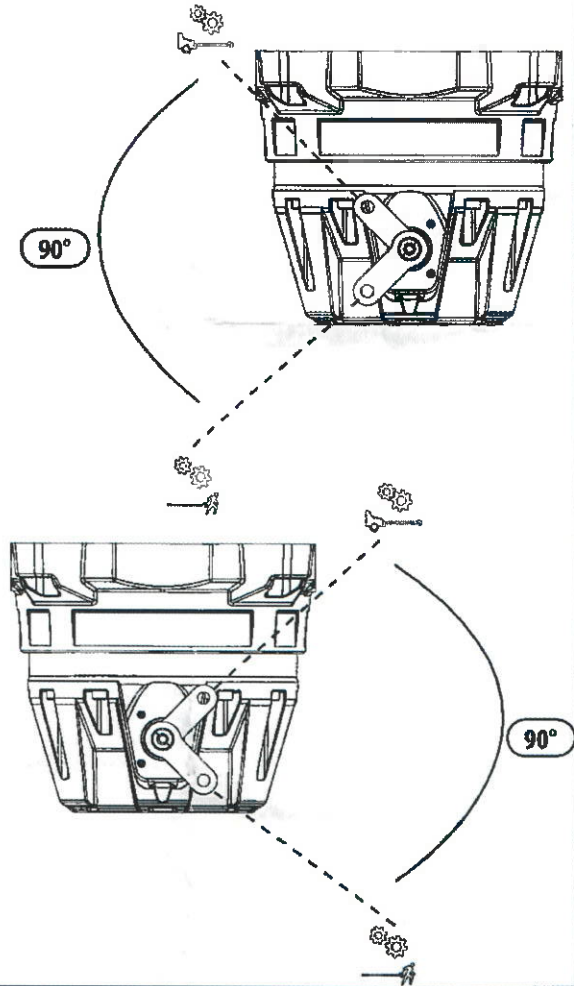
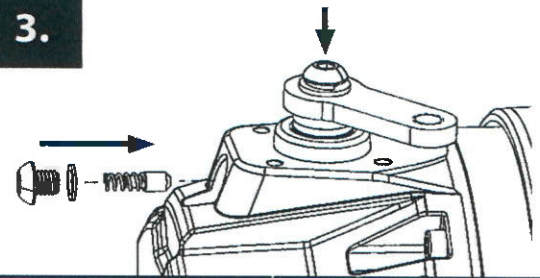
1.



2.



3.



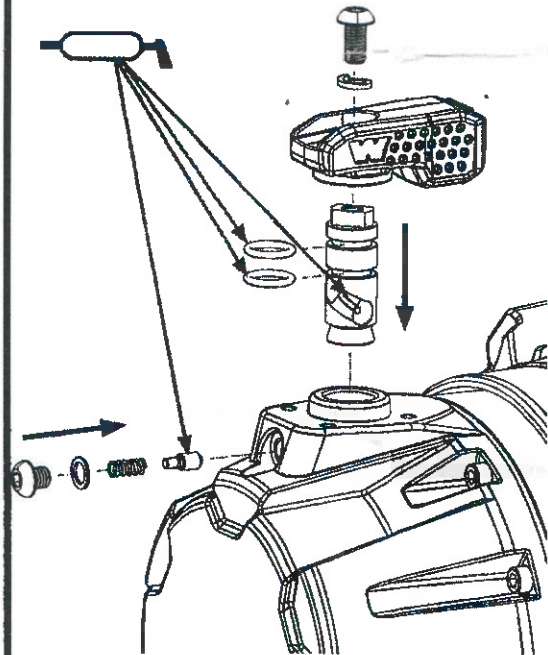


INSTALLATION INSTRUCTIONS CLUTCH INSTALLATION

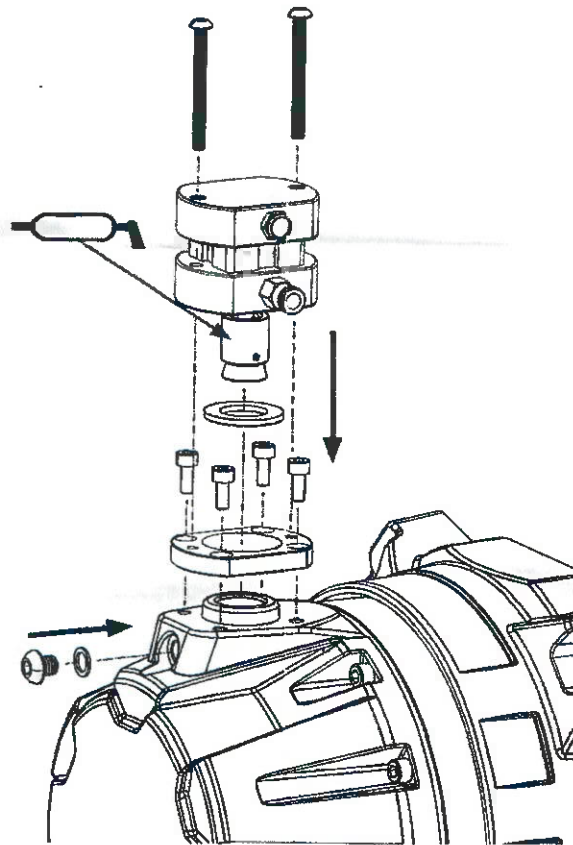


Symbol	Definition
	Apply moly-disulfide grease.

MANUAL CLUTCH



AIR CLUTCH



PLUGGED CLUTCH

