

# FITTING INSTRUCTIONS



**Document Title:**

FI-ALK

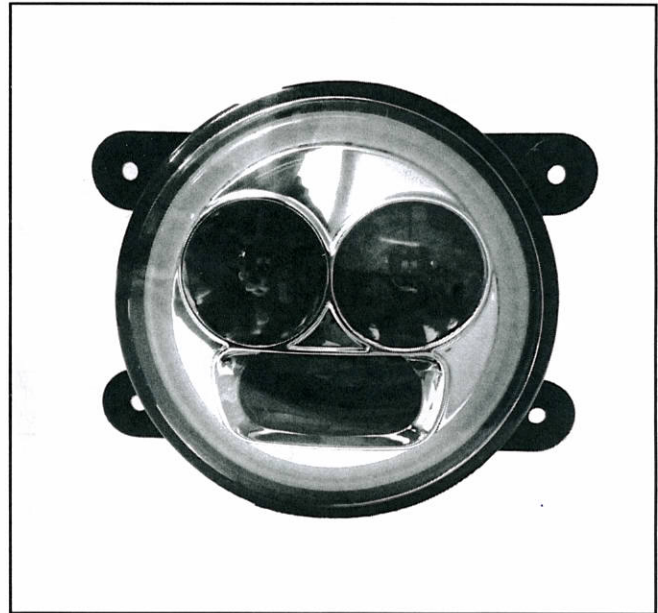
**Application:**

All in 1 Light Kit

**Fitting Time:** Minimum 1 Hours

**Revision:** C (07 November 2019)

All in 1 Light Kit SAALK			
Code	Description	Qty	OK
BP80445	All in 1 Light	2	✓
BP80517	Wiring Harness - All in 1	1	✓
BP1145	8-15x15 Button Head Screw	8	✓
BP80115	400x650x100um Bag	1	✓
BP26443	Bubble Wrap	1	✓
Packed By	<i>Kemie</i>	Date	<i>22/10</i>

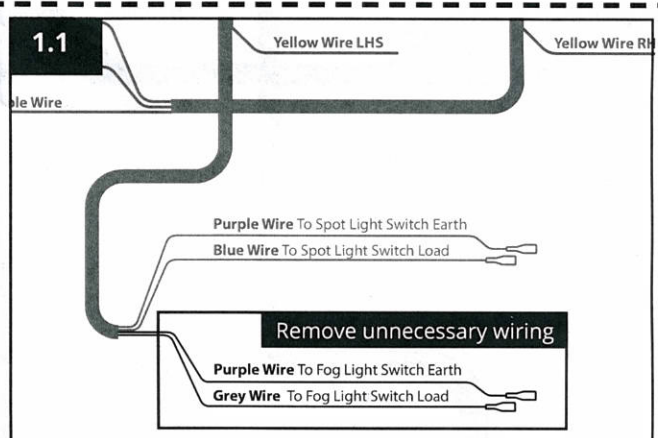


## Step 1: Harness Preparation

### Vehicles with OE Fog Lights Only

1.1 Remove purple and grey wire shown from harness (there are two purple wires shown here, either can be removed).

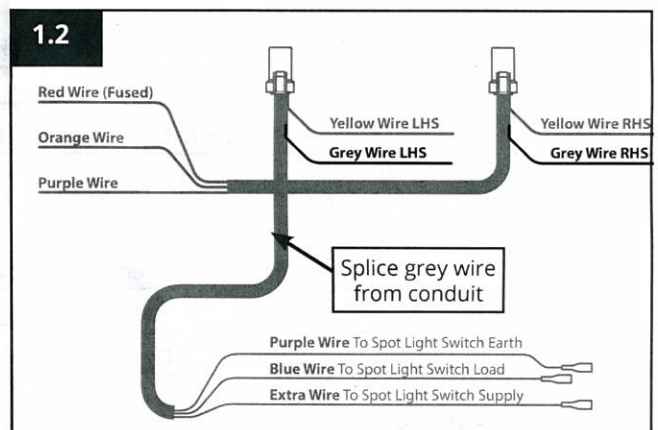
This switch wiring is not required as vehicles with OE fog lights already have a fog light switch in the vehicle.



### Vehicles with OE Fog Lights Only

2.2 Open conduit in location shown and splice grey wire so that it can be later connected to the fog signal in the engine bay.

**Important:** Make sure to splice the wire from the location shown.



## Step 2: Harness Installation

2.1 Fit the harness in place, connecting the wires as labelled in the picture below.

Note: Wiring for vehicles with OE Fog Lights will appear slightly different. Connect the grey wire in step 1.2 to the fog light signal.

