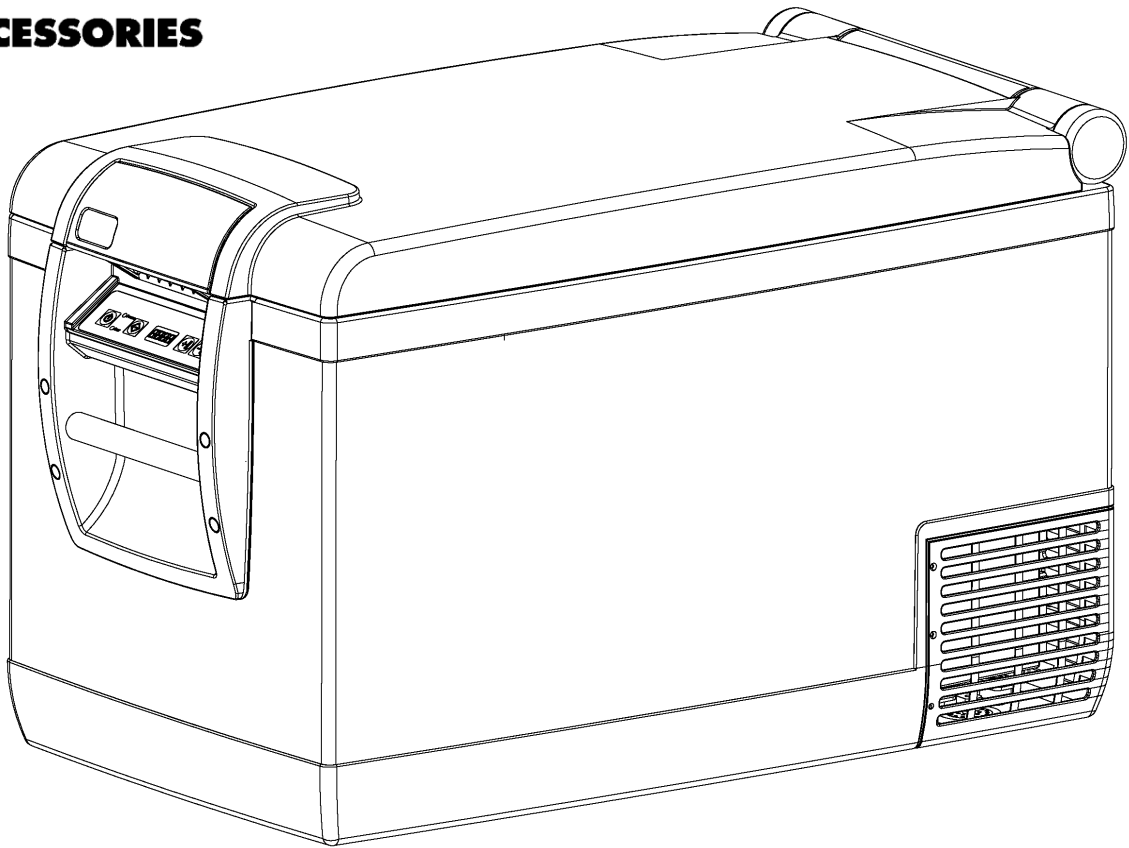




4X4 ACCESSORIES



35L (37qrt), 47L (50qrt), 60L (63qrt), 78L (82qrt)

Classic **FRIDGE/ FREEZER** SERIES II

EN	OPERATING AND SERVICE GUIDE	1
DE	BEDIENUNGS- UND SERVICEANLEITUNG	28
ES	GUÍA DE USO Y MANTENIMIENTO	56
FR	MANUEL DE L'UTILISATEUR	84
IT	GUIDA ALL'USO E ALLA MANUTENZIONE	112

Please read this operating and service guide carefully before starting your ARB Fridge Freezer for the first time. This guide should be kept in a safe place together with your ARB warranty and service guide and a copy of your receipt.

CONTENTS

1 INTRODUCTION.....2

2 SUPPLY DETAILS2

3 SAFETY INSTRUCTIONS3

3.1 General safety..... 3

3.2 Safe operation of the fridge freezer 3

4 INTRODUCTION TO YOUR ARB FRIDGE FREEZER4

5 INSTALLATION.....5

5.1 General installation 5

5.2 Installing in a vehicle 6

5.2.1 Permanent mounting..... 6

5.2.2 Temporary mounting..... 6

6 OPERATION.....8

6.1 Before use..... 8

6.2 Carrying your fridge freezer 8

6.3 Opening your fridge freezer 8

6.4 Connecting your fridge freezer 10

6.4.1 Connecting to 12/24V DC 10

6.4.2 12/24 V DC wiring requirements 10

6.4.3 12/24V DC power socket 11

6.4.4 Connecting to 100-240V AC..... 12

6.4.5 Connecting to an engine driven generator..... 12

6.5 Cable clips..... 13

6.6 Energy saving advice 13

6.7 Lid removal..... 14

6.8 Turning the fridge freezer on or off..... 15

6.9 Setting the target cabinet temperature..... 15

6.10 Changing between °C and °F..... 15

6.11 Using the battery monitor 16

6.12 Making use of the basket..... 17

6.13 Basket divider 18

6.14 Drain plug 18

6.15 Defrosting your fridge freezer..... 19

6.16 Replacing the cabinet fuse..... 19

6.17 Replacing the plug fuse (12/24V) 20

6.18 Replacing the light bulb 21

6.19 Storing your fridge freezer..... 21

6.20 Changing transmission channel..... 22

6.21 Changing control panel brightness..... 22

6.22 Displaying supply voltage..... 22

7 CLEANING AND MAINTENANCE 23

8 DISPOSAL 23

9 TROUBLESHOOTING 24

10 WARRANTY 26

11 TECHNICAL DATA..... 27

1 INTRODUCTION

Congratulations on purchasing an ARB Fridge Freezer. Your ARB Fridge Freezer has been specifically designed for tough off road conditions and its primary purpose is for cooling down food and beverages. It may also be used as a freezer if desired. By following the instructions and guidelines listed in this document, you will ensure that you receive maximum performance and long term reliability out of your new fridge freezer.

Your ARB Fridge Freezer is designed to operate on a 12V DC or 24V DC supply from a vehicle, boat or caravan. It can also be operated from a 100-240V AC mains supply using the inbuilt power inverter.

CAUTION - If you wish to cool medicines, please check if the cooling capacity of the fridge freezer is adequate for the purpose.

2 SUPPLY DETAILS

Your ARB Fridge Freezer has been delivered with the following items. If any of these items have not been included with your fridge freezer, please contact your local ARB Fridge Freezer dealer.

<i>ITEM</i>	<i>QUANTITY</i>
<i>ARB Fridge Freezer</i>	<i>1</i>
<i>Reversible basket</i>	<i>1</i>
<i>Basket divider</i>	<i>1</i>
<i>12/24V power cable</i>	<i>1</i>
<i>100-240V power cable</i>	<i>1</i>
<i>ARB Fridge Freezer operating and service guide</i>	<i>1</i>
<i>ARB Fridge Freezer warranty and service booklet</i>	<i>1</i>

3 SAFETY INSTRUCTIONS

3.1 General safety

For the safety of all people who will use your fridge freezer, ARB recommends that you take note of the following general safety points.

- Always apply the correct voltage to the fridge freezer with the correct polarity.
- Do not connect your fridge freezer to a battery charger, AC/DC converter or rectifier.
- Disconnect the fridge freezer from the battery before using a high-speed battery charger.
- Do not use sharp, abrasive or corrosive materials to clean or defrost the fridge freezer.
- Children should be supervised to ensure they do not play with the fridge freezer.
- This appliance is not intended for use by persons (including children) with reduced physical, sensory or mental capabilities, or lack of experience and knowledge, unless they have been given supervision or instruction concerning use of the appliance by a person responsible for their safety.
- If your power cable is damaged, it must be replaced before the fridge freezer is used.
- Disconnect your fridge freezer from all power supplies before cleaning or maintenance.
- Do not store flammable liquids or gases in or near your fridge freezer.
- Do not open or tamper with the refrigerant circuit.
- Do not remove or modify any of the electrical components.
- Do not store or transport caustic or solvent based material in the fridge freezer.
- Do not use your ARB Fridge Freezer if there are visible signs of damage.
- Only have your fridge freezer serviced by an authorised ARB Fridge Freezer Service Agent.
- Do not store explosive substances such as aerosol cans with a flammable propellant in this appliance.
- This appliance is intended to be used in household and similar such applications such as:
 - Staff Kitchen areas in shops, offices and other working environments.
 - Farm Houses and by clients in hotels, motels and other residential type environments.
 - Bed and breakfast type environments.
 - Catering and similar non-retail applications.

3.2 Safe operation of the fridge freezer

For safe operation of your fridge freezer, ARB recommends that you take note of the following safety points.

- Ensure that there is always sufficient ventilation around the fridge freezer to prevent overheating. Refer to section 5.1 for details.
- Do not touch the internal metal shell of the fridge freezer with a wet hand.
- Do not place your fridge freezer near naked flames or other heat sources (heaters, camp fires, gas ovens, direct sun light etc.).
- Do not fill your fridge freezer cabinet with ice or fluid.
- Do not place electrical devices inside your fridge freezer.
- Protect your fridge freezer from rain and moisture.
- Do not use your fridge freezer if you suspect that the electrical system has been exposed to water.
- Do not use your fridge freezer if it has been immersed in water.

4 INTRODUCTION TO YOUR ARB FRIDGE FREEZER

The key components of your ARB Fridge Freezer are identified below in Figures 1 to 4.

Figure 1 – Front of fridge

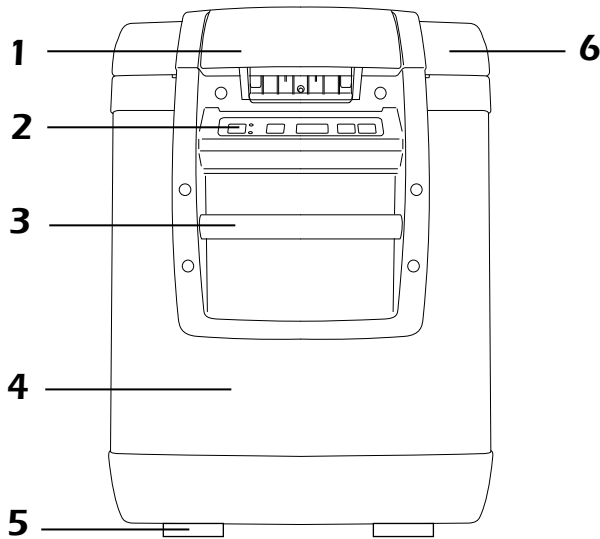


Figure 2 – Rear of fridge

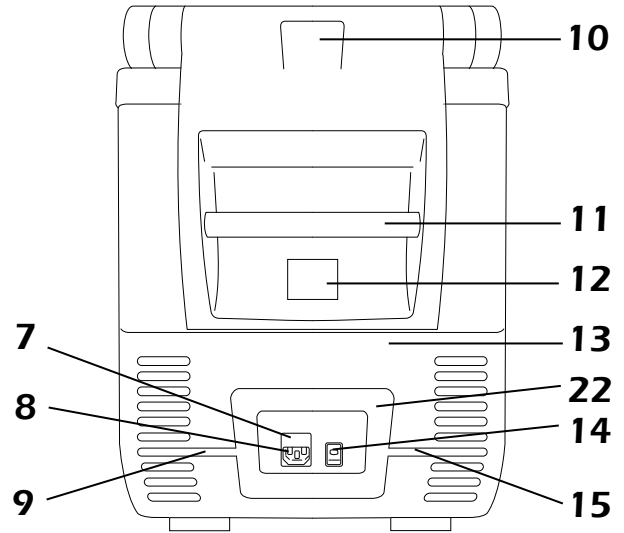
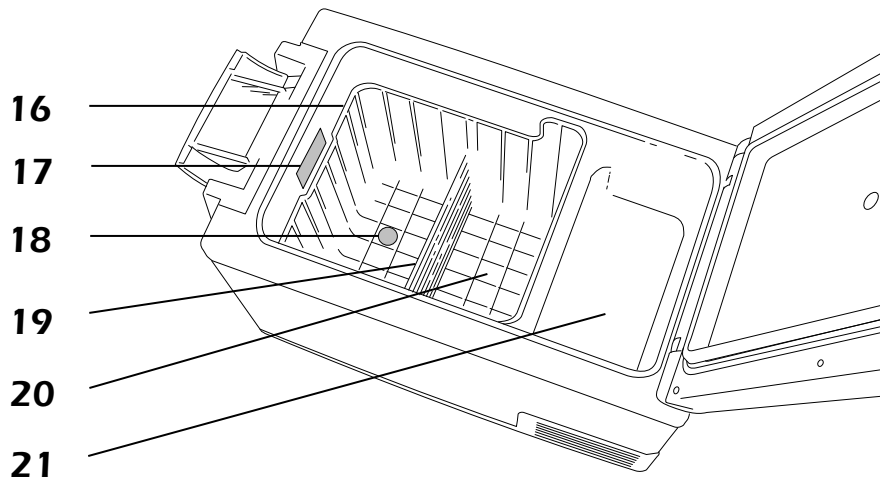


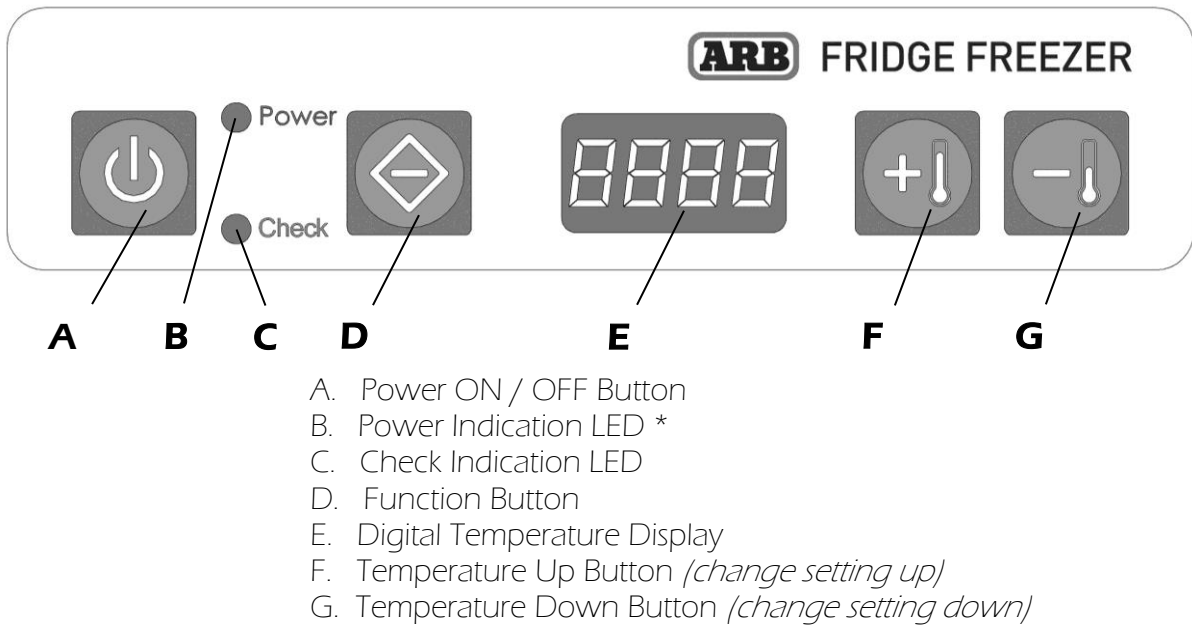
Figure 3 – Interior cabinet



- | | |
|------------------------------------|--|
| 1. Lid latch | 12. Compliance plate and serial number |
| 2. Control panel | 13. Motor surround |
| 3. Front carry handle | 14. 12/24V DC power socket |
| 4. Powdercoated zinc steel cabinet | 15. 12/24V DC cable clip |
| 5. Rubber feet x 4 | 16. Reversible Basket |
| 6. Lid | 17. LED cabinet light |
| 7. Cabinet fuse | 18. Drain plug |
| 8. 100-240V AC power socket | 19. Basket divider |
| 9. 100-240V AC cable clip | 20. Main cooling cabinet |
| 10. Lid stop | 21. Dairy/Fruit cooling cabinet |
| 11. Rear carry handle | 22. Socket for wireless transmitter |

The dairy/fruit cooling cabinet of your ARB Fridge Freezer is designed to maintain a temperature that is warmer than the main cooling cabinet. This makes it an excellent place to store selected items like dairy products, fruit, vegetables and chocolate.

Figure 4 - Control panel



* The power LED is green when the compressor is running. The power LED is orange when the compressor is not running (eg. when the fridge freezer has reached its target temperature).

5 INSTALLATION

5.1 General installation

The following points should be considered when choosing a location to install your ARB Fridge Freezer.

- A minimum clearance of 50 mm must be maintained on all sides of the fridge freezer.
- Whether the installation is permanent or temporary, the fridge freezer must be attached to secure anchorage points.
- The ideal mounting position for the fridge freezer is on a flat, horizontal surface. If the fridge freezer is subject to sideways angles (eg. heel on a boat), it can withstand a sideways angle of 30°.
- Avoid placing the fridge freezer near sharp or hot objects.
- Avoid placing the fridge freezer near loose objects that could fall on the cabinet and obstruct its operation.
- Never operate the fridge freezer near flammable liquids or vapours.
- Avoid turning or storing your fridge freezer on its side.

5.2 Installing in a vehicle

5.2.1 Permanent mounting

Your ARB Fridge Freezer has four threaded inserts in its base that can be used to permanently mount the cabinet to a solid base or fridge slide. One threaded insert is located in the centre of each of the rubber feet. ARB recommends this method of mounting if the fridge freezer is to be permanently mounted. If your fridge freezer will be removed on a regular basis, please refer to section 5.2.2 (temporary mounting).

To permanently mount the fridge freezer:

- Position the fridge freezer on the mounting surface at the desired location and mark the outline of the cabinet.
- Remove the fridge freezer and mark the centre of the cabinet. The centre is shown as point C in Figure 5a.
- Mark and drill four 6.5 mm holes in the mounting surface using the diagram in Figure 5a as a guide.
- To make use of the drain plug, mark and drill one 13 mm hole in the mounting surface at point C as shown in Figure 5a.
- Remove the M6 bolt from the centre of each of the four rubber feet using a hex key as shown in Figure 5b. Ensure that the rubber feet remain in the base of the cabinet.
- Position the fridge freezer on the mounting surface so that the drilled holes line up with the threaded inserts in the cabinet.
- Attach the cabinet to the mounting surface using M6 bolts as shown in figure 5c. Do not exceed the fastener assembly torque of 3.5 Nm (2.5 lbft) when tightening the M6 bolts. ARB recommend apply no permanent thread sealant to the bolts.

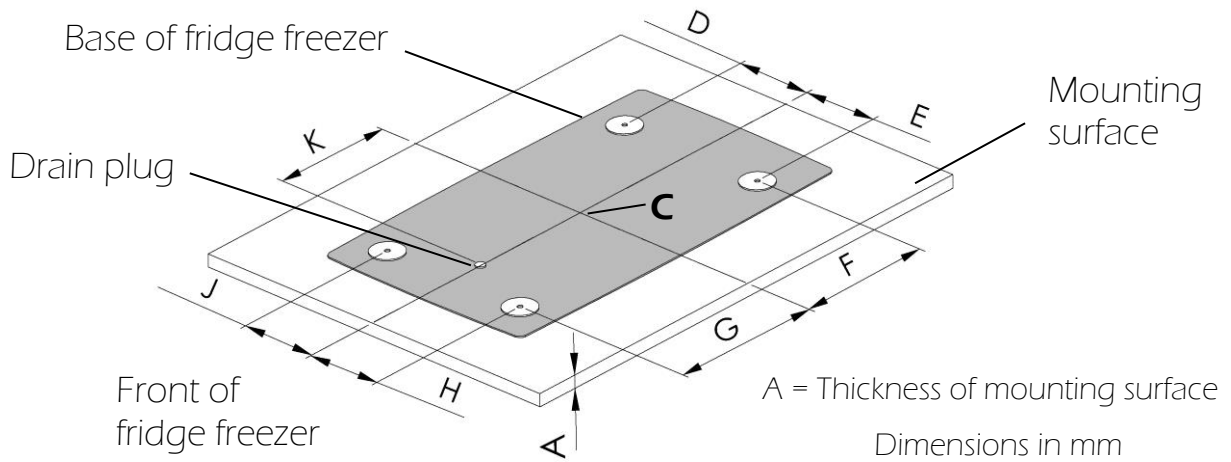
NOTE :

- ***The rubber feet must be fitted between the base of the cabinet and the mounting surface.***
- ***If longer bolts are required, M6 x 1.0 high tensile socket head cap screws with a minimum grade of 8.8 must be used. To avoid damaging electrical components within the fridge, the bolt length must only be increased by the thickness of the mounting surface (dimension 'A' in Figure 5a) plus 8 mm to allow for the recess in the rubber feet.***
- ***When removing the M6 bolts, avoid turning the fridge freezer on its side.***

5.2.2 Temporary mounting

The steel handle at each end of your ARB Fridge Freezer has been engineered to be used as a tiedown point. ARB recommends that the ARB tie down system be used to securely mount the fridge freezer to solid anchorage points.

Figure 5a



Fridge Capacity	D	E	F	G	H	J	K
35/47L (mm/in)	120/4.72	120/4.72	215/8.46	245/9.65	120/4.72	120/4.72	193/7.60
60/78L (mm/in)	155/6.10	155/6.10	285/11.22	315/12.40	155/6.10	155/6.10	277/10.91

Figure 5b

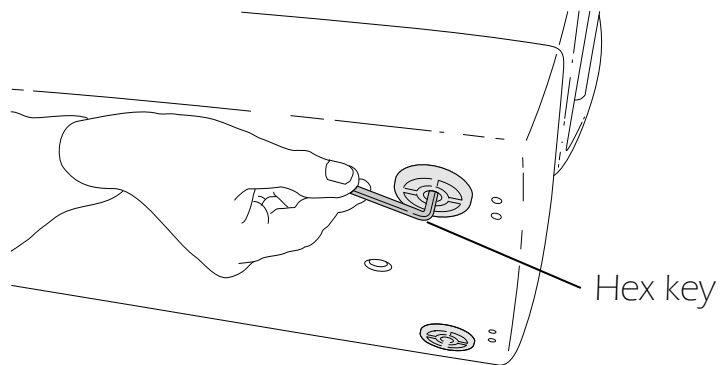
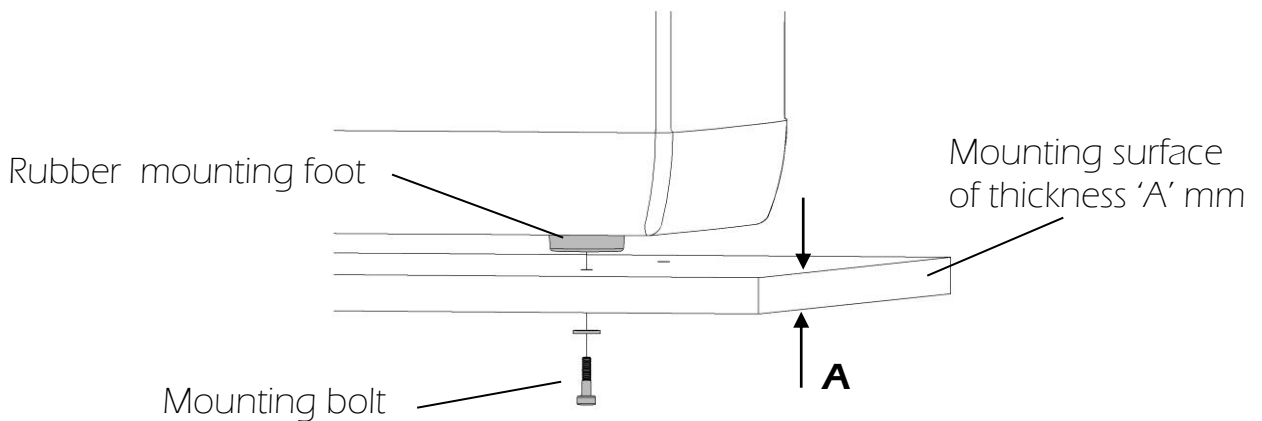


Figure 5c



6 OPERATION

6.1 Before use

Before starting your fridge freezer for the first time, it should be cleaned inside and out with a damp cloth. Please refer to the chapter “Cleaning and maintenance” for further details on maintaining your fridge freezer.

6.2 Carrying your fridge freezer

Your ARB Fridge Freezer is supplied with a powdercoated steel handle at each end of the cabinet. These handles should be used to lift and move the fridge freezer.

WARNING - The lid latch MUST NEVER be used to lift or move the fridge freezer.

CAUTION - The fridge freezer should always be lifted by at least two people.

6.3 Opening your fridge freezer

Your ARB Fridge Freezer has an over-centre lid latch that provides positive pressure between the lid, the cabinet and the lid seal.

To open the fridge freezer lid:

- Place your hand under the latch as shown in Figure 6a.
- Lift the latch up and away from the body of the fridge freezer. The latch will pull away from the fridge freezer in an arc as shown.
- Release the latch once it is clear of the fridge freezer lid. The latch will come to rest clear of the lid as shown in Figure 6b.
- Place your hand under the lid finger grip and lift the lid as shown in Figure 6c.

To close the fridge freezer lid:

- Position the latch on the latch stops as shown in Figure 6d.
- Press the latch towards the body of the fridge freezer until the latch locks into place as shown in Figure 6e. The latch will make a crisp clicking noise as it closes.
- The latch is now closed.

Figure 6a

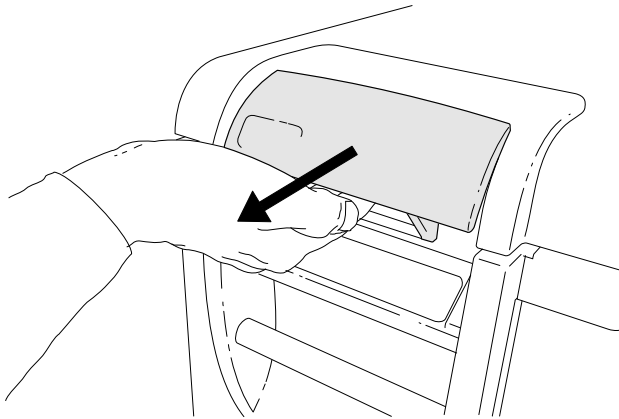


Figure 6b

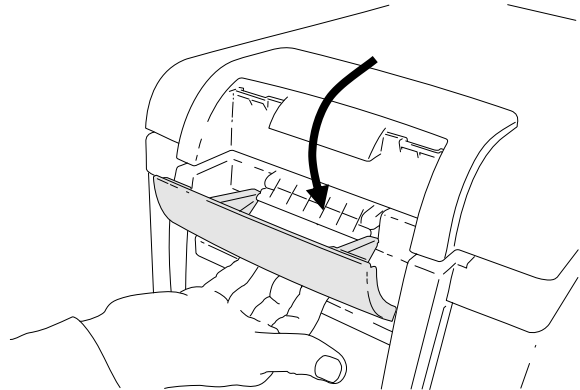


Figure 6c

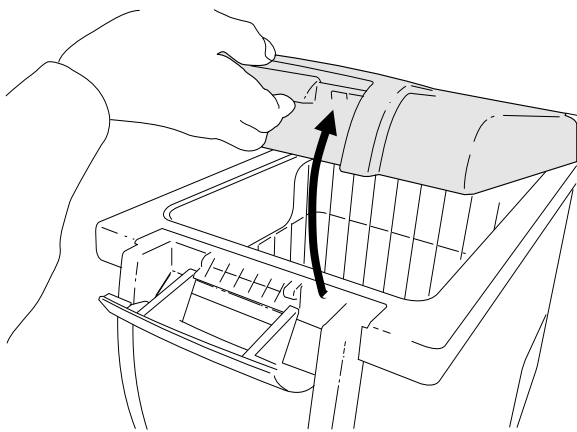


Figure 6d

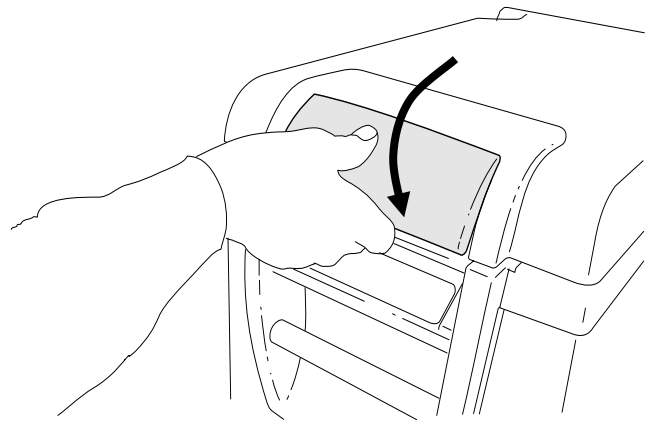
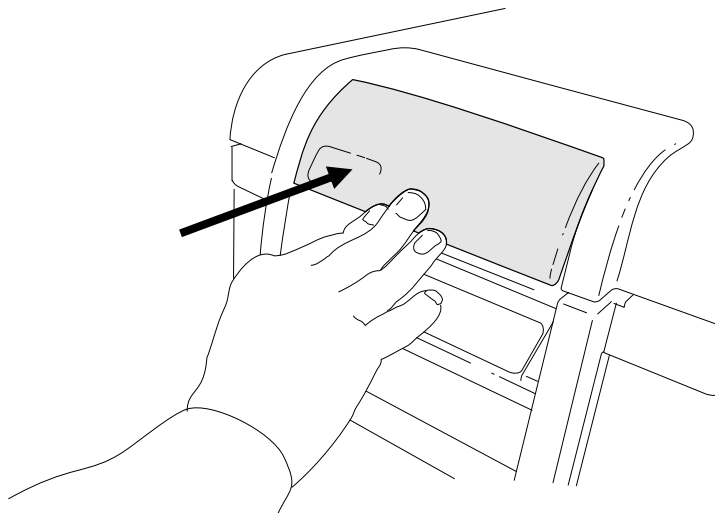


Figure 6e



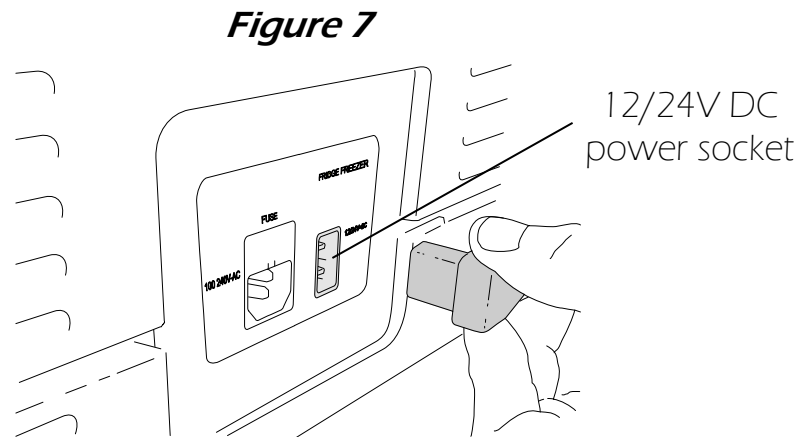
6.4 Connecting your fridge freezer

6.4.1 Connecting to 12/24V DC

Your ARB Fridge Freezer can be operated on either 12V or 24V DC. Your fridge freezer is fitted with a control circuit to prevent polarity reversal and possible short-circuiting when the unit is connected to a battery.

To connect your fridge freezer to a 12 V or 24 V DC supply:

- Plug the 12/24V power lead into the DC power socket on the back panel of the fridge freezer as shown in Figure 7.
- Connect the free end of the power lead to a 12 V or 24 V DC supply.



6.4.2 12/24 V DC wiring requirements

To ensure optimum performance of your ARB Fridge Freezer, it is important that your wiring system is capable of carrying the required load. The accessories wiring system in many vehicles is not adequate for such a task.

ARB recommends that a dedicated wiring circuit be installed to power the fridge freezer. This circuit should be as short as possible and be connected directly to the power supply via a 10 Amp fuse.

For an automotive or marine installation, ARB recommends that the wiring circuit be connected to an isolated power supply like an auxiliary battery system. This will prevent discharge of the main starting battery.

For cable lengths up to 6m, ARB recommends a minimum cable diameter of 6 mm.

For cable lengths greater than 6m, ARB recommends that you consult a qualified technician for advice on the correct cable diameter.

6.4.3 12/24V DC power socket

The plug on your 12/24V DC power lead has a removable adaptor collar. With the collar in place as shown in Figure 8a, this plug will fit into a conventional vehicle accessories power socket (cigarette lighter). With the adaptor collar removed as shown in Figure 8b, this plug will fit into an ARB 2 pole auxiliary power socket.

Figure 8a

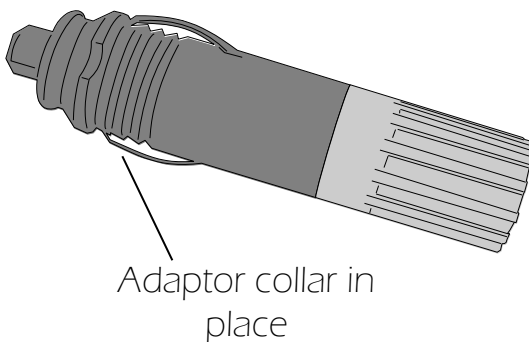
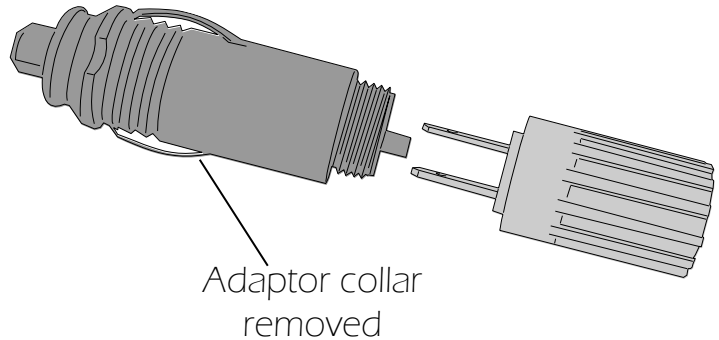


Figure 8b



ARB highly recommends that this 2 pole connection be used for all 12V DC and 24V DC connections of a fridge freezer. This will provide a positive and secure connection between your power source and your fridge freezer.

The following points should be considered when choosing a location for your fridge freezer auxiliary power socket.

- Position the power socket as close to the fridge freezer as is practical.
- Position the power socket in a convenient location that will allow the user to easily connect and disconnect the plug from the socket.
- Position the power socket in a protected location away from dust and moisture.
- Position the socket high in the vehicle to prevent it from becoming wet should the vehicle ingest water.

NOTE – If the plug or adaptor collar is removed and the fridge freezer is hard wired into a 12V or 24V DC circuit, a 10 Amp inline fuse must be included in the circuit.

6.4.4 Connecting to 100-240V AC

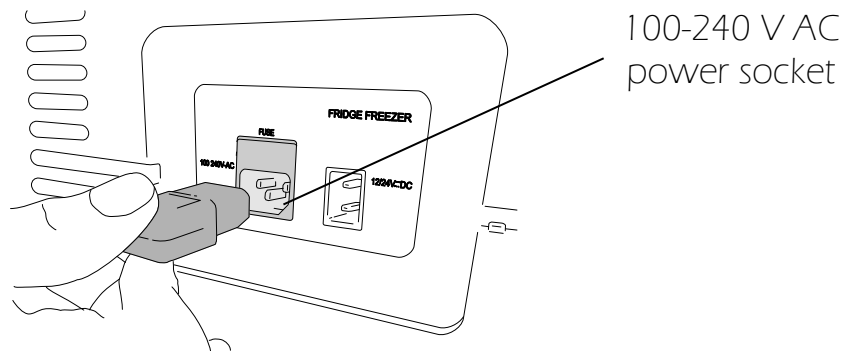
Your ARB Fridge Freezer can be operated on an AC voltage of 100 – 240V. The fridge freezer has a priority circuit which gives priority to mains AC power over DC power. If the fridge freezer is connected to both AC and DC power, the unit will run on the AC supply.

NOTE: The red LED may light up briefly when the supply voltage is switched between AC and DC.

To connect your fridge freezer to 100 – 240 V AC supply:

- Plug the 100-240 V power lead into the AC power socket on the back panel of the fridge freezer as shown in Figure 9.
- Connect the free end of the power lead to a 100 – 240 V AC supply.

Figure 9



CAUTION - Never handle the plugs, leads or switches with wet hands or while standing on a wet surface.

CAUTION - If you are operating your fridge freezer from a 100-240 V AC supply, a residual current circuit breaker must be installed in the circuit. ARB advises seeking advice from a trained technician.

6.4.5 Connecting to an engine driven generator

Please take note of the following points before connecting your ARB Fridge Freezer to an engine driven generator.

- The generator must be fitted with an automatic voltage regulator. It must supply a standard, pure sine wave AC voltage, without fluctuation in voltage or frequency (eg 120 VAC~60Hz or 240 VAC~50Hz).
- When using the DC output from your generator, a battery of correct voltage (12 or 24V) must be connected between the generator and the fridge freezer.
- The fridge freezer should be turned off when starting and stopping your generator.

CAUTION – Some engine driven generators are not suitable for powering your fridge freezer.

6.5 Cable clips

Your ARB Fridge Freezer has clips on the rear panel of the unit to retain both the 12/24V DC and 100-240V AC cables. The cable clips are correctly sized for the power cables supplied with your fridge freezer. The left hand cable clip shown in Figure 10a is for the 100-240V AC cable. The right hand clip is for the 12/24V DC cable as shown in Figure 10b.

Figure 10a

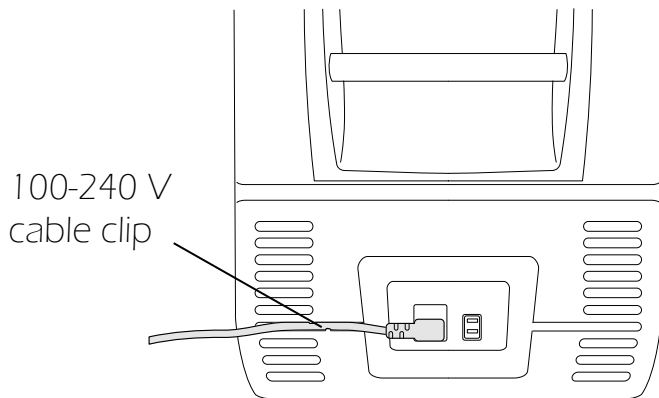
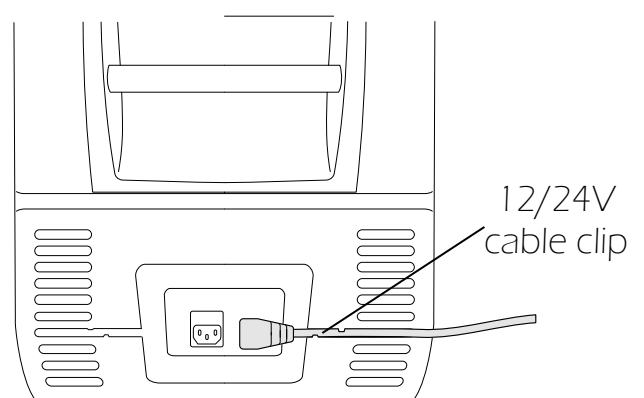


Figure 10b



To install the cable into the cable clips:

- Plug the power cable into the correct power socket. Refer to section 6.4.
- Starting at the end closest to the plug, press the cable into the cable clips using a rotating action. The rotating action will help slide the cable under the clips.

NOTE - Care should be taken when installing and removing the cables to prevent damaging the body of the fridge freezer or the power cables.

WARNING - The cable clips are sized for the cables supplied with your fridge freezer. ARB does not recommend using other cables in these cable clips.

6.6 Energy saving advice

To help you achieve the optimum performance from your fridge freezer, ARB makes the following recommendations.

- Place the fridge freezer in a well ventilated area which is protected from direct sunlight.
- Try to minimise the frequency with which the fridge freezer is opened.
- Do not leave the lid open for longer than necessary.
- Avoid setting the target temperature unnecessarily low.
- Defrost the fridge once ice starts to form.

6.7 Lid removal

The lid on your ARB Fridge Freezer can be quickly and easily removed and refitted.

To remove the fridge freezer lid:

- Open the lid so that the internal ridge of the lid is clear of the fridge freezer cabinet as shown in Figure 11a. The procedure for opening the fridge freezer lid is described in section 6.3.
- Grip the lid firmly with both hands.
- Pull the lid towards the front of the fridge as shown in Figure 11b. The hinge pins will release and the lid can be removed from the fridge freezer cabinet.

Figure 11a

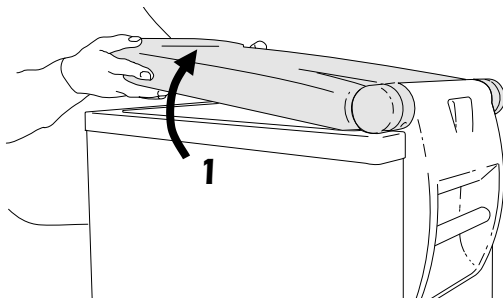
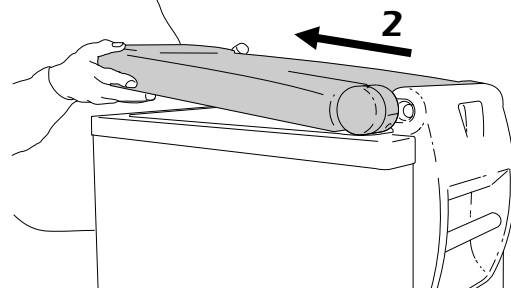


Figure 11b



HINT - If you are finding it difficult to remove the lid, apply a small sideways force to the lid as you pull it forward. This will help to dislodge one of the hinge pins.

To refit the fridge freezer lid:

- Position the lid on top of the cabinet with the hinge pins lined up with the pin recesses as shown in figure 11c. The lid must be slightly inclined to ensure that the internal ridge of the lid is clear of the fridge freezer cabinet.
- Push the lid towards the back of the cabinet so that the hinge pins slide into the recesses as shown in Figure 11d.
- The hinge pins will come to rest in the recesses with a crisp click.
- Open and close the lid to ensure that both hinge pins are correctly seated.
- Close the latch by following the steps described in section 6.3.

Figure 11 c

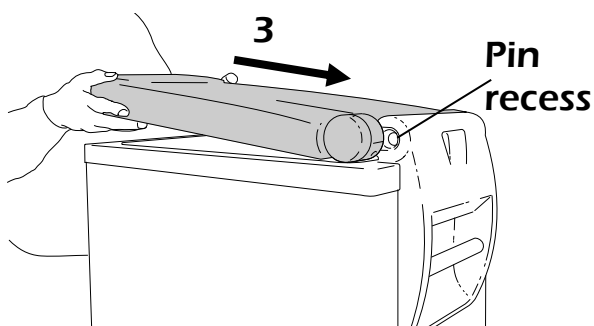
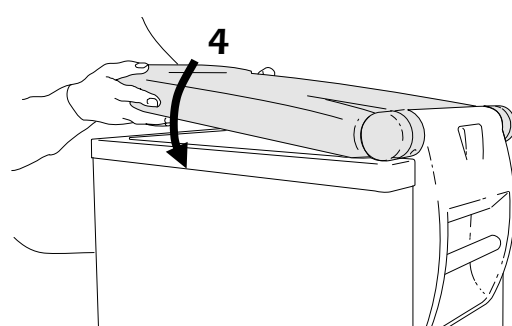


Figure 11d



6.8 Turning the fridge freezer on or off


To turn your ARB Fridge Freezer on:

Press and hold  for between two and three seconds.

- When the fridge freezer is on, the power LED will light up green.
- The display will show the current cabinet temperature.






NOTE - The current cabinet temperature is a reading of the temperature at the centre of the cabinet. The temperature at other areas of the cabinet can deviate from this temperature.

To turn the fridge freezer off:

- Press and hold  for between two and three seconds.
- When the fridge freezer is off, the power LED and the display will go blank.

6.9 Setting the target cabinet temperature

To set the target cabinet temperature of your ARB Fridge Freezer:




- Turn the fridge freezer on.
- Press  once to display current cabinet target temperature.
- Press  to increase the target temperature by one degree.
- Press  to decrease the target temperature by one degree.
- Continue pressing  or  until the desired target cabinet temperature is reached.
- After 5 to 6 seconds of inactivity, the display will flash twice and return to displaying the current cabinet temperature.

NOTE - When the target temperature is reached, the compressor will stop running and the Power LED will change to orange.

6.10 Changing between °C and °F

Your ARB Fridge Freezer is capable of displaying temperature in either degrees Celsius (°C) or degrees Fahrenheit (°F.)

To change the display between °C and °F:

- Turn the fridge freezer on.
- Press  twice to display current temperature unit setting.
- Press  or  to change between °C and °F.
- After 5 to 6 seconds of inactivity, the display will flash twice and return to displaying the current cabinet temperature.

6.11 Using the battery monitor

Your ARB Fridge Freezer is fitted with a battery monitor to control the level of discharge of your battery. The battery monitor has three settings; HIGH, MEDIUM and LOW. When set to HIGH, the battery monitor will provide maximum protection for the battery against excessive discharging. When set to LOW, the battery monitor will allow maximum use of the energy stored in the battery. Table 1 shows the voltage cutout levels for the three battery monitor settings. The factory setting is MEDIUM.

If your fridge freezer can operate without the vehicle ignition being on, the battery monitor will cause the unit to switch off as soon as the supply voltage falls below the set level. The fridge freezer will automatically restart once the restart voltage is reached.

NOTE - When the battery monitor is active, the cooling unit (including compressor) will not run. The power LED on the control panel will be OFF and the check LED will flash RED. The cooling unit will not restart until the voltage level of the battery reaches the restart voltage listed in Table 1.

Table 1



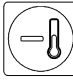
	BATTERY MONITOR MODE		
	LOW	MED	HIGH
Switch off voltage – 12V DC	10.1V	11.4V	11.8V
Restart voltage – 12V DC	11.1V	12.2V	12.6V
Switch off voltage – 24V DC	21.5V	24.1V	24.6V
Restart voltage – 24V DC	23.0V	25.3V	26.2V

If your fridge freezer is connected to the starting battery on a 12/24V DC system, ARB recommends that the battery monitor level be set to HIGH/MEDIUM.

If your fridge freezer is connected to an auxiliary battery on a 12/24V DC system, ARB recommends that the battery monitor level be set to LOW.

NOTE - ARB recommends that the battery be charged once the battery monitor has been triggered. ARB also recommends that all non essential electrical equipment that draws power from the same source as the fridge freezer be turned off until the battery is fully charged.

To change the battery protection level:

- Turn the fridge freezer on.
- Press  three times to display current battery protection setting.
- Press  or  to change the battery protection voltage between High (HI), Medium (nEd) and Low (Lo).
- After 5 to 6 seconds of inactivity, the display will flash twice and return to displaying the current cabinet temperature.



6.12 Making use of the basket

Your ARB Fridge Freezer is supplied with a reversible wire basket that helps to protect the internal walls of the fridge freezer cabinet. The basket can be installed with the high side of the basket against the front of the fridge as shown in Figure 12a. This allows long items to be laid across the top section of the fridge freezer cabinet. The basket can be repositioned so that the high side of the basket is in the centre of the cabinet as shown in Figure 12b. This provides a full height divider between the main cooling cabinet and the dairy/fruit cabinet.

Figure 12a

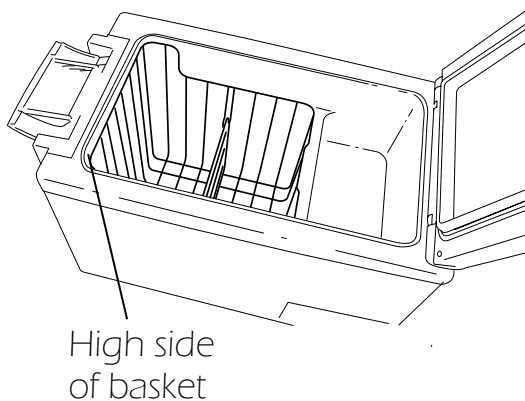
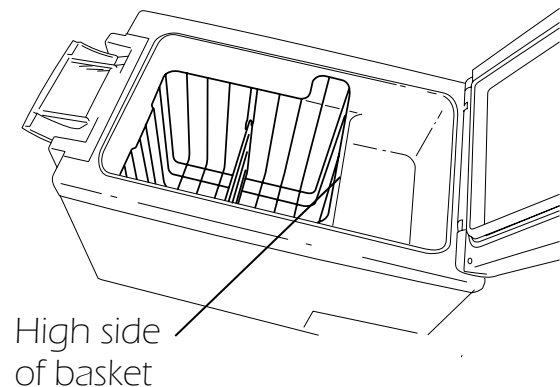


Figure 12b



To remove the basket from the cabinet:

- Lift the basket vertically out of the fridge freezer cabinet. Some North American models have a fixed basket. To reverse such baskets, remove the fastener and replace when basket is repositioned.

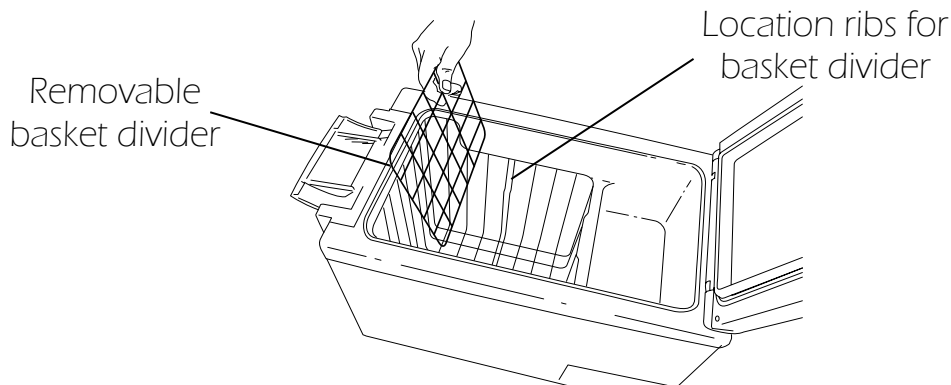
To reinstall the basket into the cabinet:

- Slide the basket down into the cabinet of the fridge freezer. The basket is correctly positioned when its base is in contact with the base of the fridge freezer cabinet.

6.13 Basket divider

Your ARB Fridge Freezer is supplied with a removable basket divider. This divider can be easily removed by lifting it vertically as shown in Figure 13. When refitted, it is important that the basket divider is located between the ribs on the sides of the wire basket. For North American models with a fixed divider, the divider must not be detached from the basket.

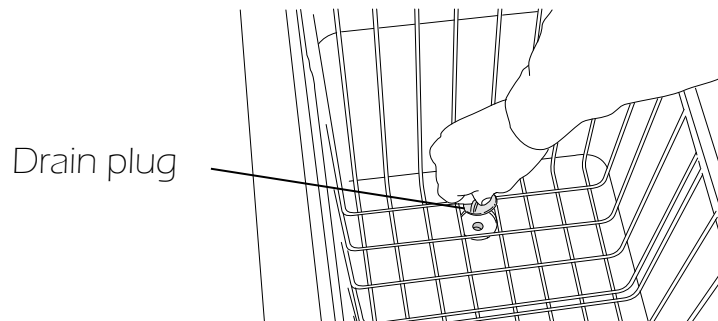
Figure 13



6.14 Drain plug

Your ARB Fridge Freezer has a removable drain plug in the base of the cabinet as shown in Figure 14. The drain plug can be removed to drain liquid from the cabinet of the fridge freezer.

Figure 14



To remove the drain plug:

- Open the lid of the fridge freezer
- Grip the drain plug with your fingers
- Gently lift the drain plug away from the base of the cabinet.

To refit the drain plug:

- Open the lid of the fridge freezer
- Locate the tip of the drain plug in the drain
- Apply gentle pressure to the drain plug so that it slides into the drain. The drain plug is correctly located when the lip of the drain plug makes full contact with the base of the cabinet.

NOTE - It is important that the drain plug is refitted before the fridge freezer is run for an extended period of time. Failure to do this will result in a reduction in performance.

6.15 Defrosting your fridge freezer

From time to time, ice may form on the inside of your ARB Fridge Freezer. This can reduce both its internal capacity and its thermal efficiency. ARB recommends that you defrost your fridge freezer on a regular basis.

To defrost your ARB Fridge Freezer:

- Remove the contents of the fridge freezer.
- Turn the fridge freezer off.
- Open the lid so that the ambient temperature air will cause the ice to melt.
- Remove the drain plug and allow any water to drain from the cabinet.
- Wipe the cabinet with a soft cloth to remove any remaining water.

WARNING: *Never use hard or pointed objects to defrost the fridge freezer or to loosen objects that have become frozen in place.*

6.16 Replacing the cabinet fuse

Your fridge freezer is equipped with a fuse that is located in the rear of the cabinet.

CAUTION – Disconnect the fridge freezer from all power sources before replacing the cabinet fuse.

To replace the cabinet fuse:

- Remove the AC and DC power leads from the power sockets.
- Remove the fuse insert from the rear panel of the fridge freezer as shown in 15a. A small flat blade screwdriver may be required to help pry the insert away from its housing.
- Replace the defective fuse with a new fuse that has the same rating. The correct rating for the fuse is 4A, specified as: F4L250V. Refer to Figure 15b.
- Replace the fuse insert back into its housing.

Figure 15a

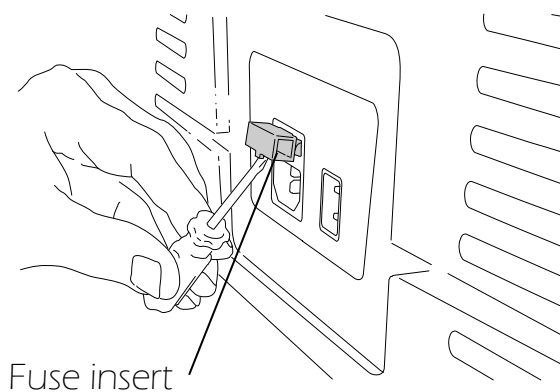
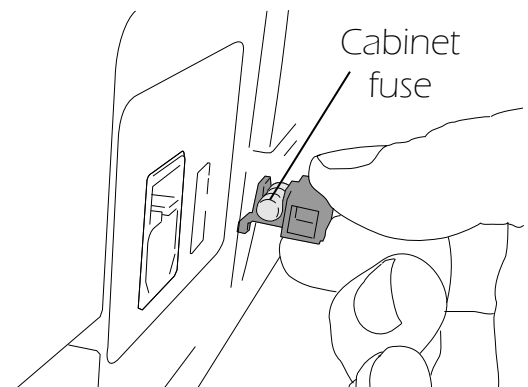


Figure 15b



6.17 Replacing the plug fuse (12/24V)

Your fridge freezer is equipped with a fuse that is located in the 12/24V DC plug.

CAUTION – Disconnect the fridge freezer from all power sources before replacing the plug fuse.

To replace the plug fuse:

- Separate and remove the top housing from the body of the plug as shown in Figure 16a.
- Replace the defective fuse with a new fuse that has the same rating as shown in Figure 16b. The correct rating for the fuse is 3AG 10 Amp.
- Reassemble the plug by reversing the steps listed above.

Figure 16a

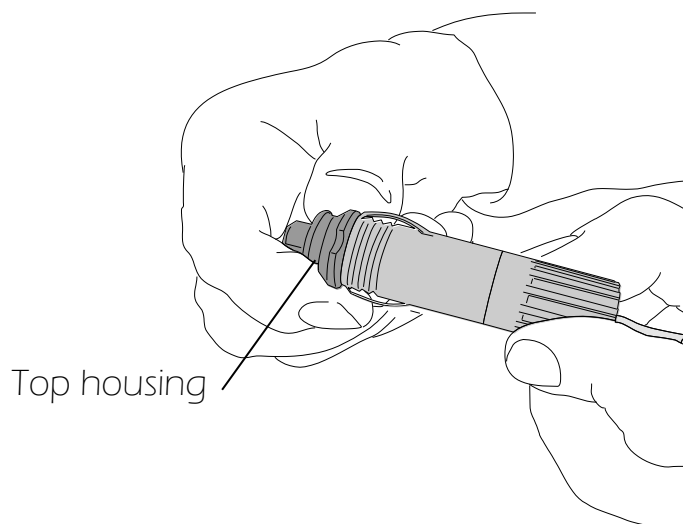
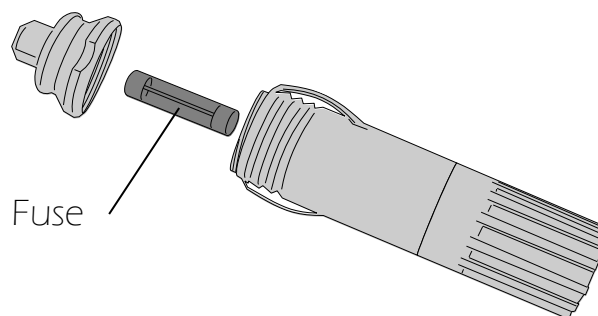


Figure 16b



6.18 Replacing the light bulb

Your fridge freezer is equipped with a long life and low current draw LED light bulb. Under typical operating conditions this bulb should not require replacement. In the unlikely event that you need to replace the light bulb, please follow the procedure outlined below.

CAUTION – Disconnect the fridge freezer from all power sources before replacing the light bulb.

To replace the light bulb:

- If the basket is fitted with its high side against the front of the fridge, it must be removed to provide access to the light housing. Refer to section 6.12 for details.
- Remove the transparent light housing from the internal case of the fridge freezer as shown in Figure 17a. To do this, place your finger under the lip of the light housing and pry it away from the internal case of the fridge freezer.
- Replace the defective light bulb with a new bulb of the same rating as shown in Figure 17b. Replacement bulbs can be purchased from your nearest ARB Fridge Freezer service agent.
- Ensure that the LEDs inside the bulb are facing the transparent face of the light housing.
- Test that the light functions correctly.
- Refit the light housing into the cabinet of the fridge freezer.

Figure 17a

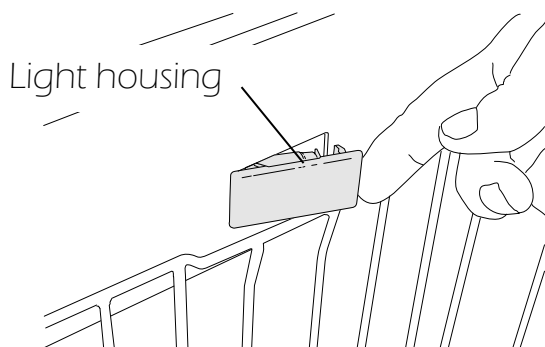
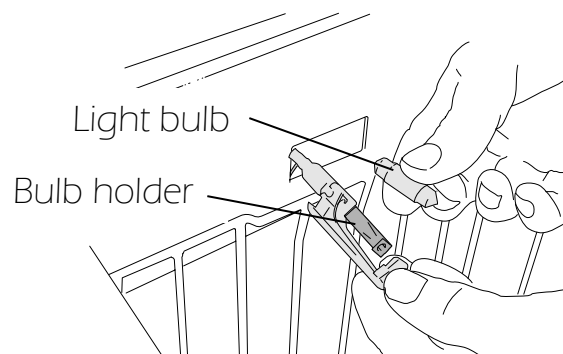


Figure 17b



6.19 Storing your fridge freezer

If you are storing your fridge freezer for an extended period of time, ARB makes the following recommendations.


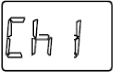


- Switch the fridge freezer off and disconnect it from all sources of power.
- Remove all items except the basket and basket divider from within the cabinet.
- Leave the lid slightly open to allow airflow through the cabinet.

HINT – To ensure the lid remains open, lift the lid and place the latch on top of the cabinet before gently lowering the lid onto the latch. For additional ventilation, remove the drain plug

6.20 Changing transmission channel

Your ARB fridge can be used with the ARB wireless fridge display (sold separately) that has the choice of 4 transmission channels.

To change the transmission channel:


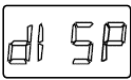


- Turn fridge on.
- Press  four times to display current transmission channel (eg 
- Press  or  to change between Ch1, Ch2, Ch3 and Ch4.
- After 5 to 6 seconds of inactivity, the display will flash and return to displaying the current cabinet temperature.

Refer to instructions provided with the ARB wireless fridge display for information about its installation and use.

6.21 Changing control panel brightness

The brightness of the control panel display on your ARB fridge is adjustable.


To change the brightness of the control panel display:

- Turn fridge on.
- Press  five times to display 
- Press  or  to change between the two brightness levels.
- After 5 to 6 seconds of inactivity, the display will flash and return to displaying the current cabinet temperature.

6.22 Displaying supply voltage

Your ARB fridge can display the voltage being supplied to your fridge.

To display the supply voltage:

- Turn fridge on.
- Press  to display supply voltage.

When connected to DC power, the supply voltage will be shown
When connected to AC power, 'AC' will be displayed

7 CLEANING AND MAINTENANCE

To clean the inside or outside of the fridge freezer, use a damp cloth and warm water containing a mild non-abrasive household detergent.

If your fridge freezer is operated in dusty conditions, ARB recommends that you clean the outside surfaces on a regular basis to prevent the build up of dirt and grit. In particular, ARB recommends that you routinely clean around the hinge mechanisms and the motor surround. To clean around the motor surround, ARB recommends placing the fridge freezer in a well ventilated area and using a vacuum cleaner or a gentle stream of compressed air.

WARNING - Under no circumstances is the motor surround to be removed.

Please take note of the following points before cleaning your fridge freezer.

- Always turn off power and remove the plugs from the fridge freezer before cleaning or servicing the unit.
- Never use hard objects or abrasive cleaning agents to clean the fridge freezer.
- Do not use brushes, scouring pads or hard or pointed tools to defrost the fridge freezer.
- Do not clean the fridge freezer under running water or with a high pressure washer.

8 DISPOSAL

Please place the packaging material in the appropriate recycling waste bins where possible.

If you wish to finally dispose of your fridge freezer, ask your local recycling center or authorised ARB Fridge Freezer dealer for details about how to do this in accordance with the applicable disposal regulation.

9 TROUBLESHOOTING

The following checklist will help to identify the source of the problem with your fridge freezer. If after carrying out this checklist you are still unsure of the cause of the fault, please contact your nearest ARB Fridge Freezer Service Agent.

1. The fridge freezer has stopped operating. The power LED does not glow.

1.1 The power lead connections could be loose or dirty at the fridge freezer or power supply end.

- Check that the fridge freezer power lead connections have not become loose or disconnected.
- Check that the electrical contacts have not become dirty and are preventing full voltage flow to the fridge freezer.

1.2 The fuse in the 12/24V DC cable plug may have blown.

- Check the 12/24V DC cable plug fuse and replace if necessary. Refer to section 6.17.

1.3 The cabinet fuse may have blown.

- Check the cabinet fuse and replace if necessary. Refer to section 6.16.

2. The fridge freezer compressor has stopped operating. The power LED is ORANGE.

2.1 The fridge freezer has reached the desired target cabinet temperature.

- The fridge freezer is operating correctly. No action is required.

3. The fridge freezer has stopped operating. The power LED is OFF and the RED check LED is flashing.

3.1 The internal battery protection system has caused the fridge freezer to switch off because the battery voltage is low.

- The fridge freezer will automatically restart once the restart voltage is reached. Refer to section 6.11 for switch off and restart voltages.

4. The fridge freezer does not cool or has stopped operating. The power LED is green.

4.1 There may be an internal fault within the fridge freezer.

- This can only be repaired by an authorised ARB Fridge Freezer Service Agent.

5. The control panel displays an error message (eg "ERR1", "ERR2" or "ERR3") and the fridge freezer does not cool.

5.1 The fridge freezer may have switched off due to an internal fault.

- This can only be repaired by an authorised ARB Fridge Freezer Service Agent.

6. When connected to a vehicle wiring circuit with the vehicle running, the fridge freezer occasionally shudders or stops operating.

6.1 It is likely that there is loss of voltage occurring within your vehicle wiring.

- This can be confirmed by taking a voltage reading at the end of the power lead for the fridge freezer. If the reading is below 11.8 volts (12VDC) or 24.1 volts (24VDC), you should have the wiring system checked.
- If necessary, upgrade your fridge freezer wiring circuit using the information in section 6.4 as a guide.

7. The fridge freezer stops and starts or runs erratically

7.1 The internal battery protection system may be causing the fridge freezer to switch off because the battery voltage is low.

- Check whether the voltage supply at the fridge freezer plug has dropped below the shut down voltage listed in section 6.11. The voltage must be read at the fridge freezer plug as there is normally at least one to two volts lost between the power source (battery) and the fridge freezer plug.
- The vehicle battery may need replacement or the wiring to the fridge freezer may need to be upgraded. Refer to section 6.4 for details on wiring requirements.

8. The fridge freezer is running too long and is not cooling properly.

8.1 Good fridge freezer performance, especially in hot ambient temperatures, is dependent on good air flow around the fridge freezer cooling slots.

- Check that all ventilation slots are unobstructed and there is enough clearance for good airflow around the fridge freezer. Refer to section 5.1 for details.

9. When the fridge freezer lid is open, the LED cabinet light does not come on.

9.1 The fridge freezer may not be connected to a suitable power supply.

- Check the connection between the power source and the fridge freezer.

9.2 The LED light bulb may have blown

- Check the light bulb and replace if necessary. Refer to section 6.18 for details.

10 WARRANTY

ARB warrants the ARB Products against defects in workmanship and materials for the Warranty Period. If defective workmanship or materials become apparent in the Warranty Period, ARB will replace or repair the defective Product.

The benefits to the customer given by this warranty are in addition to other rights and remedies of the customer under a law in relation to the goods or services to which the warranty relates.

1) In this warranty:

- **ARB** means ARB Corporation Limited (ABN 31 006 708 756) of 42-44 Garden St, Kilsyth Victoria 3137
- **ARB Outlet** means an outlet which has been authorised by ARB to sell and fit ARB Products
- **ARB Product** means products which ARB manufactures or for which ARB is the exclusive supplier
- **Product Information** means the information about the relevant ARB Product which may be contained in any of: documentation provided with the ARB Products, owner's manual, operating manual, service manual of the manufacturer's manual or labels attached to the ARB Product
- **Warranty Period** means, in respect of an ARB Product, means the period that this warranty against defects applies and which is set out in the tables in paragraph 8.

2) To be entitled to claim the warranty, the customer must:

- a) have the ARB Product fitted in accordance with the Product Information
- b) carry out normal care and maintenance of the ARB Product, including any required by the Product Information
- c) provide proof of purchase of the ARB Product
- d) make the claim in the Warranty Period

2) The warranty will not apply in circumstances where the defect is caused by:

- a) unusual, improper or negligent use or misuse of the ARB Product
- b) incorrect fitting of the ARB Product other than at an ARB Outlet
- c) loading the ARB Product with weights in excess of Product Information
- d) use of non-genuine ARB components in or with the ARB Product
- e) use on vehicles with modifications not approved in the Product Information or at an ARB Outlet at the time of fitting
- f) caused by racing or competition use
- g) use of the ARB Product outside of the requirements of the Product Information

3) The procedure for the customer to claim the warranty is:

- a) Return the ARB Product to the nearest ARB Outlet of contact ARB to arrange a time to bring a vehicle fitted with the ARB Product to an ARB Outlet for inspection. Contact details are in paragraph 7 below if further information is required regarding local outlet details
- b) bring proof of purchase of the ARB Product to the ARB Outlet
- c) ARB will review the ARB Product and advise whether the conditions of the warranty have been met

4) Where ARB accepts a customer's warranty claim, ARB will rectify any defective workmanship or materials at its own expense.

5) Expenses incurred by the customer in claiming the warranty are to be borne by the customer.

6) This warranty is given by: ARB Corporation Limited
42-44 Garden Street Kilsyth VIC 3137, Australia
Phone: 03 9761 6622
Fax: 03 9721 9090
www.arb.com.au

7) The period within which a defect in the ARB Products must appear if the customer is to be entitled to claim the warranty is 3 years starting on the date of purchase unless:

- a) The ARB Product is used in Commercial use. Commercial use means use in industry or commerce including (without limitation) use in the mining industry or as a hire vehicle. In this case, the Warranty Period is the less of 1 year or 20,000 km, or one third of the period or distance specified in the table, starting on the date of purchase.

8) The warranty against defects contained in this document replaces any other warranty against defects or voluntary warranty given in relation the Products.

Our goods come with guarantees that cannot be excluded under the Australian Consumer Law. You are entitled to a replacement or refund for a major failure and compensation for any other reasonable foreseeable loss or damage. You are also entitled to have the goods repaired or replaced if the goods fail to be of acceptable quality and the failure does not amount to a major failure.

11 TECHNICAL DATA

Overall capacity – Litre (quarts)	35 (37)	47 (50)	60 (63)	78 (82)
Type	10801020	10801010	10801030	10801040
Category	1	1	1	1
Annual Energy Consumption [kWh/annum]	93	95	99	111
Climate Class	N,T	N,T	N,T	N,T
Energy Efficiency Index [EEI]	A+	A+	A+	A+
Connection voltage (except North America)	12/24 V DC and 100-240 V AC			
Connection voltage North America	12/24 V DC and 120V AC ~ 60Hz			
Rated current				
- 12V DC	5.0 A	5.1 A	5.3 A	7.3 A
- 24V DC	2.5 A	2.8 A	3.0 A	3.5 A
- 100-240 VAC	0.8 - 0.4 A	1.0 - 0.6 A	1.0 - 0.5 A	1.2 - 0.6 A
- 120 VAC	0.75A	0.9 A	1.0 A	1.1 A
Cooling Capacity	+ 10 °C to -18 °C (+50 °F to 0 °F)			
Ambient Temperature	+16°C to +43°C (+70 °F to +109°F)			
Weight – Nett - Kg (lb)	20 (45)	22 (50)	24 (54)	27 (60)
Noise [dbA]	50	50	50	50
Refrigerant - R134a – g (oz)	42 (1.48)	47 (1.66)	56 (1.98)	63 (2.22)
External Dimensions – mm (in) – Figure 18a				
- H1	428 (16.9)	508 (20.0)	428 (16.9)	508 (20.0)
- W1	380 (15.0)	380 (15.0)	450 (17.7)	450 (17.7)
- D1	705 (27.8)	705 (27.8)	845 (33.3)	845 (33.3)
Internal Dimensions – mm (in) – Figure 18b				
- H2	321 (12.6)	401 (15.8)	321 (12.6)	401 (15.8)
- H3	126 (5.0)	206 (8.1)	126 (5.0)	206 (8.1)
- W2	285 (11.2)	285 (11.2)	355 (14.0)	355 (14.0)
- D2	337 (13.3)	337 (13.3)	477 (18.8)	477 (18.8)
- D3	151 (6.0)	151 (6.0)	151 (6.0)	151 (6.0)

Note: The maximum cooling capacity is 50°C (122°F) below ambient temperature. If the ambient temperature is above 32° (90°F) the minimum temperature cannot be achieved.

Figure 18a

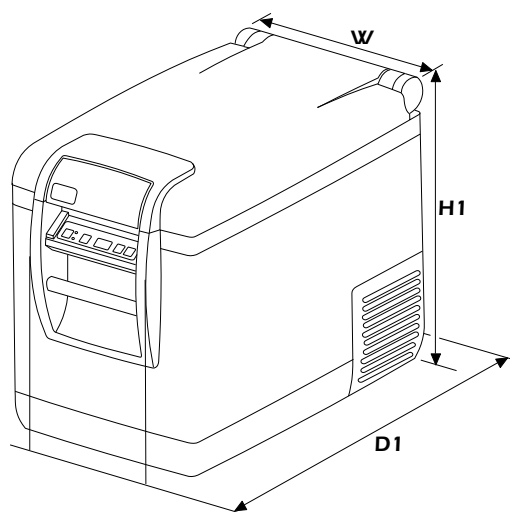
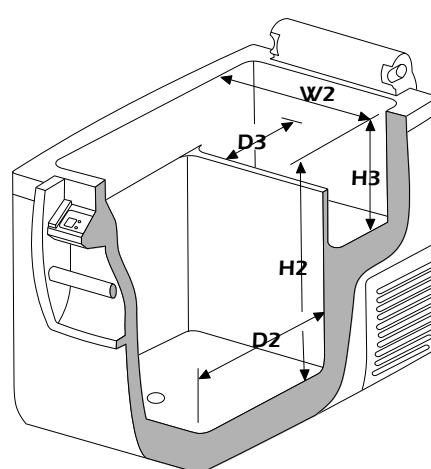


Figure 18b



This device is CFC-free. The coolant circuit contains R134a. Removal or recharge of refrigerant should only be done by an authorised refrigeration mechanic.

Bevor Sie die ARB Kühl- und Gefrierkombination zum ersten Mal in Betrieb nehmen, lesen Sie diese Bedienungs- und Serviceanleitung aufmerksam durch. Bewahren Sie dieses Handbuch zusammen mit der ARB Garantie- und Kundendienstbroschüre und einer Kopie Ihrer Quittung an einem sicheren Ort auf.

INHALT

1	EINFÜHRUNG	30
2	LIEFERDATEN	30
3	SICHERHEITSHINWEISE	31
	3.1 Grundlegende Sicherheit	31
	3.2 Sicherer Betrieb der Kühl- und Gefrierkombination.....	31
4	EINFÜHRUNG IN DIE ARB KÜHL- UND GEFRIERKOMBINATION	32
5	MONTAGE	33
	5.1 Allgemeine Montage	33
	5.2 Montage in einem Fahrzeug.....	34
	5.2.1 Dauerhafte Montage	34
	5.2.2 Zeitweise Montage.....	34
6	BETRIEB.....	36
	6.1 Vor dem Gebrauch	36
	6.2 Kühl- und Gefrierkombination tragen	36
	6.3 Kühl- und Gefrierkombination öffnen.....	36
	6.4 Kühl- und Gefrierkombination anschließen	38
	6.4.1 Anschluss an 12/24 V DC.....	38
	6.4.2 Anforderungen an die 12/24-V-DC-Verkabelung.....	38
	6.4.3 12/24-V-DC-Anschlussbuchse	39
	6.4.4 Anschluss an 100-240 V AC	40
	6.4.5 Anschluss an einen motorgetriebenen Generator	40
	6.5 Kabelschellen	41
	6.6 Hinweise zum Energiesparen.....	41
	6.7 Deckel abnehmen.....	42
	6.8 Kühl- und Gefrierkombination ein- oder ausschalten	43
	6.9 Kühltemperatur im Innenraum einstellen	43
	6.10 Anzeige zwischen °C und °F umschalten	43
	6.11 Batteriewächter verwenden.....	44
	6.12 Nutzung des Korbs	45
	6.13 Trennmodul für den Korb.....	46
	6.14 Ablassschraube	46
	6.15 Kühl- und Gefrierkombination abtauen.....	47
	6.16 Gehäusesicherung wechseln	47
	6.17 Steckersicherung (12/24 V) austauschen.....	48
	6.18 Lampe wechseln.....	49
	6.19 Kühl- und Gefrierkombination lagern.....	49
	6.20 Ändern des Übertragungskanal.....	50
	6.21 Ändern der Helligkeit des Bedienfeldes	50
	6.22 Anzeigen der Versorgungsspannung	50
7	REINIGUNG UND PFLEGE.....	51
8	ENTSORGUNG	51
9	BEHEBUNG VON MÖGLICHEN STÖRUNGEN	52
10	GARANTIE	54
11	TECHNISCHE DATEN.....	55

1 EINFÜHRUNG

Herzlichen Glückwunsch für den Kauf einer ARB Kühl- und Gefrierkombination. Ihr ARB Kühlschrank wurde speziell für harte Offroad Bedingungen entwickelt und seine Hauptaufgabe ist es Nahrungsmittel und Getränke zu kühlen. Er kann aber auch, wenn gewünscht, als Gefrierschrank genutzt werden. Wenn Sie die Anweisungen und Richtlinien aus diesem Dokument befolgen, sorgen Sie für optimale Leistung und langfristige Zuverlässigkeit Ihrer neuen Kühl- und Gefrierkombination.

Die ARB Kühl- und Gefrierkombination wurde für den Anschluss an eine 12-V-DC- oder 24-V-DC-Versorgung in einem Fahrzeug, Boot oder Caravan entwickelt. Über den integrierten Stromwandler kann das Gerät auch an eine 100-240-V-AC-Steckdose angeschlossen werden.

ACHTUNG - Wenn Sie medizinische Produkte kühlen möchten, vergewissern Sie sich, ob die Kühlkapazität der Kühl- und Gefrierkombination für diesen Zweck ausreicht.

2 LIEFERDATEN

Zum Lieferumfang der ARB Kühl- und Gefrierkombination gehören die folgenden Komponenten. Sollten eine oder mehrere dieser Komponenten fehlen, wenden Sie sich bitte an Ihren ARB-Händler für Kühl- und Gefrierkombinationen vor Ort.

<i>POS</i>	<i>MENGE</i>
<i>ARB Kühl- und Gefrierkombination</i>	<i>1</i>
<i>Reversibler Korb</i>	<i>1</i>
<i>Trennmodul für den Korb</i>	<i>1</i>
<i>12/24-V-Stromkabel</i>	<i>1</i>
<i>100-240-V-Stromkabel</i>	<i>1</i>
<i>Bedienungs- und Serviceanleitung für die ARB Kühl- und Gefrierkombination</i>	<i>1</i>
<i>Garantie- und Kundendienstbroschüre für die ARB Kühl- und Gefrierkombination</i>	<i>1</i>

3 SICHERHEITSHINWEISE

3.1 Grundlegende Sicherheit

Um die Sicherheit aller Personen zu gewährleisten, die die Kühl- und Gefrierkombination verwenden werden, empfiehlt ARB, dass Sie die folgenden allgemeinen Sicherheitshinweise beachten.

- Die Kühl- und Gefrierkombination muss stets mit der entsprechenden Spannung und der richtigen Polarität gespeist werden.
- Schließen Sie die Kühl- und Gefrierkombination nicht an ein Batterieladegerät, einen AC/DC-Wandler oder Gleichrichter an.
- Trennen Sie die Kühl- und Gefrierkombination von der Batterie, bevor Sie ein Hochgeschwindigkeits-Batterieladegerät anschließen.
- Verwenden Sie keine scharfen, abrasiven oder aggressiven Materialien, um die Kühl- und Gefrierkombination zu reinigen oder abzutauen.
- Kinder sollten beaufsichtigt werden, um sicherzustellen, dass sie nicht mit der Kühl- und Gefrierkombination spielen.
- Dieses Gerät ist nicht für die Benutzung durch Personen (inkl. Kindern) mit eingeschränkten physischen, sensorischen oder mentalen Fähigkeiten, mangelnden Erfahrungen und Wissen geeignet, es sei denn, sie werden von einer für ihre Sicherheit verantwortlichen Person beaufsichtigt oder haben von dieser Person eine entsprechende Einweisung in die Benutzung des Geräts erhalten.
- Wenn das Stromkabel beschädigt ist, müssen Sie es ersetzen, bevor Sie die Kühl- und Gefrierkombination verwenden.
- Bevor Sie das Gerät reinigen oder warten, müssen Sie die Kühl- und Gefrierkombination vollständig von der Stromzufuhr trennen.
- In oder in der Nähe der Kühl- und Gefrierkombination dürfen keine entflammaren Flüssigkeiten oder Gase gelagert werden.
- Der Kühlkreislauf darf nicht geöffnet oder manipuliert werden.
- Die elektrischen Komponenten dürfen weder entfernt noch Änderungen daran vorgenommen werden.
- In der Kühl- und Gefrierkombination dürfen keine ätzenden oder auf Lösungsmittel basierende Stoffe gelagert oder transportiert werden.
- Verwenden Sie die ARB Kühl- und Gefrierkombination nicht, wenn sichtbare Anzeichen einer Beschädigung vorliegen.
- Lassen Sie Reparaturen oder Wartungsarbeiten an der Kühl- und Gefrierkombination nur von einem autorisierten ARB-Kundendienstbeauftragten für Kühl- und Gefrierkombinationen durchführen.
- Bewahren Sie keine explosiven Stoffe oder Objekte, wie beispielsweise Spraydosen mit brennbarem Treibmittel in diesem Gerät.
- Dieses Gerät ist für den Hausgebrauch und ähnliche Anwendungsbereichen vorgesehen, wie z. B:
 - Personalküchenbereichen in Läden, Büros und anderen Arbeitsbereichen.
 - In der Landwirtschaft und von Gästen in Hotels, Motels und anderen Unterkünften.
 - In Frühstückspensionen
 - Im Catering und ähnlichem Großhandelseinsatz

3.2 Sicherer Betrieb der Kühl- und Gefrierkombination

Um den sicheren Betrieb der Kühl- und Gefrierkombination zu gewährleisten, empfiehlt ARB, dass Sie die folgenden Sicherheitshinweise beachten.

- Stellen Sie sicher, dass jederzeit die Ventilation um die Kühl- und Gefrierkombination ausreicht, um ein Überhitzen zu vermeiden. Einzelheiten finden Sie in Abschnitt 5.1.
- Berühren Sie die innere Metallhülle der Kühl- und Gefrierkombination nicht mit feuchten Händen.
- Stellen Sie die Kühl- und Gefrierkombination nicht in der Nähe von offenen Flammen oder anderen Wärmequellen (Heizung, Lagerfeuer, Gasöfen, starke Sonneneinstrahlung usw.) ab.
- Füllen Sie keine Flüssigkeiten oder Eis in den Kühlbereich der Kühl- und Gefrierkombination.
- Im Inneren der Kühl- und Gefrierkombination dürfen keine elektrischen Geräte eingesetzt werden.
- Schützen Sie die Kühl- und Gefrierkombination vor Regen und Feuchtigkeit.
- Verwenden Sie die Kühl- und Gefrierkombination nicht, wenn Sie vermuten, dass das elektrische System Wasser ausgesetzt wurde.
- Verwenden Sie die Kühl- und Gefrierkombination nicht, wenn diese ins Wasser gefallen ist.

4 EINFÜHRUNG IN DIE ARB KÜHL- UND GEFRIERKOMBINATION

Die Hauptkomponenten der ARB Kühl- und Gefrierkombination werden nachfolgend in den Abbildungen 1 bis 4 dargestellt.

Abbildung 1 – Vorderseite des Kühlschranks

Abbildung 2 – Hinterseite des Kühlschranks

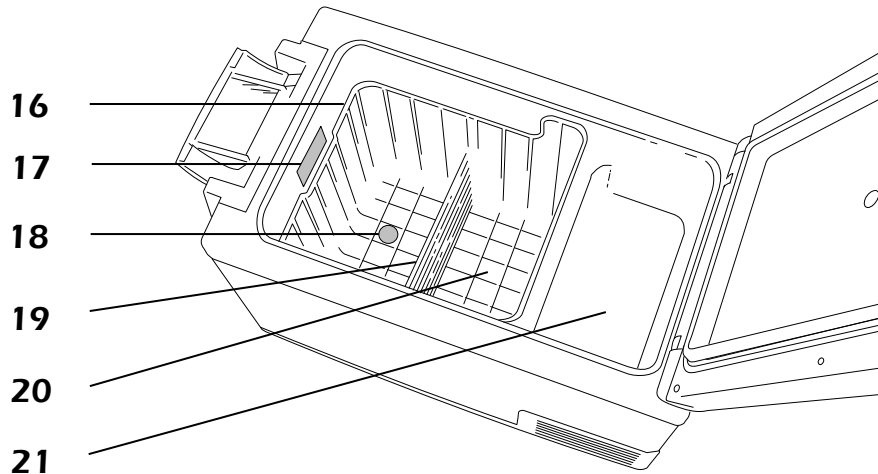
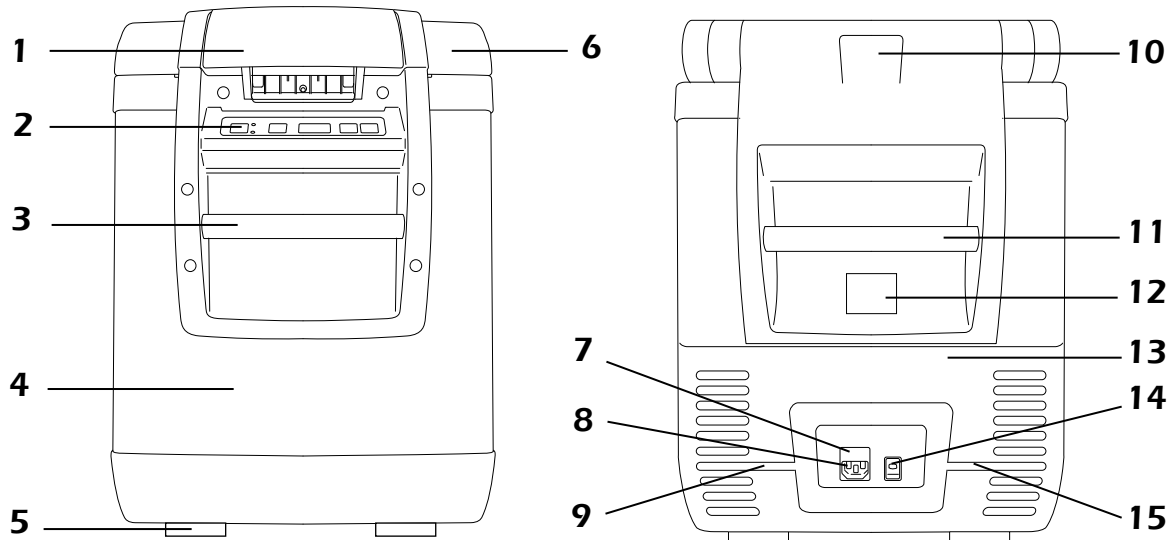
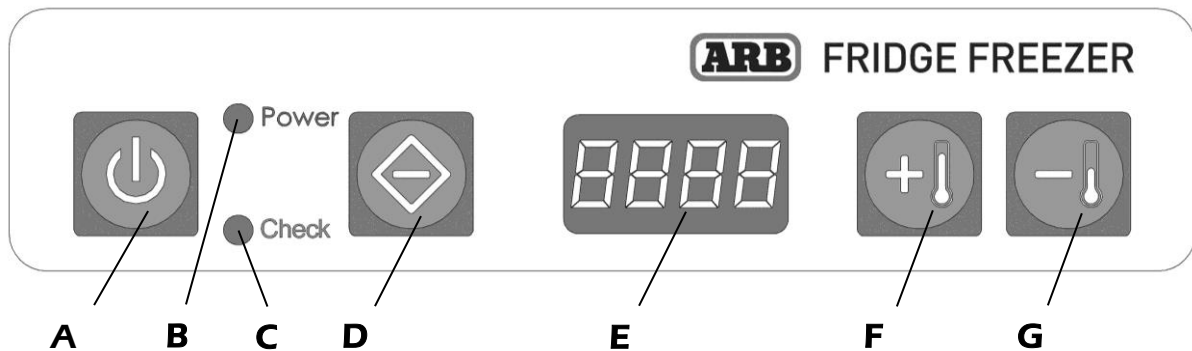


Abbildung 3 – Innere Kühlkammer

- | | |
|--|--|
| 1. Deckelverriegelung | 12. Typenschild und Seriennummer |
| 2. Bedienfeld | 13. Motoreinfassung |
| 3. Vorderer Tragegriff | 14. 12/24-V-DC-Steckdose |
| 4. Pulverbeschichtete Kühlkammer aus feuerverzinktem Feinblech | 15. 12/24-V-DC-Kabelschelle |
| 5. GummifüÙe x 4 | 16. Reversibler Korb |
| 6. Deckel | 17. LED-Kühlkammerlampe |
| 7. Gehäusesicherung | 18. Ablassschraube |
| 8. 100/240-V-AC-Steckdose | 19. Trennmodul für den Korb |
| 9. 100/240-V-AC-Kabelschelle | 20. Hauptkühlkammer |
| 10. Deckelstopp | 21. Kühlkammer für Milchprodukte/Früchte |
| 11. Hinterer Tragegriff | 22. Buchse für Funksender |

Die Kühlkammer für Milchprodukte/Früchte der ARB Kühl- und Gefrierkombination wurde so konstruiert, dass die Temperatur dort wärmer ist als in der Hauptkühlkammer. Dadurch eignet sich dieser Bereich besonders gut, um ausgewählte Produkte, wie Milchprodukte, Früchte, Gemüse oder Schokolade aufzubewahren.

Abbildung 4 – Bedienfeld



- A. Power ON / OFF-Taste
- B. Power-LED *
- C. Check (Überprüfen)-LED
- D. Funktionstaste
- E. Digitale Temperaturanzeige
- F. Taste, um die Temperatur zu erhöhen
(die Einstellung nach oben zu verändern)
- G. Taste, um die Temperatur zu vermindern
(die Einstellung nach unten zu verändern)

* Wenn der Kompressor läuft, leuchtet die Power-LED grün. Wenn der Kompressor nicht läuft, leuchtet die Power-LED orange (z. B. wenn die Kühl- und Gefrierkombination die Zieltemperatur erreicht hat).

5 MONTAGE

5.1 Allgemeine Montage

Beachten Sie die folgenden Punkte, wenn Sie die Lage für den Einbau der ARB Kühl- und Gefrierkombination planen.

- An allen Seiten der Kühl- und Gefrierkombination muss mindestens 50 mm Platz frei bleiben.
- Unabhängig davon, ob es sich um einen dauerhaften oder vorübergehenden Einbau handelt, müssen Sie die Kühl- und Gefrierkombination an sicheren Ankerpunkten befestigen.
- Die ideale Montageposition der Kühl- und Gefrierkombination befindet sich auf einer flachen, horizontalen Oberfläche. Bei einer Seitwärtsneigung (z. B. Krängung auf einem Boot), kann die Kühl- und Gefrierkombination einer Seitenneigung von bis zu 30° widerstehen.
- Positionieren Sie die Kühl- und Gefrierkombination nicht in der Nähe von scharfen oder heißen Objekten.
- Stellen Sie die Kühl- und Gefrierkombination nicht in der Nähe von losen Objekten auf, die auf die Kühlkammer fallen und den Betrieb behindern könnten.
- Unter keinen Umständen dürfen Sie die Kühl- und Gefrierkombination in der Nähe von entflammaren Flüssigkeiten oder Gasen benutzen.
- Vermeiden Sie die Lagerung des Kuehlschranks auf der Seite liegend.

5.2 Montage in einem Fahrzeug

5.2.1 Dauerhafte Montage

Die ARB Kühl- und Gefrierkombination verfügt über vier Gewindeeinsätze in der Basis, über die es möglich ist, den Kühlschrank an einer festen Basis oder Kühlschranksschiene dauerhaft zu befestigen. Jeweils ein Gewindeeinsatz befindet sich in der Mitte eines jeden Gummifußes. ARB empfiehlt diese Montagemethode für die dauerhafte Montage der Kühl- und Gefrierkombination. Wenn die Kühl- und Gefrierkombination regelmäßig ausgebaut wird, lesen Sie Abschnitt 5.2.2 (zeitweise Montage).

Gehen Sie wie folgt vor, um die Kühl- und Gefrierkombination dauerhaft zu montieren:

- Positionieren Sie die Kühl- und Gefrierkombination auf der Montagefläche an der gewünschten Position und markieren Sie die Schrankumrisse.
- Entfernen Sie die Kühl- und Gefrierkombination und markieren Sie die Schrankmitte. Die Mitte wird als Punkt C in Abbildung 5a dargestellt.
- Markieren und bohren Sie vier Löcher mit einem Durchmesser von 6,5 mm in die Montagefläche. Verwenden Sie dabei das Diagramm in Abbildung 5a als Richtlinie.
- Um die Ablassschraube zu nutzen, markieren und bohren Sie ein Loch mit 13 mm Durchmesser in die Montageoberfläche (an Punkt C), wie in Abbildung 5a dargestellt.
- Entfernen Sie mit einem Inbusschlüssel die M6-Schraube aus der Mitte der vier Gummifüße, wie in Abbildung 5b dargestellt. Vergewissern Sie sich, dass die Gummifüße dabei im Schrankboden verbleiben.
- Positionieren Sie die Kühl- und Gefrierkombination auf der Montagefläche, so dass die Bohrungen an den Gewindeeinsätzen im Schrank ausgerichtet sind.
- Befestigen Sie mit M6-Schrauben den Schrank an der Montagefläche, wie in Abbildung 5c dargestellt. Achten Sie beim Anziehen der M6-Schrauben darauf, dass das Montagedrehmoment von 3,5 Nm (2.5 lbft) nicht überschritten wird. ARB empfiehlt, kein dauerhaftes Gewindedichtmittel auf die Schrauben aufzutragen.

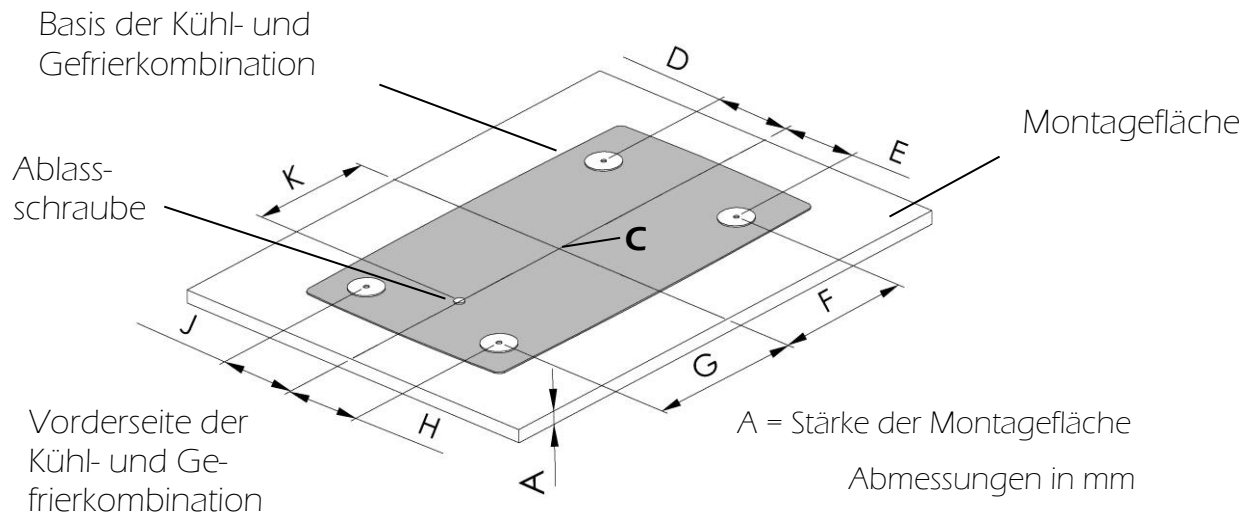
HINWEIS:

- **Die Gummifüße müssen zwischen dem Schrankboden und der Montagefläche montiert werden.**
- **Wenn längere Schrauben benötigt werden, müssen Sie hochfeste M6 x 1,0 Innensechskantschrauben mit einer Mindestgüte von 8,8 verwenden. Um Schäden an den elektrischen Komponenten im Kühlschrank zu vermeiden, darf die Schraubenlänge nur durch die Stärke der Montagefläche (Abmessung 'A' in Abbildung 5a) plus 8 mm für die Aussparung in den Gummifüßen erhöht werden.**
- **Beim Entfernen der M6-Schrauben sollten Sie die Kühl- und Gefrierkombination nicht auf die Seite drehen.**

5.2.2 Zeitweise Montage

Der Strahlgriff an jedem Ende der ARB Kühl- und Gefrierkombination wurde so konstruiert, dass er als Verankerungspunkt verwendet werden kann. ARB empfiehlt die Verwendung des ARB Verankerungssystems, um die Kühl- und Gefrierkombination sicher an festen Verankerungspunkten zu montieren.

Abbildung 5a



Inhalt	D	E	F	G	H	J	K
35/47L (mm/in)	120/4.72	120/4.72	215/8.46	245/9.65	120/4.72	120/4.72	193/7.60
60/78L (mm/in)	155/6.10	155/6.10	285/11.22	315/12.40	155/6.10	155/6.10	277/10.91

Abbildung 5b

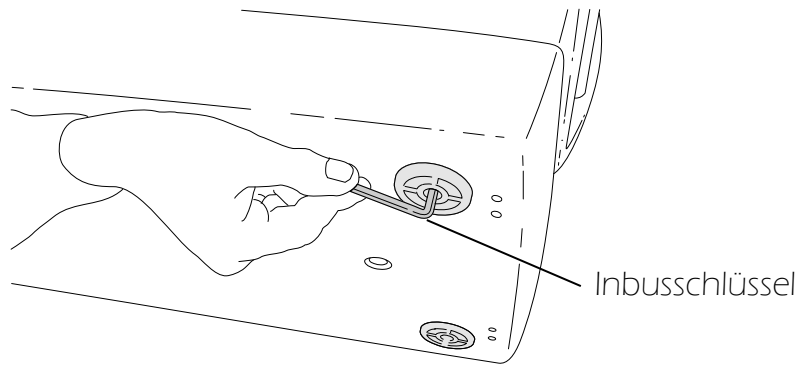
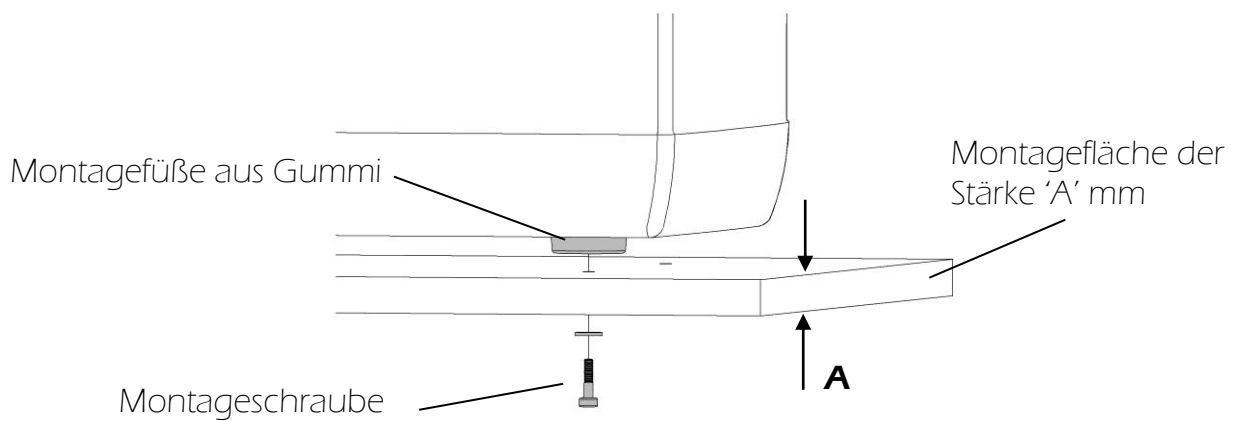


Abbildung 5c



6 BETRIEB

6.1 Vor dem Gebrauch

Bevor Sie die neue Kühl- und Gefrierkombination in Betrieb nehmen, sollten Sie diese innen und außen mit einem feuchten Tuch reinigen. Weitere Einzelheiten zur Instandhaltung der Kühl- und Gefrierkombination finden Sie im Kapitel „Reinigung und Instandhaltung“.

6.2 Kühl- und Gefrierkombination tragen

Die ARB Kühl- und Gefrierkombination verfügt über einen pulverbeschichteten Stahlgriff an beiden Seiten des Kühlschranks. Die Kühl- und Gefrierkombination sollte an diesen Griffen getragen werden, wenn sie angehoben oder transportiert werden soll.

WARNUNG – Unter keinen Umständen DARF die Kühl- und Gefrierkombination an der Deckelverriegelung getragen werden, wenn sie gehoben oder transportiert werden soll.

ACHTUNG – Die Kühl- und Gefrierkombination sollte immer von wenigstens zwei Personen angehoben werden.

6.3 Kühl- und Gefrierkombination öffnen

Die ARB Kühl- und Gefrierkombination verfügt über eine Deckelverriegelung über der Mitte, die einen positiven Druck zwischen dem Deckel, dem Schrank und der Deckeldichtung bereitstellt.

Gehen Sie wie folgt vor, um den Deckel der Kühl- und Gefrierkombination zu öffnen:

- Fassen Sie mit der Hand unter die Verriegelung, wie in Abbildung 6a dargestellt.
- Heben Sie die Verriegelung nach oben und weg vom Gehäuse der Kühl- und Gefrierkombination. Die Verriegelung öffnet sich in einem Bogen weg von der Kühl- und Gefrierkombination, wie dargestellt.
- Lassen Sie die Verriegelung los, sobald sie sich vom Deckel der Kühl- und Gefrierkombination gelöst hat. In Abbildung 6b sehen Sie die Verriegelung in geöffneter Position.
- Fassen Sie mit der Hand unter den Fingergriff des Deckels, wie in Abbildung 6c dargestellt.

Gehen Sie wie folgt vor, um den Deckel der Kühl- und Gefrierkombination zu schließen:

- Positionieren Sie die Verriegelung auf den Anschlägen der Verriegelung, wie in Abbildung 6d dargestellt.
- Drücken Sie die Verriegelung zum Gerät der Kühl- und Gefrierkombination, bis die Verriegelung einrastet, wie in Abbildung 6e dargestellt. Die Verriegelung rastet hörbar ein, während sie geschlossen wird.
- Die Verriegelung ist nun geschlossen.

Abbildung 6a

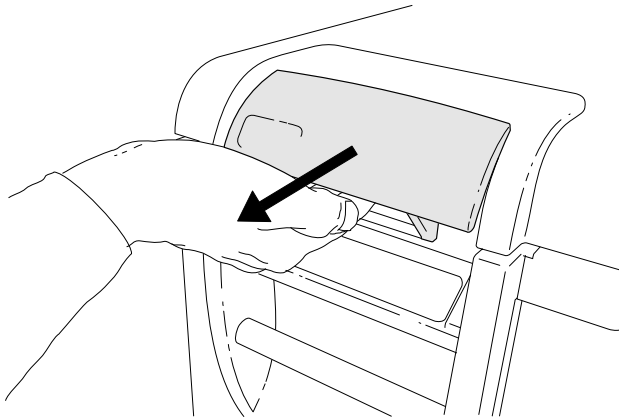


Abbildung 6b

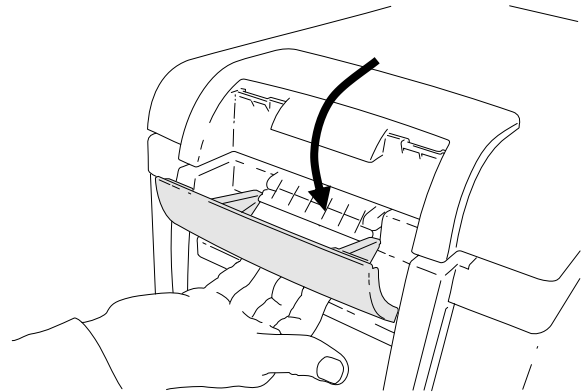


Abbildung 6c

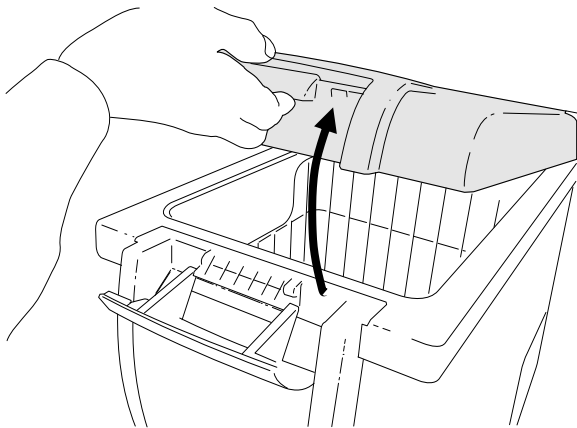


Abbildung 6d

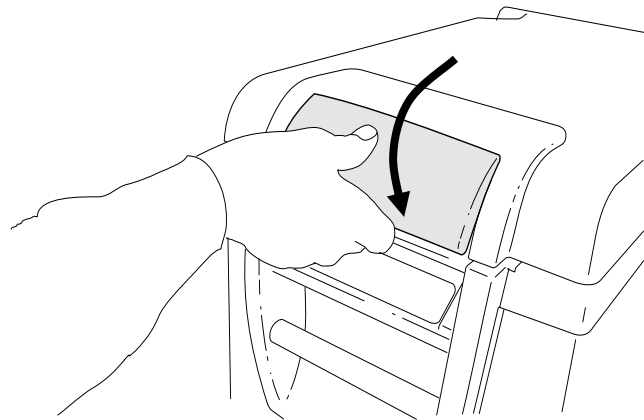
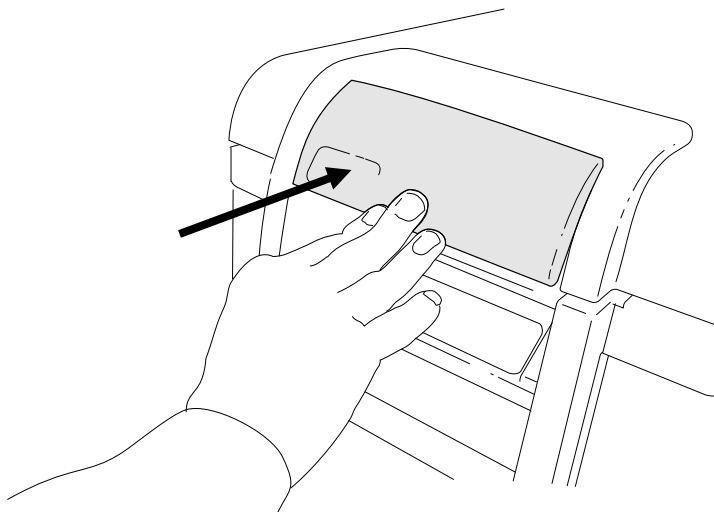


Abbildung 6e



6.4 Kühl- und Gefrierkombination anschließen

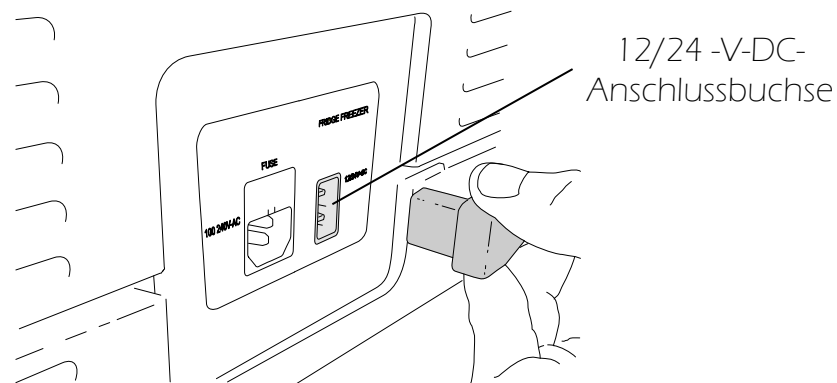
6.4.1 Anschluss an 12/24 V DC

Die ARB Kühl- und Gefrierkombination kann entweder mit 12 V oder 24 V DC betrieben werden. Die Kühl- und Gefrierkombination ist mit einem Steuerschaltkreis ausgerüstet, um eine Polaritätsumkehr und einen möglichen Kurzschluss zu vermeiden, wenn das Gerät an eine Batterie angeschlossen ist.

Gehen Sie wie folgt vor, um die Kühl- und Gefrierkombination an eine 12-V- oder 24-V-DC-Stromquelle anzuschließen:

- Stecken Sie das 12/24-V-Stromkabel in die DC-Anschlussbuchse an der Rückseite der Kühl- und Gefrierkombination ein, wie in Abbildung 7 dargestellt.
- Verbinden Sie das freie Ende des Stromkabels mit einer 12-V- oder 24-V-DC-Stromquelle.

Abbildung 7



6.4.2 Anforderungen an die 12/24-V-DC-Verkabelung

Damit die optimale Leistung der ARB Kühl- und Gefrierkombination gewährleistet ist, ist es wichtig, dass das Kabelsystem die erforderliche Last übertragen kann. In vielen Fahrzeugen ist das Kabelsystem für Zusatzgeräte nicht geeignet für eine solche Aufgabe.

ARB empfiehlt den Einbau eines dedizierten Kabelschaltkreises zur Speisung der Kühl- und Gefrierkombination. Dieser Schaltkreis sollte so kurz wie möglich sein und direkt an der Stromquelle über eine 10-A-Sicherung angeschlossen sein.

Bei einem Einbau in einem Automobil oder Boot empfiehlt ARB den Anschluss des Kabelschaltkreises an eine isolierte Stromversorgung, wie eine zusätzliche Batterie. Auf diese Weise wird verhindert, dass die Hauptstarterbatterie entladen wird.

Bei Kabellängen bis 6 m empfiehlt ARB einen minimalen Kabeldurchmesser von 6 mm.

Bei größeren Kabellängen als 6 m empfiehlt ARB, dass Sie einen qualifizierten Techniker fragen, welcher Kabeldurchmesser im entsprechenden Fall geeignet ist.

6.4.3 12/24-V-DC-Anschlussbuchse

Der Stecker des 12/24-V-DC-Netzkabels verfügt über eine abnehmbare Adaptermanschette. Bei einer Manschette wie in Abbildung 8a, passt dieser Stecker in eine konventionelle Fahrzeugsteckdose für Zusatzgeräte (Zigarettenanzünder). Wenn die Adaptermanschette wie in Abbildung 8b entfernt wird, passt dieser Stecker in eine ARB 2-polige Steckdose für Zusatzgeräte.

Abbildung 8a

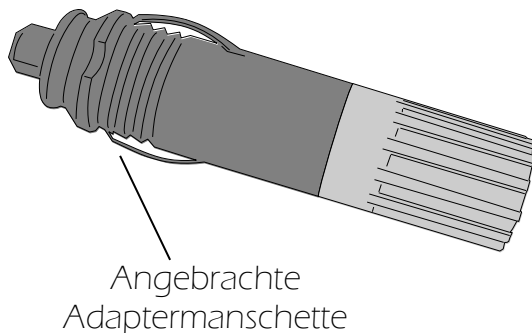
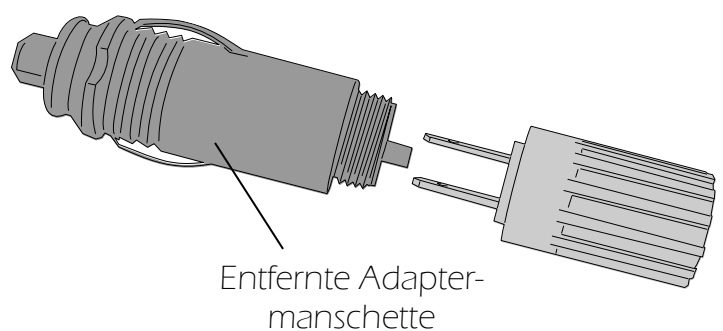


Abbildung 8b



ARB empfiehlt nachdrücklich, diese 2-polige Verbindung für alle 12-V-DC- und 24-V-DC-Verbindungen der Kühl- und Gefrierkombination zu verwenden. Auf diese Weise wird eine positive und sichere Verbindung zwischen der Stromquelle und der Kühl- und Gefrierkombination realisiert.

Beachten Sie die folgenden Punkte, wenn Sie die Lage für die Zusatzgerätesteckdose für die Kühl- und Gefrierkombination auswählen.

- Positionieren Sie die Steckdose so nah wie dies unter praktischen Gesichtspunkten möglich ist an die Kühl- und Gefrierkombination.
- Positionieren Sie die Steckdose an einer bequemen Stelle, die es dem Anwender möglich macht, den Stecker ohne großen Aufwand in die Steckdose zu stecken oder daraus zu entfernen.
- Positionieren Sie die Steckdose an einer vor Staub und Feuchtigkeit geschützten Position.
- Positionieren Sie die Steckdose im Fahrzeug an einer erhöhten Position, um zu verhindern, dass diese nass wird, sollte Wasser in das Fahrzeug eindringen.

HINWEIS – Wenn der Stecker oder adaptermanschette entfernt wird und die Kühl- und Gefrierkombination über eine direkte Kabelverbindung am 12-V- oder 24-V-DC angeschlossen wird, muss sich eine in Reihe geschaltete 10-A-Sicherung im Schaltkreis befinden.

6.4.4 Anschluss an 100-240 V AC

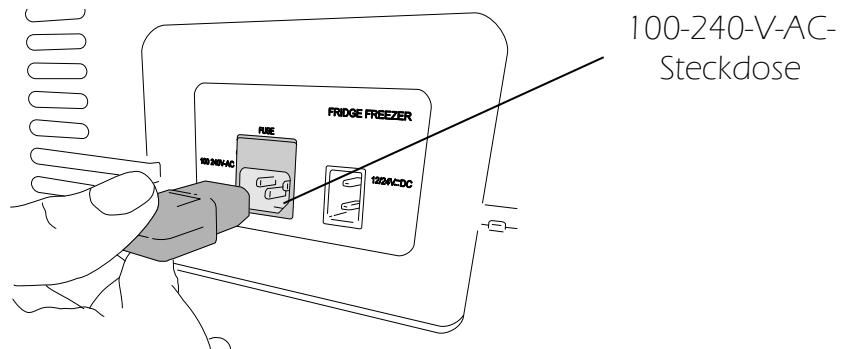
Die ARB Kühl- und Gefrierkombination kann auch mit einer Wechselspannung von 100-240 V betrieben werden. Die Kühl- und Gefrierkombination verfügt über eine Vorrangsschaltung, die der Wechselspannung aus dem Stromnetz Vorrang vor Gleichstrom gibt. Wenn die Kühl- und Gefrierkombination sowohl an Wechselstrom als auch an Gleichstrom angeschlossen wird, läuft das Gerät mit Wechselstrom.

HINWEIS: Beim Umschalten zwischen Wechselstrom und Gleichstrom kann kurzzeitig die rote LED leuchten.

Anschluss der Kühl- und Gefrierkombination an eine Wechselstromquelle mit 100-240 V:

- Stecken Sie das 100-240-V-Stromkabel in die AC-Anschlussbuchse an der Rückseite der Kühl- und Gefrierkombination ein, wie in Abbildung 9 dargestellt.
- Verbinden Sie das freie Ende des Stromkabels mit einer 100-240-V-Wechselstromquelle.

Abbildung 9



ACHTUNG – Hantieren Sie nie mit Steckern, Leitungen und Schaltern, wenn Sie nasse Hände haben oder mit den Füßen in der Nässe stehen.

ACHTUNG – Wenn Sie die Kühl- und Gefrierkombination über eine 100-240-V-AC-Wechselstromquelle speisen, muss ein Reststrom-Leistungsschalter im Schaltkreis eingebaut werden. ARB empfiehlt, lassen Sie sich von einem Fachmann beraten.

6.4.5 Anschluss an einen motorgetriebenen Generator

Beachten Sie die folgenden Punkte, bevor Sie die ARB Kühl- und Gefrierkombination an einen motorgetriebenen Generator anschließen.

- Der Generator muss mit einem automatischen Spannungsregler ausgerüstet sein. Er muss Wechselstrom in Form einer herkömmlichen reinen Sinuswelle ohne Spannungs- oder Frequenzfluktuationen bereitstellen (z. B. 120 V AC~ 60 Hz oder 240 V AC~50 Hz).
- Wenn Sie den DC-Ausgang des Generators verwenden, müssen Sie eine Batterie mit der korrekten Spannung (12 oder 24 V) zwischen den Generator und der Kühl- und Gefrierkombination schalten.
- Die Kühl- und Gefrierkombination sollte ausgeschaltet sein, wenn Sie den Generator anlassen und anhalten.

ACHTUNG – Einige motorgetriebene Generatoren sind nicht für die Speisung der Kühl- und Gefrierkombination geeignet.

6.5 Kabelschellen

Die ARB Kühl- und Gefrierkombination verfügt über Kabelschellen an der Geräterückseite, um die 12/24-V-DC- und 100-240-V-AC-Kabel zu halten. Die Kabelschellen haben die korrekte Größe für die Stromkabel aus dem Lieferumfang der Kühl- und Gefrierkombination. Die Kabelschelle auf der linken Seite in Abbildung 10a ist für das 100-240-V-AC-Kabel gedacht. Die Kabelschelle auf der rechten Seite in Abbildung 10b ist für das 12/24-V-DC-Kabel gedacht.

Abbildung 10a

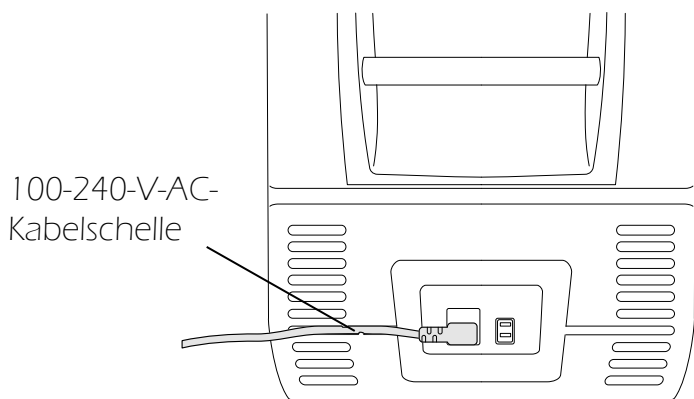
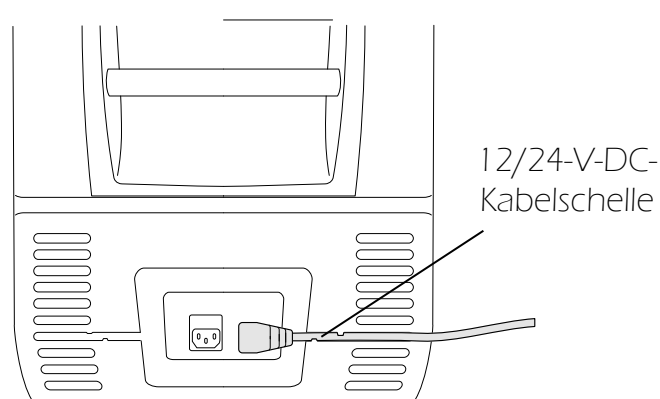


Abbildung 10b



Gehen Sie wie folgt vor, um das Kabel in die Kabelschelle einzulegen:

- Stecken Sie das Stromkabel in die richtige Anschlussbuchse. Siehe Abschnitt 6.4.
- Ausgehend vom Ende, das sich am nächsten zum Stecker befindet, drücken Sie das Kabel durch eine Drehbewegung in die Kabelschelle. Durch die Drehbewegung sorgen Sie dafür, dass sich das Kabel unter die Schellen schiebt.

HINWEIS – Gehen Sie beim Installieren und Entfernen der Kabel vorsichtig vor, um Schäden am Gerät der Kühl- und Gefrierkombination oder an den Stromkabeln zu vermeiden.

WARNUNG – Die Kabelschellen haben die entsprechende Größe für die Stromkabel aus dem Lieferumfang der Kühl- und Gefrierkombination. ARB empfiehlt nicht, andere Kabel in diesen Schellen zu verwenden.

6.6 Hinweise zum Energiesparen

ARB empfiehlt das Folgende, um Ihnen beim Erreichen der optimalen Leistung der Kühl- und Gefrierkombination zu helfen.

- Stellen Sie die Kühl- und Gefrierkombination an einem gut belüfteten Platz auf, der vor Sonnenstrahlen geschützt ist.
- Versuchen Sie die Häufigkeit der Öffnungen der Kühl- und Gefrierkombination auf ein Minimum zu beschränken.
- Lassen Sie den Deckel nicht länger offen stehen als nötig.
- Stellen Sie die Zieltemperatur nicht unnötig niedrig ein.
- Tauen Sie den Kühlschrank ab, sobald sich eine Eisschicht gebildet hat.

6.7 Deckel abnehmen

Der Deckel der ARB Kühl- und Gefrierkombination kann schnell und bequem abgenommen und wieder angebracht werden.

Gehen Sie wie folgt vor, um den Deckel der Kühl- und Gefrierkombination abzunehmen:

- Öffnen Sie den Deckel, so dass die interne Deckelleiste nicht mehr in Verbindung mit dem Gehäuse der Kühl- und Gefrierkombination ist, wie in Abbildung 11a dargestellt. Das Verfahren zum Öffnen des Deckels der Kühl- und Gefrierkombination wird in Abschnitt 6.3 beschrieben.
- Greifen Sie den Deckel fest mit beiden Händen.
- Ziehen Sie den Deckel zur Vorderseite des Kühlschranks, wie in Abbildung 11b dargestellt. Die Scharnierstifte lösen sich und Sie können den Deckel vom Gehäuse der Kühl- und Gefrierkombination abnehmen.

Abbildung 11a

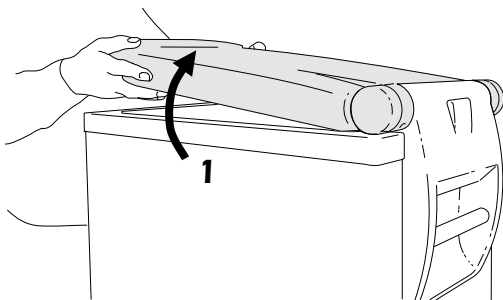
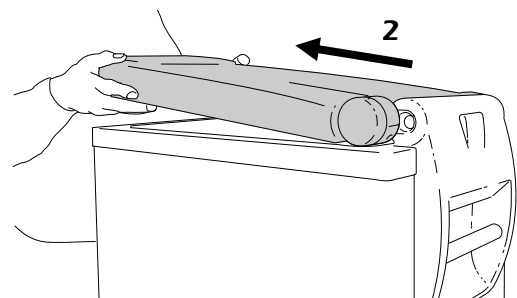


Abbildung 11b



TIPP – Wenn Sie Schwierigkeiten haben, um den Deckel abzunehmen, wenden Sie etwas Kraft von der Seite an, während Sie den Deckel nach vorn ziehen. Auf diese Weise lösen sich die Scharnierstifte leichter.

Gehen Sie wie folgt vor, um den Deckel der Kühl- und Gefrierkombination wieder anzubringen:

- Positionieren Sie den Deckel oben auf dem Gehäuse. Die Scharnierstifte sind dabei an den Aussparungen der Stifte ausgerichtet, wie in Abbildung 11c dargestellt. Der Deckel muss dabei leicht schräg stehen, damit die interne Deckelleiste keinen Kontakt mit dem Gehäuse der Kühl- und Gefrierkombination hat.
- Drücken Sie den Deckel zur Rückseite des Gehäuses, so dass die Scharnierstifte in die Aussparungen rutschen, wie in Abbildung 11d dargestellt.
- Die Scharnierstifte rasten in den Aussparungen mit einem deutlichen Klick ein.
- Öffnen und schließen Sie den Deckel, um sicherzustellen, dass beide Scharnierstifte korrekt sitzen.
- Schließen Sie die Verriegelung, indem Sie die in Abschnitt 6.3 beschriebenen Schritte durchführen.

Abbildung 11c

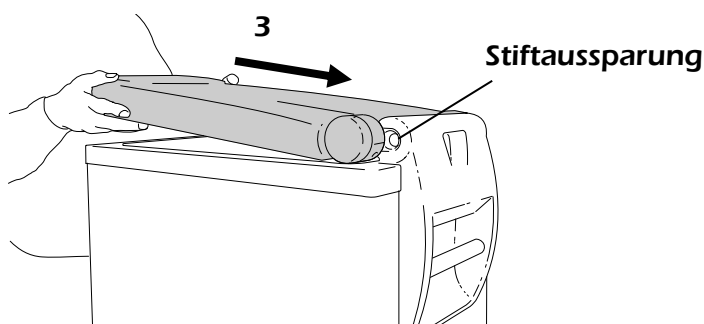
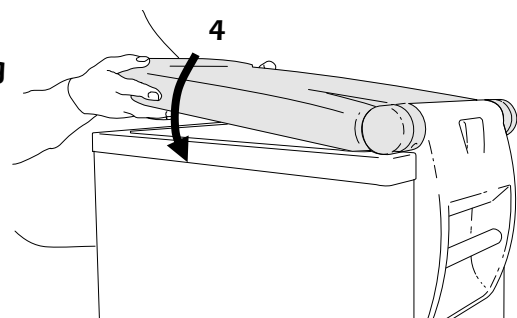


Abbildung 11d



6.8 Kühl- und Gefrierkombination ein- oder ausschalten

Gehen Sie wie folgt vor, um die ARB Kühl- und Gefrierkombination einzuschalten:

Halten Sie die Taste  zwei bis drei Sekunden lang gedrückt.

- Wenn die Kühl- und Gefrierkombination eingeschaltet ist, leuchtet die Power-LED grün auf.
- Auf dem Display wird die aktuelle Temperatur im Kühlschrank angezeigt.



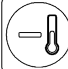

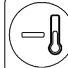
HINWEIS - Bei der aktuellen Kühlschranktemperatur handelt es sich um eine Messung aus der Mitte des Innenraums. Die Temperatur kann in anderen Bereichen des Kühlschranks von dieser Temperatur abweichen.

Gehen Sie wie folgt vor, um die Kühl- und Gefrierkombination auszuschalten:

- Halten Sie die Taste  zwei bis drei Sekunden lang gedrückt.
- Wenn die Kühl- und Gefrierkombination ausgeschaltet ist, werden auch die Power-LED und das Display ausgeschaltet.

6.9 Kühltemperatur im Innenraum einstellen

Gehen Sie wie folgt vor, um die Zieltemperatur im Kühlschrank der ARB Kühl- und Gefrierkombination festzulegen:




- Schalten Sie die Kühl- und Gefrierkombination ein.
- Drücken Sie  einmal, um die aktuelle Zieltemperatur im Kühlschrank anzuzeigen.
- Drücken Sie , um die Zieltemperatur um jeweils ein Grad zu erhöhen.
- Drücken Sie , um die Zieltemperatur um jeweils ein Grad abzusenken.
- Drücken Sie so lange  oder , bis Sie die gewünschte Zieltemperatur für den Kühlschrank eingestellt haben.
- Nach 5 bis 6 Sekunden Inaktivität blinkt das Display zweimal auf und zeigt wieder die aktuelle Innenraumtemperatur an.

HINWEIS - Wenn die Zieltemperatur erreicht wurde, wird der Kompressor ausgeschaltet und die Power-LED leuchtet orange.

6.10 Anzeige zwischen °C und °F umschalten

Die ARB Kühl- und Gefrierkombination kann die Temperatur entweder in Grad Celsius (°C) oder Grad Fahrenheit (°F) anzeigen.

Gehen Sie wie folgt vor, um zwischen °C und °F umzuschalten:

- Schalten Sie die Kühl- und Gefrierkombination ein.
- Drücken Sie  zweimal, um die aktuelle Einstellung der Temperatureinheit anzuzeigen.
- Drücken Sie  oder , um zwischen °C und °F zu wechseln.
- Nach 5 bis 6 Sekunden Inaktivität blinkt das Display zweimal auf und zeigt wieder die aktuelle Innenraumtemperatur an.

6.11 Batteriewächter verwenden

Die ARB Kühl- und Gefrierkombination verfügt über einen Batteriewächter, um die Entladehöhe der Batterie zu kontrollieren. Der Batteriewächter hat drei Einstellungen: HOCH, MITTEL und NIEDRIG. Bei der Einstellung HOCH stellt der Batteriewächter den maximalen Schutz der Batterie gegen übermäßige Entladung bereit. Bei der Einstellung NIEDRIG ermöglicht der Batteriewächter die maximale Nutzung der in der Batterie gespeicherten Energie. Tabelle 1 zeigt die Ausschaltgrenzen für das Spannungsniveau der drei Einstellungen des Batteriewächters. Die Werkseinstellung ist Mittel

Wird die Kühl- und Gefrierkombination bei ausgeschalteter Zündung im Fahrzeug betrieben, schaltet der Batteriewächter die Kühl- und Gefrierkombination ab, sobald die Versorgungsspannung unter einen vordefinierten Wert abfällt. Die Kühl- und Gefrierkombination wird automatisch wieder eingeschaltet, sobald die Wiedereinschaltspannung erreicht wird.

HINWEIS – Wenn der Batteriewächter aktiv ist, läuft das Kühlaggregat (inkl. Kompressor) nicht. Die Power-LED auf dem Bedienfeld leuchtet OFF und die check (Überprüfen)-LED blinkt ROT. Das Kühlaggregat wird nicht eher wieder eingeschaltet, bis der Spannungspegel der Batterie die in Tabelle 1 aufgeführte Wiedereinschaltspannung erreicht hat.

Tabelle 1



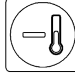
	BATTERIEWÄCHTERMODUS		
	NIEDRIG	MITTEL	HOCH
Ausschaltspannung – 12 V DC	10,1 V	11,4 V	11,8 V
Wiedereinschaltspannung – 12 V DC	11,1 V	12,2 V	12,6 V
Ausschaltspannung – 24 V DC	21,5 V	24,1 V	24,6 V
Wiedereinschaltspannung – 24 V DC	23,0 V	25,3 V	26,2 V

Wenn die Kühl- und Gefrierkombination an die Starterbatterie auf einem 12/24-V-DC-System angeschlossen ist, empfiehlt ARB für den Batteriewächter die Einstellung HOCH/MITTEL zu wählen.

Wenn die Kühl- und Gefrierkombination an eine Hilfsbatterie auf einem 12/24-V-DC-System angeschlossen ist, empfiehlt ARB für den Batteriewächter die Einstellung NIEDRIG zu wählen.

HINWEIS – ARB empfiehlt, die Batterie aufzuladen, sobald der Batteriewächter ausgelöst wurde. ARB empfiehlt außerdem, dass alle elektrischen Geräte ausgeschaltet werden, die nicht unbedingt erforderlich sind und Strom aus derselben Quelle wie die Kühl- und Gefrierkombination ziehen, bis die Batterie vollständig aufgeladen ist.

Gehen Sie wie folgt vor, um die Einstellung für den Batterieschutz zu ändern:

- Schalten Sie die Kühl- und Gefrierkombination ein.
- Drücken Sie  dreimal, um die aktuelle Einstellung den Batterieschutz anzuzeigen.
- Drücken Sie  oder , um die Spannungseinstellung für den Batterieschutz zwischen Hoch (High = HI), Mittel (Medium = NEd) und Niedrig (Low = Lo) zu wechseln.
- Nach 5 bis 6 Sekunden Inaktivität blinkt das Display zweimal auf und zeigt wieder die aktuelle Innenraumtemperatur an.



6.12 Nutzung des Korbs

Die ARB Kühl- und Gefrierkombination verfügt über einen reversiblen Drahtkorb, der die Innenwände im Kühlschrank der Kühl- und Gefrierkombination schützen soll. Sie können den Korb mit der hohen Seite des Korbs gegen die Vorderseite des Kühlschranks wie in Abbildung 12a einsetzen. Sie können dann lange Produkte über den oberen Teil des Innenraums der Kühl- und Gefrierkombination legen. Sie können den Korb neu positionieren, so dass sich die hohe Seite des Korbs in der Mitte des Kühlschranks wie in Abbildung 12b befindet. Dabei wird ein Trennelement mit voller Höhe zwischen dem Hauptkühlbereich und dem Bereich für Milchprodukte/Früchte bereitgestellt.

Abbildung 12a

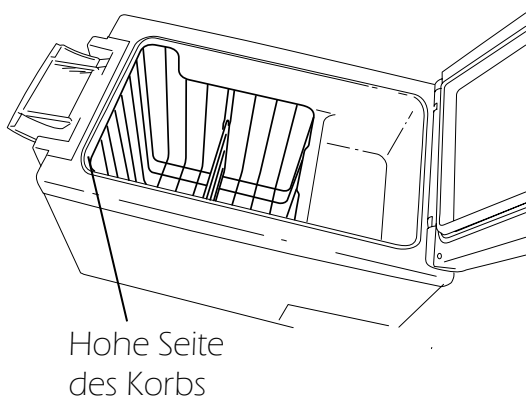
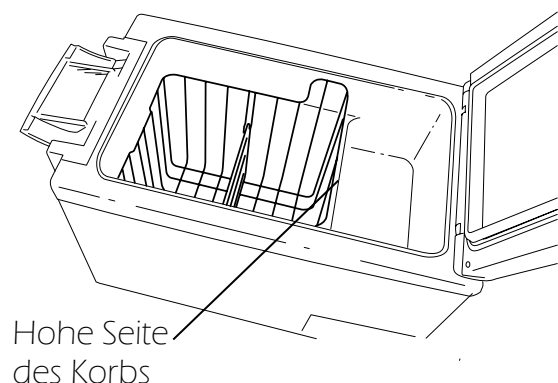


Abbildung 12b



Gehen Sie wie folgt vor, um den Korb aus dem Kühlschrank zu entfernen:

- Heben Sie den Korb senkrecht aus dem Innenraum der Kühl- und Gefrierkombination. Einige Modelle haben einen festen Korb. Zur Umkehrung dieser Körbe, entfernen Sie die Schraube und ersetzen Sie legen positioniert ist.

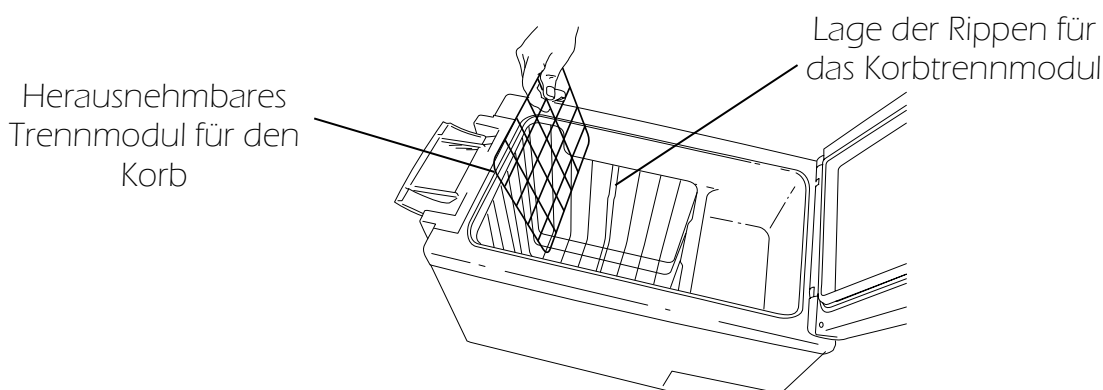
Gehen Sie wie folgt vor, um den Korb wieder im Kühlschrank zu installieren:

- Schieben Sie den Korb wieder nach unten in den Innenraum der Kühl- und Gefrierkombination. Der Korb ist korrekt positioniert, wenn die Basis in Kontakt mit dem Boden des Innenraums der Kühl- und Gefrierkombination ist.

6.13 Trennmodul für den Korb

Die ARB Kühl- und Gefrierkombination verfügt über ein herausnehmbares Trennmodul für den Korb. Sie können das Trennmodul einfach entfernen, indem Sie es senkrecht herausheben, wie in Abbildung 13 dargestellt. Wenn Sie es wieder anbringen, ist es wichtig, dass sich das Trennmodul für den Korb zwischen den Rippen an den Seiten des Drahtkorbs befindet. Bei Modellen mit einem festen Teiler, muss die Trennlinie nicht aus dem Korb gelöst werden.

Abbildung 13



6.14 Ablassschraube

Die ARB Kühl- und Gefrierkombination verfügt über eine herausnehmbare Ablassschraube im Boden des Innenraums, die in Abbildung 14 dargestellt wird. Die Ablassschraube kann herausgenommen werden, um Flüssigkeit aus dem Innenraum der Kühl- und Gefrierkombination abzulassen.

Abbildung 14



Gehen Sie wie folgt vor, um die Ablassschraube zu entfernen:

- Öffnen Sie den Deckel der Kühl- und Gefrierkombination
- Greifen Sie die Ablassschraube mit den Fingern
- Heben Sie vorsichtig die Ablassschraube vom Boden des Innenraums

Gehen Sie wie folgt vor, um die Ablassschraube wieder anzubringen:

- Öffnen Sie den Deckel der Kühl- und Gefrierkombination
- Suchen Sie die Spitze der Ablassschraube im Abfluss
- Wenden Sie vorsichtig Druck auf die Ablassschraube aus, so dass diese wieder in den Abfluss geschoben wird. Die Ablassschraube ist korrekt positioniert, wenn der Deckel der Ablassschraube vollständig Kontakt mit dem Boden des Innenraums hat.

HINWEIS - Es ist wichtig, dass Sie die Ablassschraube wieder anbringen, bevor Sie die Kühl- und Gefrierkombination für einen längeren Zeitraum laufen lassen. Andernfalls kann es zu Beeinträchtigungen der Leistung kommen.

6.15 Kühl- und Gefrierkombination abtauen

Von Zeit zu Zeit bildet sich Eis im Innern der ARB Kühl- und Gefrierkombination. Dies kann die interne Kapazität und die thermale Effizienz beeinträchtigen. ARB empfiehlt, dass Sie die Kühl- und Gefrierkombination regelmäßig abtauen.

Gehen Sie wie folgt vor, um die ARB Kühl- und Gefrierkombination abzutauen:

- Entfernen Sie den Inhalt aus der Kühl- und Gefrierkombination.
- Schalten Sie die Kühl- und Gefrierkombination aus.
- Öffnen Sie den Deckel, so dass die Umgebungstemperatur das Eis zum Schmelzen bringt.
- Öffnen Sie die Ablassschraube und lassen Sie alles Wasser aus dem Kühlschrank ab.
- Wischen Sie den Kühlschrank mit einem weichen Tuch, um noch verbleibendes Wasser zu entfernen.

WARNUNG: Verwenden Sie nie harte oder spitze Werkzeuge, um die Kühl- und Gefrierkombination abzutauen oder Gegenstände zu lösen, die festgefroren sind.

6.16 Gehäusesicherung wechseln

Die Kühl- und Gefrierkombination ist mit einer Sicherung ausgerüstet, die sich an der Rückseite des Kühlschranks befindet.

ACHTUNG – Bevor Sie die Gehäusesicherung austauschen, müssen Sie die Kühl- und Gefrierkombination von allen Stromquellen trennen.

Gehen Sie wie folgt vor, um die Gehäusesicherung zu wechseln:

- Ziehen Sie die AC- und DC-Stromkabel von den Anschlussbuchsen ab.
- Entfernen Sie den Sicherungseinsatz aus der Geräterückseite der Kühl- und Gefrierkombination, wie in 15a dargestellt. Sie benötigen u. U. einen kleinen Fachkopfschraubendreher, um den Einsatz aus dem Gehäuse zu lösen.
- Tauschen Sie die defekte Sicherung gegen eine neue Sicherung mit demselben Wert aus: Die korrekten Daten der Sicherung lauten 4A –(F4L250V). Siehe Abbildung 15b.
- Drücken Sie den Einsatz mit der neuen Sicherung wieder in das Gehäuse.

Abbildung 15a

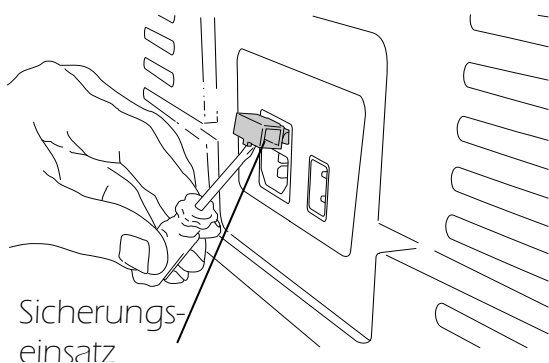


Abbildung 15b



6.17 Steckersicherung (12/24 V) austauschen

Die Kühl- und Gefrierkombination ist mit einer Sicherung ausgerüstet, die sich im 12/24-V-DC-Stecker befindet.

ACHTUNG – Bevor Sie die Steckersicherung austauschen, müssen Sie die Kühl- und Gefrierkombination von allen Stromquellen trennen.

Gehen Sie wie folgt vor, um die Steckersicherung zu wechseln:

- Trennen und entfernen Sie das obere Gehäuse vom Steckerkörper wie in Abbildung 16a dargestellt.
- Entfernen Sie den Kontaktstift vom Ende des Steckers, wie in Abbildung 16d dargestellt.
- Tauschen Sie die defekte Sicherung gegen eine neue Sicherung mit demselben Wert aus wie in Abbildung 16b dargestellt: Die korrekten Daten der Sicherung lauten 3AG 10 Amp.
- Bauen Sie den Stecker wieder in umgekehrter Reihenfolge zusammen.

Abbildung 16a

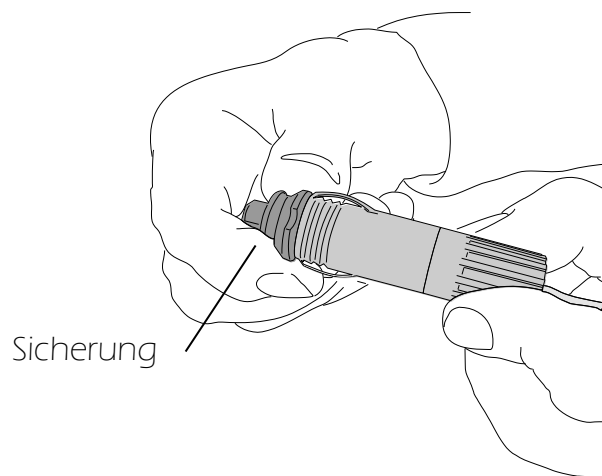
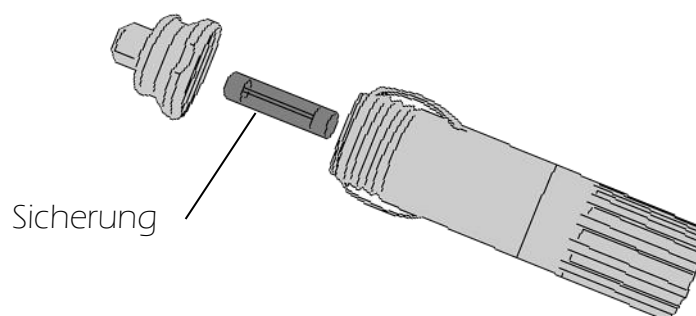


Abbildung 16b



6.18 Lampe wechseln

Die Kühl- und Gefrierkombination ist mit einer langlebigen und stromsparenden LED-Lampe ausgestattet. Unter typischen Betriebsbedingungen sollte es nicht erforderlich sein, die Lampe auszutauschen. Im unwahrscheinlichen Fall, dass es doch erforderlich ist, die Lampe auszuwechseln, befolgen Sie das nachfolgend beschriebene Verfahren.

ACHTUNG – Bevor Sie die Lampe austauschen, müssen Sie die Kühl- und Gefrierkombination von allen Stromquellen trennen.

Gehen Sie wie folgt vor, um die Lampe zu wechseln:

- Wenn der Korb mit der hohen Seite gegen die Vorderseite des Innenraums montiert ist, müssen Sie ihn entfernen, um auf das Gehäuse der Lampen zugreifen zu können. Einzelheiten finden Sie in Abschnitt 6.12.
- Entfernen Sie das transparente Gehäuse der Lampen aus dem internen Gehäuse der Kühl- und Gefrierkombination, wie in Abbildung 17a dargestellt. Dazu fassen Sie mit dem Finger unter den Rand des Lampengehäuses und ziehen Sie es aus dem inneren Gehäuse der Kühl- und Gefrierkombination.
- Ersetzen Sie die fehlerhafte Leuchte durch eine neue mit denselben Leistungseigenschaften, wie in Abbildung 17b dargestellt. Ersatzleuchten erhalten Sie bei einer Kundendienstvertretung für ARB Kühl- und Gefrierkombination.
- Vergewissern Sie sich, dass die LEDs im Innern der Leuchte zur transparenten Seite des Lampengehäuses zeigen.
- Testen Sie, ob die Leuchte korrekt funktioniert.
- Bringen Sie das Lampengehäuse wieder im Gehäuse der Kühl- und Gefrierkombination an.

Abbildung 17a

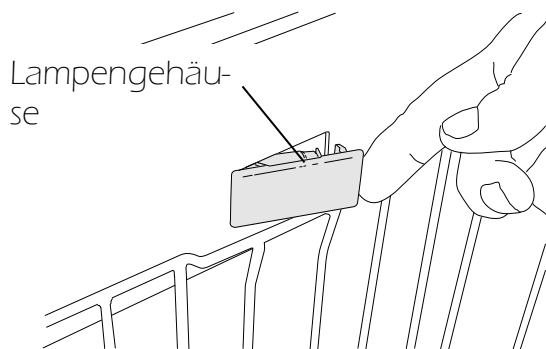
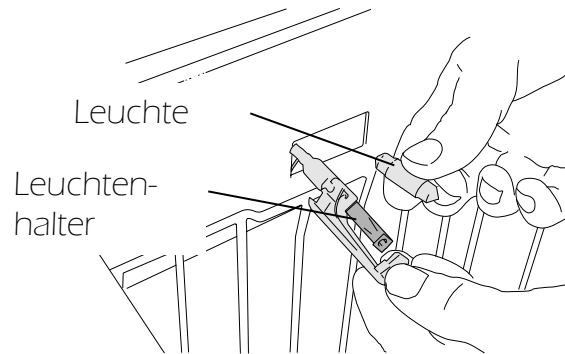


Abbildung 17b



6.19 Kühl- und Gefrierkombination lagern

Wenn Sie die Kühl- und Gefrierkombination über einen längeren Zeitraum lagern möchten, beachten Sie die folgenden Empfehlungen von ARB.

- Schalten Sie die Kühl- und Gefrierkombination aus und trennen Sie sie von allen Stromquellen.
- Entfernen Sie das gesamte Gefriergut außer dem Korb und dem Trennmodul für den Korb aus dem Innenraum.
- Lassen Sie den Deckel leicht geöffnet, um den Luftfluss durch den Innenraum zu ermöglichen.


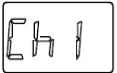


TIPP – Um sicher zu stellen dass der Deckel geöffnet bleibt, heben Sie den Deckel an, legen Sie die Deckelverriegelung auf der Oberkante des Gehäuses ab, um dann darauf den Deckel abzulegen.

Für eine zusätzliche Belüftung entfernen Sie bitte den Ablasstopfen.

6.20 Ändern des Übertragungskanals

Die ARB Kühlbox kann mit dem drahtlosen ARB Kühlboxdisplay (getrennt lieferbar) verwendet werden, das 4 Übertragungskanäle bietet.

So ändern Sie den Übertragungskanal:


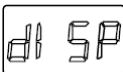


- Schalten Sie die Kühlbox ein.
- Drücken Sie vier Mal , um den aktuellen Übertragungskanal anzuzeigen (z. B. ).
- Drücken Sie  oder , um zwischen Ch1, Ch2, Ch3 und Ch4 zu wechseln.
- Nach 5 bis 6 Sekunden Inaktivität blinkt das Display und zeigt dann wieder die aktuelle Temperatur im Kühlfach an.

In der Anleitung, die mit dem drahtlosen ARB Kühlboxdisplay geliefert wird, finden Sie Hinweise zur Installation und zum Gebrauch.

6.21 Ändern der Helligkeit des Bedienfeldes

Die Helligkeit der Bedienfeldanzeige an der ARB Kühlbox ist einstellbar.


So ändern Sie die Helligkeit der Bedienfeldanzeige:

- Schalten Sie die Kühlbox ein.
- Drücken Sie  fünf Mal, um  anzuzeigen.
- Drücken Sie  oder , um zwischen den 2 Helligkeitsstufen zu wechseln.
- Nach 5 bis 6 Sekunden Inaktivität blinkt das Display und zeigt dann wieder die aktuelle Temperatur im Kühlfach an.

6.22 Anzeigen der Versorgungsspannung

Sie können sich die Spannung anzeigen lassen, mit der Ihre ARB Kühlbox versorgt wird.

So lassen Sie sich die Versorgungsspannung anzeigen:

- Schalten Sie die Kühlbox ein.
- Drücken Sie , um die Versorgungsspannung anzuzeigen.

Ist das Gerät an Gleichstrom angeschlossen, wird die Versorgungsspannung angezeigt.

Ist das Gerät an Wechselstrom angeschlossen, wird „AC“ angezeigt.

7 REINIGUNG UND PFLEGE

Verwenden Sie ein feuchtes Tuch und warmes Wasser mit einem milden nicht scheuernden Haushaltsreiniger, um die Innen- und Außenseite der Kühl- und Gefrierkombination zu reinigen.

Wenn die Kühl- und Gefrierkombination unter staubigen Bedingungen betrieben wird, empfiehlt ARB, dass Sie die äußeren Oberflächen regelmäßig reinigen, um Anhaftungen durch Schmutz und Sand zu vermeiden. Dabei empfiehlt ARB insbesondere den Bereich um den Scharniermechanismus und die Motoreinfassung regelmäßig zu reinigen. Wenn Sie die Motoreinfassung reinigen, empfiehlt ARB die Kühl- und Gefrierkombination in einem gut belüfteten Bereich aufzustellen und mit einem Staubsauger oder einem sanften Hochdruck-Luftstrahl zu reinigen.

WARNUNG – Unter keinen Umständen dürfen Sie die Motoreinfassung entfernen.

Beachten Sie die folgenden Punkte, bevor Sie die Kühl- und Gefrierkombination reinigen.

- Schalten Sie immer das Gerät aus und ziehen Sie die Stecker von der Kühl- und Gefrierkombination ab, bevor Sie das Gerät reinigen oder warten.
- Verwenden Sie unter keinen Umständen harte Objekte oder scheuernde Reinigungsmittel, um die Kühl- und Gefrierkombination zu reinigen.
- Verwenden Sie keine Bürsten, Scheuerpads oder harte bzw. spitze Werkzeuge, um die Kühl- und Gefrierkombination abzutauen.
- Reinigen Sie die Kühl- und Gefrierkombination niemals unter fließendem Wasser oder mit einem Hochdruckwäscher.

8 ENTSORGUNG

Geben Sie das Verpackungsmaterial möglichst in den entsprechenden Recycling-Müll.

Wenn Sie das Gerät endgültig außer Betrieb nehmen, informieren Sie sich bitte beim nächsten Recyclingcenter oder bei Ihrem Fachhändler für ARB Kühl- und Gefrierkombinationen über die zutreffenden Entsorgungsvorschriften.

9 BEHEBUNG VON MÖGLICHEN STÖRUNGEN

Die folgende Check-Liste hilft Ihnen bei der Identifikation der Problemquelle bei der Kühl- und Gefrierkombination. Wenn nach dem Durcharbeiten der Check-Liste weiterhin Unsicherheit über die Ursache des Fehlers besteht, wenden Sie sich an die nächste Kundendienstvertretung für ARB Kühl- und Gefrierkombinationen.

1. Die Kühl- und Gefrierkombination hat den Betrieb eingestellt. Die Power-LED leuchtet nicht.

1.1 Die Anschlüsse der Stromkabel könnten sich gelöst haben oder die Anschlüsse an der Kühl- und Gefrierkombination bzw. an der Stromquelle sind verschmutzt.

- Überprüfen Sie, ob sich die Kabelanschlüsse der Kühl- und Gefrierkombination gelöst haben oder getrennt wurden.
- Überprüfen Sie, ob die elektrischen Kontakte verschmutzt sind und der vollständige Spannungsfluss zur Kühl- und Gefrierkombination behindert wird.

1.2 Die Schmelzsicherung im 12/24-V-DC-Kabelstecker ist u. U. durchgebrannt.

- Überprüfen Sie die Schmelzsicherung im 12/24-V-DC-Kabelstecker und ersetzen Sie sie ggf. Siehe Abschnitt 6.17.

1.3 Die Gehäusesicherung ist u. U. durchgebrannt.

- Überprüfen Sie die Gehäusesicherung und ersetzen Sie sie ggf. Siehe Abschnitt 6.16.

2. Der Kompressor der Kühl- und Gefrierkombination hat den Betrieb eingestellt. Die Power-LED leuchtet ORANGE.

2.1 Die Kühl- und Gefrierkombination hat die gewünschte Zieltemperatur für den Innenraum erreicht.

- Die Kühl- und Gefrierkombination funktioniert richtig. Es sind keine Maßnahmen erforderlich.

3. Die Kühl- und Gefrierkombination hat den Betrieb eingestellt. Die Power-LED leuchtet OFF und die ROTE check(Überprüfen)-LED blinkt.

3.1 Das interne Batterieschutzsystem hat die Kühl- und Gefrierkombination ausgeschaltet, weil die Batteriespannung niedrig ist.

- Die Kühl- und Gefrierkombination wird automatisch wieder eingeschaltet, sobald die Wiedereinschaltspannung erreicht wird. In Abschnitt 6.11 finden Sie Angaben zu den Ausschalt- und Wiedereinschaltspannungen.

4. Die Kühl- und Gefrierkombination kühlt nicht oder hat den Betrieb eingestellt. Die Power-LED leuchtet grün.

4.1 Eventuell ist innerhalb der Kühl- und Gefrierkombination ein interner Fehler aufgetreten.

- Die Reparatur kann nur von einem zugelassenen Kundendienstvertreter für ARB Kühl- und Gefrierkombinationen durchgeführt werden.

5. Auf dem Bedienfeld wird eine Fehlermeldung (z. B. ERR1, ERR2,ERR3) angezeigt und die Kühl- und Gefrierkombination kühlt nicht.

5.1 Die Kühl- und Gefrierkombination wurde eventuell durch eine interne Betriebsstörung ausgeschaltet.

- Die Reparatur kann nur von einem zugelassenen Kundendienstvertreter für ARB Kühl- und Gefrierkombinationen durchgeführt werden.

6. Wenn das Gerät an einen Fahrzeugkabelkreis angeschlossen ist und das Fahrzeug läuft, kann es gelegentlich vorkommen, dass die Kühl- und Gefrierkombination stottert oder den Betrieb einstellt.

6.1 Die wahrscheinliche Ursache ist ein Spannungsverlust innerhalb der Fahrzeugverkabelung.

- Sie können dies bestätigen, indem Sie die Spannung am Lastende des Stromkabels zur Kühl- und Gefrierkombination messen. Wenn die Messung weniger als 11.8 Volt (12 VDC)/24.1 Volts (24 VDC) beträgt, sollten Sie das Kabelsystem überprüfen.
- Rüsten Sie ggf. den Kabelkreislauf für die Kühl- und Gefrierkombination auf. Beachten Sie dabei die Informationen aus Abschnitt 6.4 als Richtlinie.

7. Die Kühl- und Gefrierkombination stoppt und startet oder läuft unregelmäßig

7.1 Das interne Batterieschutzsystem hat u. U. die Kühl- und Gefrierkombination ausgeschaltet, weil die Batteriespannung niedrig ist.

- Überprüfen Sie, ob die Spannungsversorgung am Stecker der Kühl- und Gefrierkombination unterhalb der Ausschaltspannung abgefallen ist, die in Abschnitt 6.11 aufgeführt wird. Die Spannung muss am Stecker der Kühl- und Gefrierkombination gemessen werden, da es normalerweise zu einem Verlust von einen bis zwei Volt zwischen der Stromquelle (Batterie) und dem Stecker der Kühl- und Gefrierkombination kommt.
- Die Fahrzeugbatterie muss eventuell ersetzt oder die Verkabelung zur Kühl- und Gefrierkombination vielleicht aufgerüstet werden. Einzelheiten zu den Kabelanforderungen finden Sie in Abschnitt 6.4.

8. Die Kühl- und Gefrierkombination läuft zu lang und kühlt nicht ordnungsgemäß.

8.1 Eine gute Kühlleistung der Kühl- und Gefrierkombination hängt besonders bei heißen Umgebungstemperaturen davon ab, ob die Luft um die Kühlöffnungen der Kühl- und Gefrierkombination gut zirkulieren kann.

- Überprüfen Sie, ob alle Ventilationsöffnungen frei sind und der Platz um die Kühl- und Gefrierkombination ausreicht, um eine gute Luftzirkulation zu gewährleisten. Einzelheiten finden Sie in Abschnitt 5.1.

9. Wenn der Deckel der Kühl- und Gefrierkombination geöffnet ist, wird die LED-Innenraumbelichtung nicht eingeschaltet.

9.1 Die Kühl- und Gefrierkombination ist u. U. nicht an eine geeignete Stromquelle angeschlossen.

- Überprüfen Sie die Verbindung zwischen der Stromquelle und der Kühl- und Gefrierkombination.

9.2 Die LED-Leuchte ist u. U. durchgebrannt

- Überprüfen Sie die Leuchte und ersetzen Sie sie ggf. Einzelheiten finden Sie in Abschnitt 6.18.

10 GARANTIE

ARB gewährleistet für den Garantiezeitraum, dass die ARB-Produkte frei von Material- und Verarbeitungsfehlern sind. Sollten innerhalb des Garantiezeitraums Material- oder Verarbeitungsfehler erkannt werden, so repariert oder erstattet ARB das defekte Produkt.

Die Vorteile, die der Kunde durch diese Garantie erhält, gelten unabhängig von den sonstigen Rechten und Rechtshilfen des Kunden nach jeglichem Recht bezüglich der Waren oder Dienstleistungen, auf welche die Garantie sich bezieht.

1) Glossar für diese Garantie:

- **ARB** bedeutet ARB Corporation Limited (ABN 31 006 708 756) mit Sitz in 42-44 Garden St, Kilsyth Victoria 3137, Australien
- **ARB Outlet** bedeutet eine Verkaufsstelle, die von ARB für den Verkauf und die Installation von ARB Produkten autorisiert wurde.
- **ARB Produkt** steht für Produkte, die ARB herstellt oder als exklusiver Lieferant vertreibt.
- **Produkthinweise** steht für die Informationen über das entsprechende ARB Produkt, die in Folgendem enthalten sein können: Dokumente aus dem Lieferumfang des ARB Produkts, Benutzerhandbuch, Bedienungsanleitung, Wartungshandbuch des Herstellers oder Beschriftungen am ARB Produkt selbst.
- **Garantiezeitraum** steht in Bezug auf ein ARB Produkt für den Zeitraum, in dem diese Garantie auf Mängel anwendbar ist und der in den Tabellen in Absatz 8 dargelegt ist.

2) Zur Wahrung des Anspruchs auf die Garantie muss der Kunde:

- a) das ARB Produkt im Einklang mit den Produkthinweisen installiert haben
- b) die normale Pflege und Wartung des ARB Produkts, einschließlich aller laut Produkthinweisen erforderlichen Maßnahmen, durchführen
- c) einen Kaufbeleg über das ARB Produkt vorweisen
- d) den Anspruch innerhalb des Garantiezeitraums stellen

2) Die Garantie gilt nicht für Fälle, in denen der Mangel verursacht wurde durch:

- a) unübliche, falsche oder nachlässige Verwendung oder Zweckentfremdung des ARB Produkts
- b) falsche Installation des ARB Produkts, sofern nicht durch eine ARB Verkaufsstelle
- c) Beladung des ARB Produkts über das in den Produkthinweisen angegebene Gewicht hinaus
- d) Verwendung von Nicht-Original ARB Teilen in oder mit dem ARB Produkt
- e) Verwendung in oder an Fahrzeugen mit Umbauten, die nicht laut Produkthinweisen zugelassen sind und die nicht von einer ARB Verkaufsstelle stammen
- f) Verwendung für Renn- und sonstige Wettbewerbsveranstaltungen
- g) Verwendung des ARB Produkts entgegen den Vorgaben in den Produkthinweisen

3) Die Einlösung des Garantieanspruchs durch den Kunden verläuft wie folgt:

- a) Der Kunde übergibt bzw. schickt das ARB Produkt an die nächstgelegene ARB Verkaufsstelle oder setzt sich mit ARB in Verbindung, um einen Termin zu vereinbaren, an dem er das mit dem ARB Produkt ausgestattete Fahrzeug zwecks Inspektion zu einer ARB Verkaufsstelle bringt. Nähere Angaben zu den lokalen Verkaufsstellen bzw. Kontaktdaten sind in Absatz 7 weiter unten aufgeführt.
- b) Der Kunde legt der ARB Verkaufsstelle einen Kaufbeleg über das ARB Produkt vor.
- c) ARB überprüft das ARB Produkt und stellt fest, ob die Garantiebedingungen erfüllt sind.

4) Wenn ARB den Garantieanspruch eines Kunden akzeptiert, behebt ARB jeden Material- oder Verarbeitungsfehler auf eigene Kosten.

5) Alle Kosten, die dem Kunden in Verbindung mit der Garantieforderung selbst entstehen, trägt der Kunde.

6) Diese Garantie wird gewährt von: ARB Corporation Limited

42-44 Garden Street Kilsyth VIC 3137, Australien

Tel.: 03 9761 6622

Fax: 03 9721 9090

www.arb.com.au

7) Der Zeitraum, innerhalb dessen ein Mangel am ARB Produkt festgestellt werden muss, damit der Kunde Anspruch auf eine Garantieleistung hat, beträgt 3 Jahre ab Kaufdatum. Hiervon ausgenommen sind folgende Fälle:

- a) Verwendung des ARB Produkts für gewerbliche Zwecke. Hierbei steht "gewerblich" für den Gebrauch in der Industrie oder im Handel, einschließlich des Einsatzes im Bergbau oder in Mietfahrzeugen. In diesem Fall beträgt der Garantiezeitraum 1 Jahr oder 20.000 km (was zuerst eintritt) oder ein Drittel des Zeitraums bzw. der Fahrleistung laut Tabelle, beginnend mit dem Kaufdatum.

8) Die in diesem Dokument gegebene Garantie auf Mängel ersetzt jede andere Garantie auf Mängel oder freiwillig erteilte Garantie bezüglich der Produkte.

Unsere Waren werden mit einer Garantie vertrieben, die nach australischem Kundenrecht nicht ausgeschlossen werden kann. Sie haben Anspruch auf Ersatz oder Kostenerstattung bei einem größeren Defekt des Geräts sowie auf einen entsprechenden Ausgleich bei jedem sonstigen vernünftigerweise vorhersehbaren Verlust oder Schaden. Außerdem haben Sie Anspruch auf Reparatur oder Ersatz der Ware, wenn diese nicht eine angemessene Qualität aufweist, selbst wenn dadurch kein größerer Defekt auftritt.

11 TECHNISCHE DATEN

Inhalt – Liter (quarz)	35 (37)	47 (50)	60 (63)	78 (82)
Typ	10801020	10801010	10801030	10801040
Kategorie	I	I	I	I
Der jährliche Energieverbrauch (kWh/Jahr)	93	95	99	111
Klimaklasse	N,T	N,T	N,T	N,T
Energieeffizienz-Klasse	A+	A+	A+	A+
Anschlussspannung (außer Nordamerika)	12/24 V DC und 100-240 V AC			
Anschlussspannung (Nordamerika)	12/24 V DC und 120V AC ~ 60Hz			
Nennstrom				
- 12V DC	5.0 A	5.1 A	5.3 A	7.3 A
- 24V DC	2.5 A	2.8 A	3.0 A	3.5 A
- 100-240 VAC	0.8 - 0.4 A	1.0 – 0.6 A	1.0 – 0.5 A	1.2 – 0.6 A
- 120 VAC	0.75 A	0.9 A	1.0 A	1.1 A
Kälteleistungen	+ 10 °C bis –18 °C (+50 °F bis 0 °F)			
	+16°C bis +43°C (+70 °F bis +109°F)			
Gewicht –Kg (lb)	20 (45)	22 (50)	24 (54)	27 (60)
Geräusch [dbA]	50	50	50	50
Kuehlmittel - R134a – g (oz)	42 (1.48)	47 (1.66)	56 (1.98)	63 (2.22)
Außenmaße – mm (in) – <i>Abbildung 18a</i>				
- H1	428 (16.9)	508 (20.0)	428 (16.9)	508 (20.0)
- B1	380 (15.0)	380 (15.0)	450 (17.7)	450 (17.7)
- T1	705 (27.8)	705 (27.8)	845 (33.3)	845 (33.3)
Die Abmessungen des Innenraums – mm (in) – <i>Abbildung 18b</i>				
- H2	321 (12.6)	401 (15.8)	321 (12.6)	401 (15.8)
- H3	126 (5.0)	206 (8.1)	126 (5.0)	206 (8.1)
- B2	285 (11.2)	285 (11.2)	355 (14.0)	355 (14.0)
- T2	337 (13.3)	337 (13.3)	477 (18.8)	477 (18.8)
- T3	151 (6.0)	151 (6.0)	151 (6.0)	151 (6.0)

Hinweis: Die maximale Kühlleistung beträgt 50°C (122°F) unter der Umgebungstemperatur. Bei Umgebungstemperaturen über 32° kann die minimale Temperatur nicht erreicht werden.

Abbildung 18a

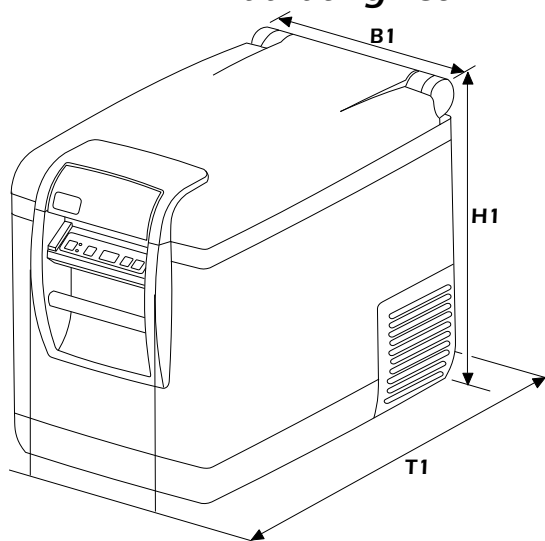
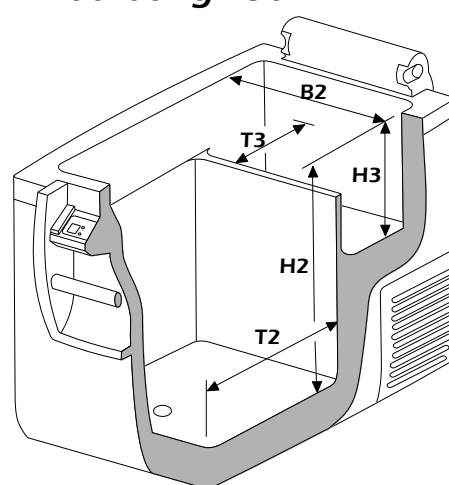


Abbildung 18b



Dieses Gerät ist FCKW-frei. Der Kühlkreis enthält R134a. Das Entleeren oder Befüllen mit Kühlmittel darf nur in einem Fachbetrieb erfolgen

Lea cuidadosamente esta guía de uso y mantenimiento antes de poner en marcha por primera vez su nevera-congelador ARB. Debe guardar esta guía en lugar seguro, junto con la guía de garantía legal y mantenimiento ARB y una copia del comprobante de la compra.

ÍNDICE

1	INTRODUCCIÓN	58
2	DETALLES DE SUMINISTRO	58
3	INDICACIONES DE SEGURIDAD	59
3.1	Seguridad general.....	59
3.2	Utilización segura de la nevera-congelador.....	59
4	INTRODUCCIÓN A LA NEVERA-CONGELADOR ARB	60
5	MONTAJE.....	61
5.1	Montaje general.....	61
5.2	Montaje en un vehículo	62
5.2.1	Montaje permanente	62
5.2.2	Montaje temporal.....	62
6	FUNCIONAMIENTO	64
6.1	Antes del uso	64
6.2	Transportar la nevera-congelador	64
6.3	Abrir la nevera-congelador	64
6.4	Conectar la nevera-congelador.....	66
6.4.1	Conexión a 12/24 V CC.....	66
6.4.2	Requisitos para el cableado de 12/24 V CC.....	66
6.4.3	Conector hembra para 12/24 V CC	67
6.4.4	Conexión a 100 - 240 V CA	68
6.4.5	Conexión a un generador accionado por motor	68
6.5	Clips para el cable.....	69
6.6	Consejo para ahorrar energía	69
6.7	Retirar la tapa	70
6.8	Encender y apagar la nevera-congelador.....	71
6.9	Ajustar la temperatura objetivo de la cámara.....	71
6.10	Cambiar entre °C y °F	71
6.11	Utilizar el controlador de la batería	72
6.12	Utilizar la cesta	73
6.13	Separador de la cesta.....	74
6.14	Tapón de drenaje	74
6.15	Descongelar la nevera-congelador	75
6.16	Cambiar el fusible de la cámara.....	75
6.17	Cambiar el fusible de la clavija (12/24 V).....	76
6.18	Cambiar el elemento luminoso.....	77
6.19	Almacenar la nevera-congelador	77
6.20	Cambiar el canal de transmisión	78
6.21	Cambiar el nivel de brillo del panel de control.....	78
6.22	Mostrar la tensión de alimentación.....	78
7	LIMPIEZA Y MANTENIMIENTO	79
8	GESTIÓN DE RESIDUOS.....	79
9	SOLUCIÓN DE AVERÍAS	80
10	GARANTÍA	82
11	DATOS TÉCNICOS	83

1 INTRODUCCIÓN

Le felicitamos por su compra de la nevera-congelador ARB. Su nevera ARB ha sido específicamente diseñada para su uso en duras condiciones de off-road y su objetivo principal es mantener frías bebidas y alimentos. También puede utilizarse como congelador. Si observa las instrucciones y directrices de este documento se asegurará de conseguir el máximo rendimiento y durabilidad de su nueva nevera-congelador.

Su nevera-congelador ARB está diseñada para funcionar con una corriente de 12 V CC o 24 V CC de un vehículo, embarcación o caravana. También puede funcionar con una red de corriente alterna de 100 - 240 V CA, utilizando el inversor de corriente integrado.

PRECAUCIÓN: si desea refrigerar medicinas, asegúrese de que la potencia de refrigeración de la nevera-congelador es adecuada para ello.

2 DETALLES DE SUMINISTRO

La nevera-congelador ARB se suministra con los siguientes artículos. Si falta alguno de ellos en su nevera-congelador, póngase en contacto con su distribuidor local de neveras-congelador ARB.

ARTÍCULO	CANTIDAD
<i>Nevera-congelador ARB</i>	<i>1</i>
<i>Cesta reversible</i>	<i>1</i>
<i>Separador para la cesta interior</i>	<i>1</i>
<i>Cable de suministro para 12/24 V</i>	<i>1</i>
<i>Cable de suministro para 100 - 240 V</i>	<i>1</i>
<i>Guía de uso y mantenimiento de la nevera-congelador ARB</i>	<i>1</i>
<i>Folleto de garantía legal y mantenimiento de la nevera-congelador ARB</i>	<i>1</i>

3 INDICACIONES DE SEGURIDAD

3.1 Seguridad general

ARB le recomienda que tome nota de los siguientes puntos relacionados con la seguridad general, para garantizar así la seguridad de todas las personas que utilizarán su nevera-congelador.

- Aplique siempre la tensión adecuada a la nevera-congelador, y con la polaridad correcta.
- No conecte su nevera-congelador a un cargador de batería, un convertidor CA/CC o un rectificador.
- Antes de usar un cargador de batería de alta velocidad, desconecte la nevera-congelador de la batería.
- No utilice materiales afilados ni productos abrasivos o corrosivos para limpiar o descongelar la nevera-congelador.
- Vigile a los niños y asegúrese de que no jueguen con la nevera-congelador.
- No está previsto que utilicen este electrodoméstico personas (incluyendo niños) con discapacidades físicas, sensoriales o mentales, o con falta de experiencia o conocimientos, a no ser que una persona responsable de su seguridad los supervise o les indique cómo utilizarlo.
- Si su cable de suministro está dañado, reemplácelo antes de usar la nevera-congelador.
- Desconecte la nevera-congelador de todas las fuentes de suministro antes de limpiarla o realizar el mantenimiento de la misma.
- No almacene líquidos o gases combustibles en la nevera-congelador ni cerca de ella.
- No abra ni manipule el circuito de refrigeración.
- No retire ni modifique ninguno de los componentes eléctricos.
- No almacene ni transporte materiales cáusticos ni con base disolvente en la nevera-congelador.
- No utilice su nevera-congelador ARB si presenta signos visibles de que está dañada.
- El mantenimiento de su nevera-congelador debe realizarlo únicamente un agente de mantenimiento de neveras-congelador autorizado de ARB.
- No almacenar en su interior sustancias explosivas, tales como aerosoles que contengan sustancias inflamables.
- Este aparato puede utilizarse en casa y en otras aplicaciones tales como:
 - Areas de cocina para tiendas, oficinas o cualquier otro entorno de trabajo.
 - Granjas o para uso de clientes en hoteles, moteles de carretera y otros espacios residenciales.
 - Establecimientos de "Bed & Breakfast"
 - Aplicaciones de servicios de catering.

3.2 Utilización segura de la nevera-congelador

Para utilizar de forma segura su nevera-congelador, ARB le recomienda que tome nota de las siguientes cuestiones de seguridad.

- Para evitar sobrecalentamientos, asegúrese de que siempre haya suficiente ventilación alrededor de la nevera-congelador. Encontrará información más detallada en la sección 5.1.
- No toque el armazón metálico interno de la nevera-congelador con las manos mojadas.
- No coloque su nevera-congelador cerca de fuego abierto o fuentes de calor (calefactores, fogatas, hornos de gas, radiación solar directa, etc.).
- No llene su nevera-congelador de hielo o de líquido.
- No coloque aparatos eléctricos dentro de la nevera-congelador.
- Proteja su nevera-congelador de la lluvia y la humedad.
- No utilice la nevera-congelador si sospecha que su sistema eléctrico puede haber entrado en contacto con agua.
- No utilice la nevera-congelador si se ha sumergido en agua.

4 INTRODUCCIÓN A LA NEVERA-CONGELADOR ARB

En las figuras 1- 4 inferiores se identifican los componentes clave de su nevera-congelador ARB.

Figura 1: frente de la nevera

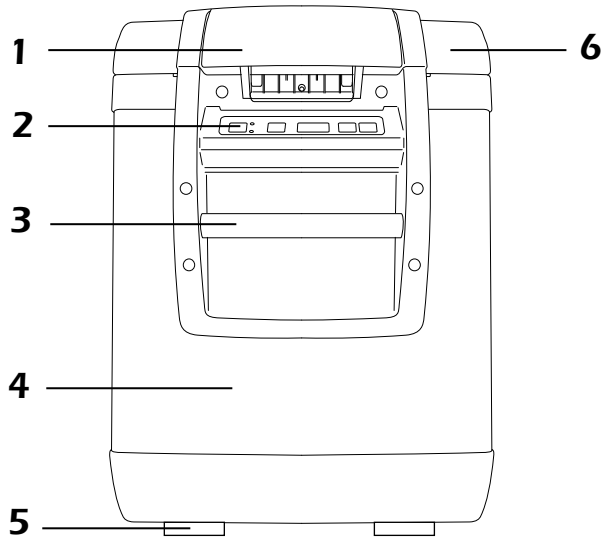


Figura 2: parte posterior de la nevera

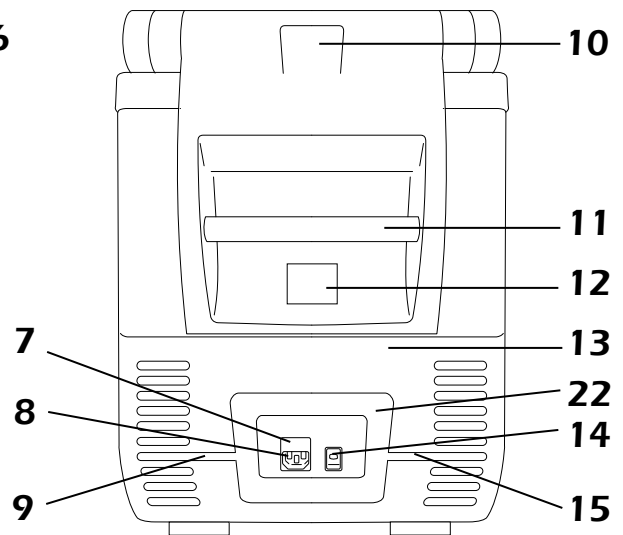
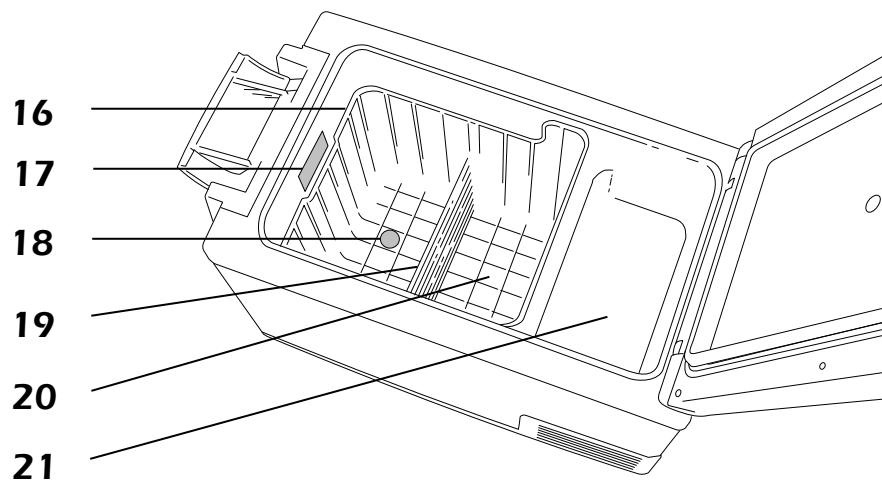


Figura 3: cámara interna

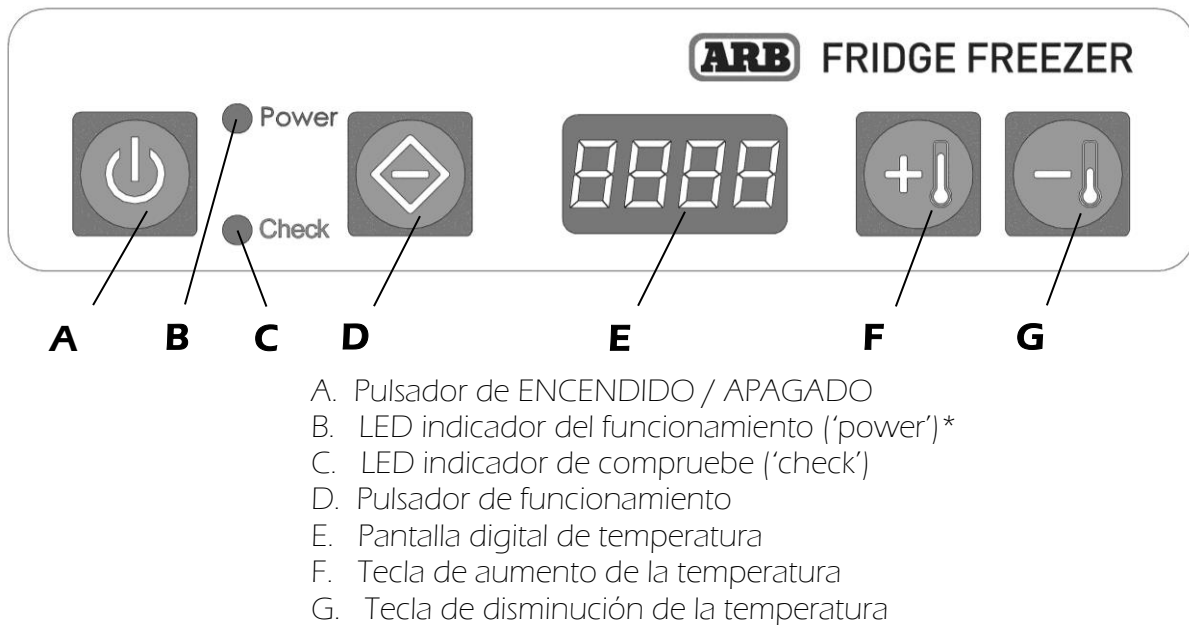


- 1. Pestaña de cierre de la tapa
- 2. Panel de control
- 3. Asa de transporte frontal
- 4. Cámara de acero bañado en polvo de cinc
- 5. Pies de goma x 4
- 6. Tapa
- 7. Fusible de la cámara
- 8. Conector hembra para 100 – 240 V CA
- 9. Clip para el cable de 100 - 240 V CA
- 10. Tope de la tapa
- 11. Asa de transporte trasera

- 12. Placa de conformidad y número de serie
- 13. Carcasa del motor
- 14. Conector hembra para 12/24 V CC
- 15. Clip para el cable de 12/24 V CC
- 16. Cesta reversible
- 17. Luz LED de la cámara
- 18. Tapón de drenaje
- 19. Separador para la cesta interior
- 20. Cámara de refrigeración principal
- 21. Cámara de refrigeración diaria/para la fruta
- 22. Toma de transmisor inalámbrico

La cámara de refrigeración diaria/para la fruta de su nevera-congelador ARB está diseñada para mantener una temperatura de superior a la de la cámara de refrigeración principal. Ello la convierte en el lugar ideal para almacenar artículos como los alimentos que vaya a consumir ese día, la fruta, las verduras y el chocolate.

Figura 4: panel de control



* El LED de funcionamiento luce en verde cuando está funcionando el compresor. El LED de funcionamiento luce en naranja cuando no está funcionando el compresor (p. ej. cuando la nevera-congelador ha alcanzado la temperatura ajustada).

5 MONTAJE

5.1 Montaje general

A la hora de elegir un lugar para montar su nevera-congelador ARB, debe tener en cuenta los puntos siguientes.

- Debe mantener un espacio libre mínimo de 50 mm en todos los lados de la nevera-congelador.
- La nevera-congelador debe fijarse a puntos de anclaje seguros, tanto si se monta permanentemente como provisionalmente.
- La posición de montaje ideal para la nevera-congelador es sobre una superficie horizontal y plana. Si la nevera-congelador está sujeta a movimientos laterales (por ejemplo el efecto de escora en una embarcación), puede soportar un ángulo lateral de 30°.
- No coloque la nevera-congelador cerca de objetos afilados o calientes.
- No coloque la nevera-congelador cerca de objetos sueltos que puedan caerse dentro de la cámara y obstaculizar su funcionamiento.
- No use nunca la nevera-congelador cerca de líquidos o vapores combustibles.
- Evitar almacenar volteada la nevera.

5.2 Montaje en un vehículo

5.2.1 Montaje permanente

Su nevera-congelador ARB dispone de cuatro insertos roscados en la base que pueden utilizarse para montar la cámara permanentemente en una base sólida o placa deslizante para nevera. Hay un inserto roscado en el centro de cada uno de los pies de goma. ARB recomienda este método de montaje cuando vaya a montar la nevera-congelador de forma permanente. Si va a desmontar la nevera-congelador periódicamente, consulte la sección 5.2.2 (montaje temporal).

Para montar la nevera-congelador de forma permanente:

- Coloque la nevera-congelador sobre la posición deseada de la superficie de montaje y marque la línea exterior de la cámara.
- Retire la nevera-congelador y marque el centro de la cámara. El centro está indicado como punto C en la figura 5a.
- Marque y perforo cuatro orificios de 6.5 mm en la superficie de montaje, guiándose por el diagrama de la figura 5a.
- Para poder utilizar el tapón de drenaje, marque y perforo un orificio de 13 mm en la superficie de montaje en el punto C, tal como se muestra en la figura 5a.
- Retire el tornillo M6 del centro de cada uno de los cuatro pies de goma mediante una llave allen, tal como se muestra en la figura 5b. Asegúrese de que los pies de goma permanecen en la base de la cámara.
- Coloque la nevera-congelador en la superficie de montaje de forma que las perforaciones realizadas estén alineadas con los insertos roscados de la cámara.
- Fije la cámara a la superficie de montaje utilizando los tornillos M6, tal como se muestra en la figura 5c. No sobrepase el par de apriete de 3,5 Nm (2,5 lbft) al apretar los tornillos M6. ARB recomienda no aplicar pasta permanente para juntas roscadas en los tornillos.

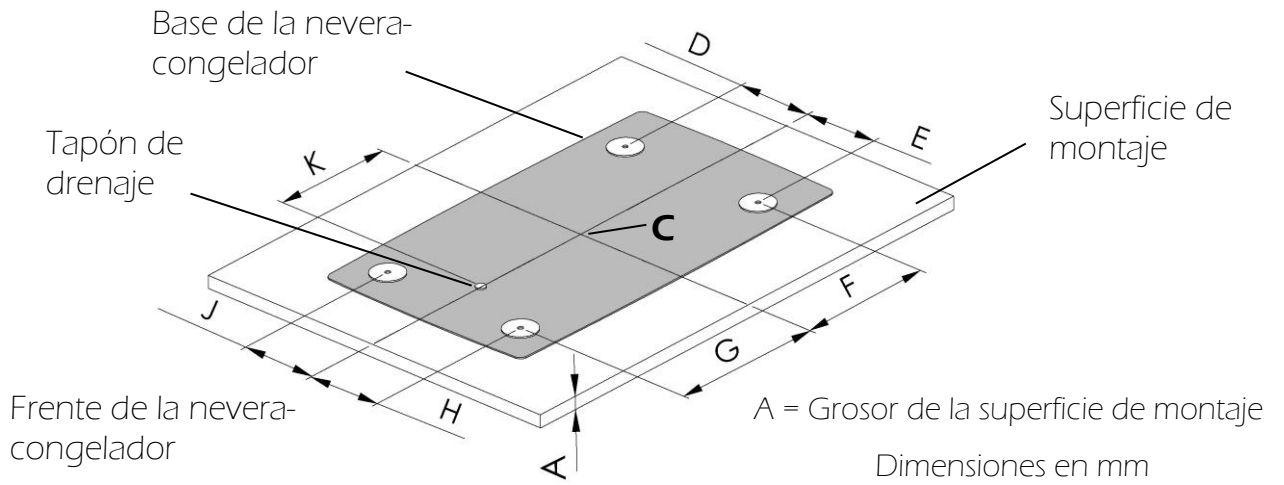
NOTA:

- ***los pies de goma deben encajarse entre la base de la cámara y la superficie de montaje.***
- ***si se necesitan tornillos más largos, deben utilizarse tornillos cilíndricos con cabeza hueca M6 x 1.0 de alta resistencia con un grado mínimo de 8,8. Para evitar dañar los componentes eléctricos dentro de la nevera, la longitud de los tornillos no debe sobrepasar el grosor de la superficie de montaje (medida 'A' de la figura 5a) más 8 mm para el hueco del pie de goma.***
- ***al retirar los tornillos M6, no vuelque la nevera-congelador sobre su costado.***

5.2.2 Montaje temporal

Las asas de acero en cada extremo de la nevera-congelador ARB han sido diseñadas para usarse como puntos de sujeción. ARB recomienda usar el sistema de sujeción de ARB para montar la nevera-congelador de forma segura en puntos de anclaje sólidos.

Figura 5a



Capacidad total	D	E	F	G	H	J	K
35/47L (mm/in)	120/4.72	120/4.72	215/8.46	245/9.65	120/4.72	120/4.72	193/7.60
60/78L (mm/in)	155/6.10	155/6.10	285/11.22	315/12.40	155/6.10	155/6.10	277/10.91

Figura 5b

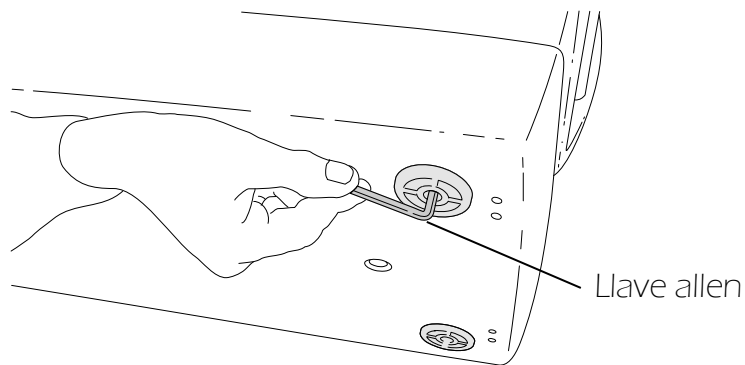
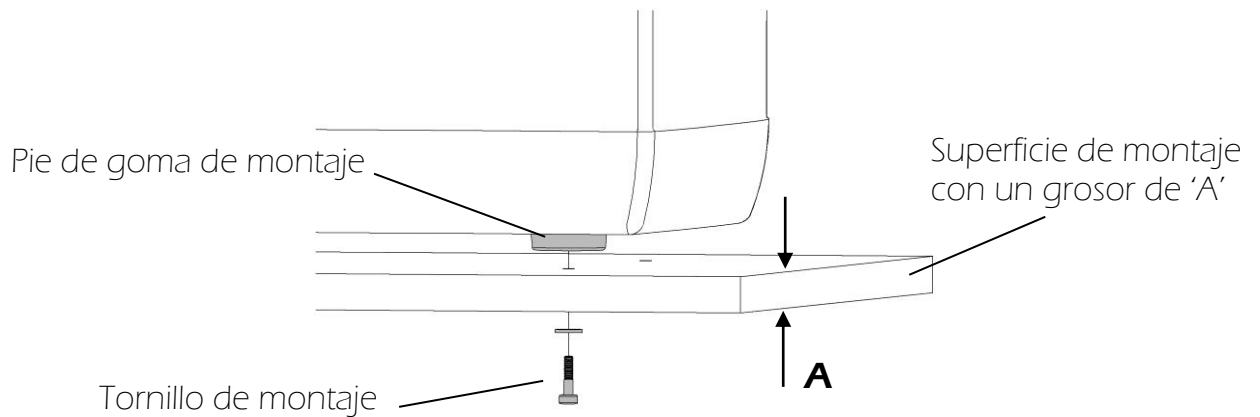


Figura 5c



6 FUNCIONAMIENTO

6.1 Antes del uso

Antes de poner en marcha su nevera-congelador por primera vez, debe limpiarla por dentro y por fuera con un paño húmedo. Consulte el capítulo "Limpieza y mantenimiento" para obtener más detalles sobre el mantenimiento de su nevera-congelador.

6.2 Transportar la nevera-congelador

La nevera-congelador ARB está equipada con un asa de acero acabado con pintura en polvo en cada extremo de la cámara. Para elevar y mover la nevera-congelador deben utilizarse estas asas.

ADVERTENCIA: *NO debe utilizarse NUNCA la pestaña de cierre de la tapa para elevar o mover la nevera-congelador.*

PRECAUCIÓN: *la nevera-congelador debe elevarse al menos entre dos personas.*

6.3 Abrir la nevera-congelador

Su nevera-congelador ARB dispone de una pestaña de cierre de la tapa en la parte central superior de la misma, que ejerce presión positiva entre la tapa, la cámara y el precinto de la tapa.

Para abrir la tapa de la nevera-congelador:

- Ponga la mano debajo de la pestaña de cierre de la tapa, tal como se muestra en la figura 6a.
- Levante la pestaña alejándola del cuerpo de la nevera-congelador. La pestaña se separa de la nevera-congelador ejecutando un arco, tal como se muestra en la figura.
- Una vez que la pestaña se ha separado de la tapa de la nevera-congelador, suéltela. La pestaña descansa abajo separada de la tapa, tal como se muestra en la figura 6b.
- Coloque la mano debajo del asidero de la tapa y levántela tal como se muestra en la figura 6c.

Para cerrar la tapa de la nevera-congelador:

- Coloque la pestaña de cierre de la tapa sobre el tope situado en la tapa, tal como se muestra en la figura 6d.
- Presione la pestaña hacia el cuerpo de la nevera-congelador hasta que la pestaña encaje en su posición, tal como se muestra en la figura 6e. La pestaña, al encajar, produce un chasquido.
- La pestaña está ahora cerrada.

Figura 6a

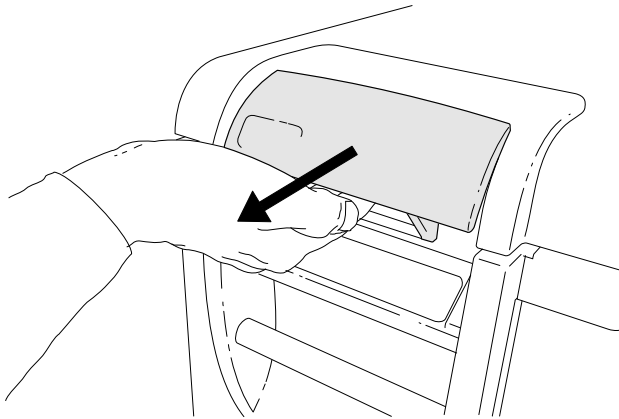


Figura 6b

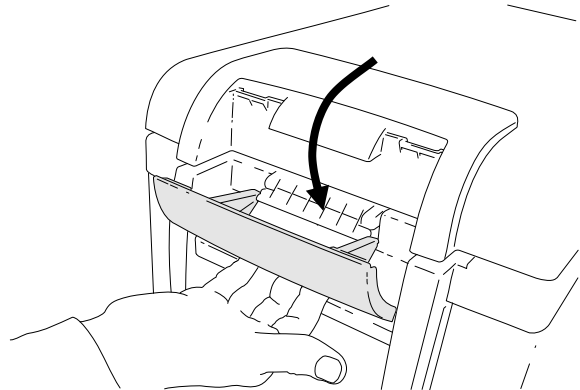


Figura 6c

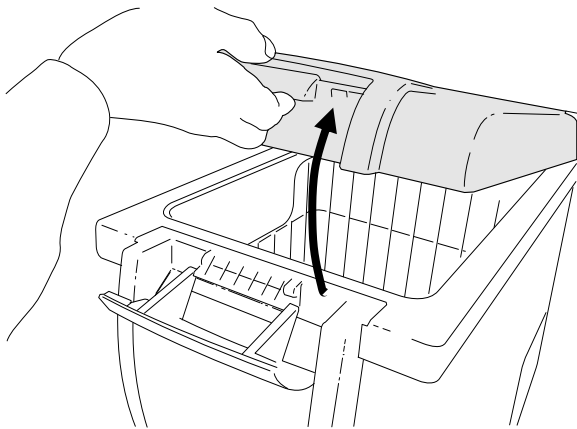


Figura 6d

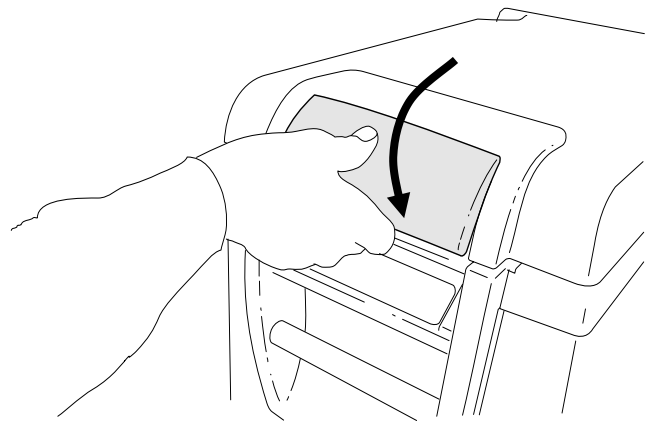
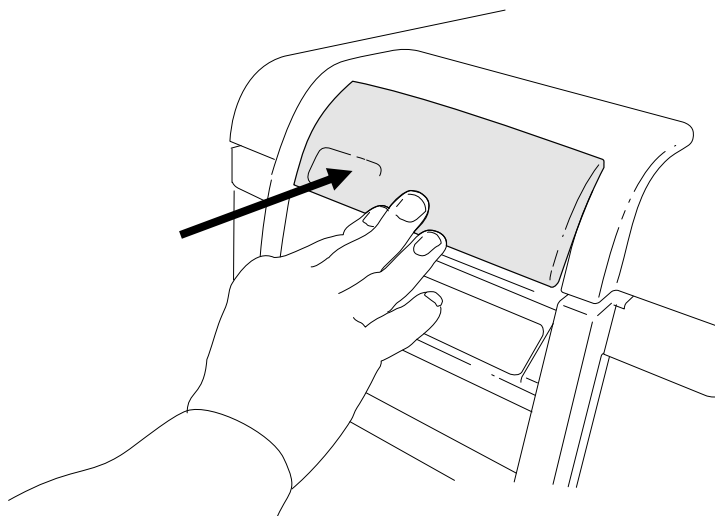


Figura 6e



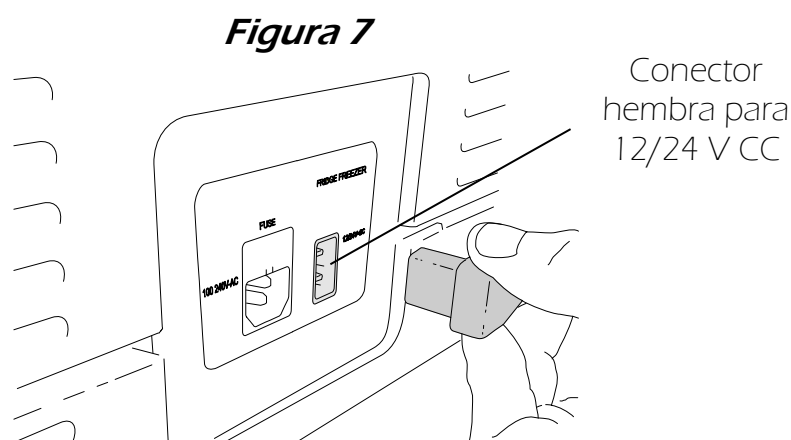
6.4 Conectar la nevera-congelador

6.4.1 Conexión a 12/24 V CC

Su nevera-congelador ARB puede funcionar con 12 V o con 24 V CC. La nevera-congelador está equipada con un circuito de control que evita la inversión de la polaridad y posibles cortocircuitos cuando la unidad está conectada a una batería.

Para conectar su nevera-congelador al suministro de 12 V o 24 V CC:

- Conecte el cable de suministro para 12/24 V en el conector hembra de corriente continua del panel posterior de la nevera-congelador, tal como se muestra en la figura 7.
- Conecte el extremo libre del cable a una fuente eléctrica de 12 V o 24 V CC.



6.4.2 Requisitos para el cableado de 12/24 V CC

Para poder garantizar un rendimiento óptimo de su nevera-congelador ARB, es importante que la instalación eléctrica utilizada tenga la capacidad suficiente para la carga requerida. El circuito eléctrico para accesorios de numerosos vehículos no es adecuado para semejante tarea.

ARB le recomienda que instale un circuito eléctrico específico para alimentar la nevera-congelador. El circuito debe ser lo más corto posible y debe estar conectado directamente al suministro eléctrico mediante un fusible de 10 amperios.

En instalaciones en automóviles o embarcaciones, ARB le recomienda que conecte el circuito eléctrico de la nevera-congelador a una fuente aislada de suministro, tal como un sistema de batería auxiliar. Ello evitará que se descargue la batería principal de arranque del vehículo/embarcación.

Para cables de longitud igual o inferior a 6 m, ARB recomienda un diámetro mínimo de cable de 6 mm.

Para cables de longitud superior a 6 m, ARB le recomienda que consulte a un técnico cualificado cuál es el diámetro adecuado para el cable.

6.4.3 Conector hembra para 12/24 V CC

La clavija del cable de alimentación de 12/24 V CC tiene un collar adaptador desmontable. Con el collar colocado, tal como se muestra en la figura 8a, esta clavija encaja en un conector hembra convencional de vehículo para accesorios (encendedor). Sin el collar, tal como se muestra en la figura 8b, esta clavija encaja en un conector hembra auxiliar de ARB 2 polos.

Figura 8a

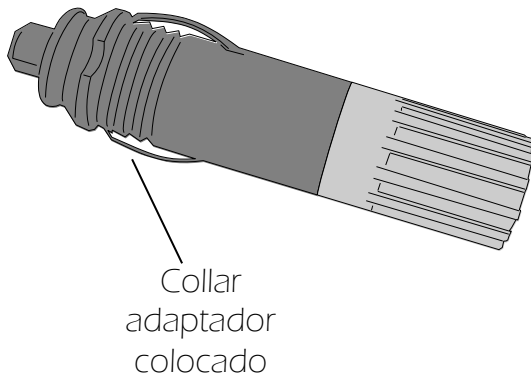
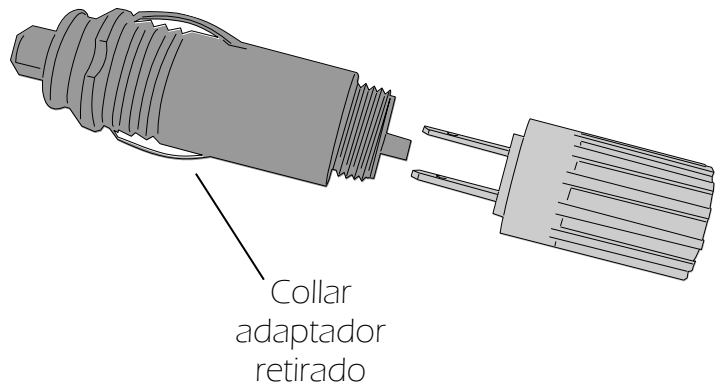


Figura 8b



ARB recomienda encarecidamente utilizar estas conexiones de 2 polos para todas las conexiones de 12 V CC y 24 V CC de la nevera-congelador. Esto garantiza una conexión positiva y segura entre la fuente de alimentación y la nevera-congelador.

A la hora de elegir la ubicación para el conector hembra auxiliar de su nevera-congelador, debe tener en cuenta los puntos siguientes.

- Ubique el conector hembra tan cerca de la nevera-congelador como sea práctico.
- Ubique el conector hembra en una posición conveniente que facilite al usuario conectar y desconectar la clavija.
- Ubique el conector hembra en un lugar donde esté protegido del polvo y la humedad.
- Ubique el conector hembra en un lugar alto del vehículo para evitar que se moje si entrara agua en el coche.

NOTA: si se retira la clavija or collar adaptador y la nevera-congelador se conecta directamente con un cable a un circuito de 12 V o 24 V CC, debe incluirse un fusible de 10 amperios en el circuito.

6.4.4 Conexión a 100 - 240 V CA

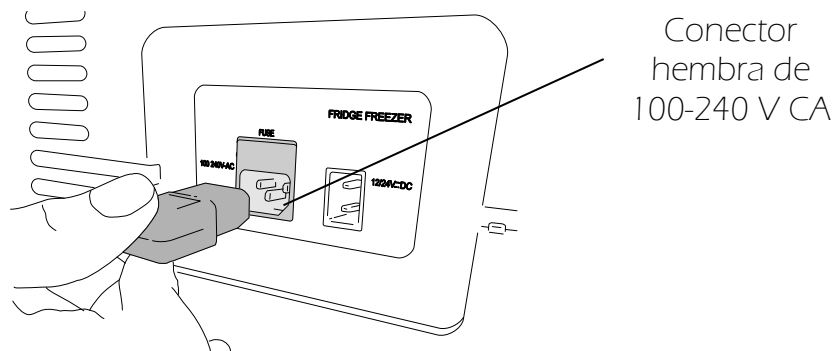
Su nevera-congelador ARB puede funcionar con un voltaje de corriente alterna de 100 - 240 V. La nevera-congelador dispone de un circuito preferente que prioriza el suministro principal de CA frente al suministro de CC. Si la nevera-congelador está conectada tanto a un suministro de CA como a uno de CC, la unidad funcionará con el de CA.

NOTA: puede que el LED rojo se ilumine brevemente cuando se cambia la tensión de alimentación entre CA y CC.

Para conectar la nevera-congelador al suministro de 100 - 240 V CA:

- Conecte el cable de suministro para 100 - 240 V en el conector hembra de CA del panel posterior de la nevera-congelador, tal como se muestra en la figura 9.
- Conecte el extremo libre del cable a una fuente eléctrica de 100 - 240 V CA.

Figura 9



PRECAUCIÓN: no manipule nunca las clavijas, cables o interruptores con las manos mojadas o mientras se encuentre sobre una superficie mojada.

PRECAUCIÓN: si está usando la nevera-congelador con un suministro de 100 - 240 V CA, debe instalar un disyuntor de corriente residual en el circuito. ARB le recomienda que consulte a un técnico especialista.

6.4.5 Conexión a un generador accionado por motor

Tome nota de los puntos siguientes antes de conectar su nevera-congelador ARB a un generador accionado por motor.

- El generador debe disponer de un regulador automático de tensión. Debe suministrar tensión de CA de onda sinusoidal pura estándar, sin fluctuaciones de tensión ni de frecuencia (p. ej. 120 V CA~60 Hz ó 240 V CA~50 Hz).
- Si utiliza la salida de CC de su generador, debe conectar una batería del voltaje adecuado (12 ó 24 V) entre el generador y la nevera-congelador.
- La nevera-congelador debe apagarse para encender y apagar el generador.

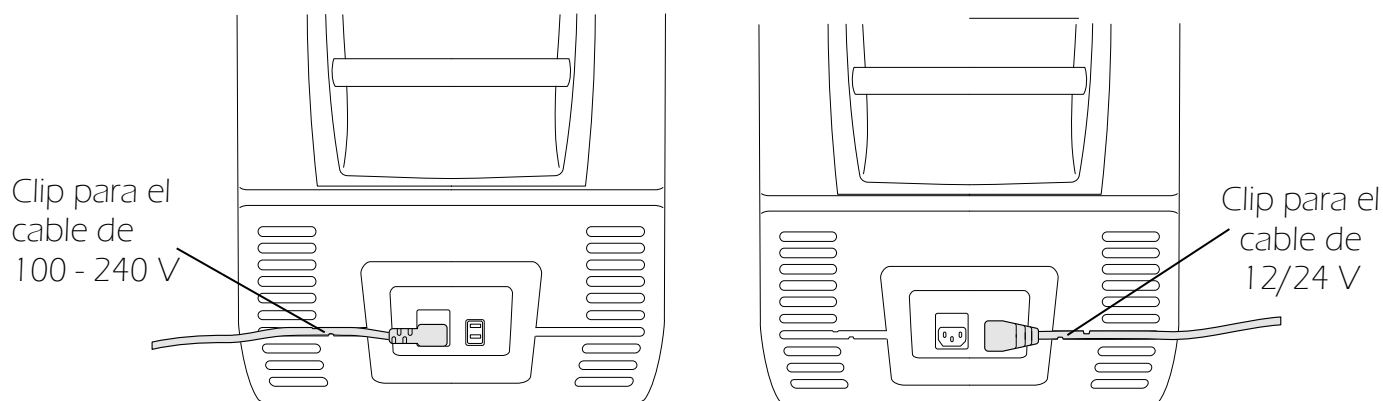
PRECAUCIÓN: algunos generadores accionados por motor no son adecuados para suministrar corriente a su nevera-congelador.

6.5 Clips para el cable

Su nevera-congelador ARB dispone de clips en el panel trasero de la unidad, que sirven para retener los cables tanto de 12/24 V CC como de 100 - 240 V CA. Estos clips para cables están dimensionados para los cables de corriente suministrados con su nevera-congelador. El clip para cables izquierdo mostrado en la figura 10a es para el cable de 100 - 240 V CA. El clip derecho es para el cable de 12/24 V CC, tal como se muestra en la figura 10b.

Figura 10a

Figura 10b



Para montar el cable en los clips:

- Enchufe el cable en el conector hembra de suministro correcto. Consulte la sección 6.4.
- Empezando por el extremo más cercano a la clavija, presione el cable en el clip rotándolo. La rotación ayuda a que el cable se introduzca debajo de los clips.

NOTA: al montar o retirar los cables, tenga cuidado de no dañar el cuerpo de la nevera-congelador ni los cables de suministro.

ADVERTENCIA: estos clips para cables están dimensionados para los cables suministrados con su nevera-congelador. ARB no recomienda introducir otros cables en estos clips.

6.6 Consejo para ahorrar energía

Para ayudarle a conseguir el rendimiento óptimo de su nevera-congelador, ARB le recomienda:

- Coloque la nevera-congelador en una zona bien ventilada y protegida de la radiación solar directa.
- Intente minimizar la frecuencia con la que abre la puerta de la nevera-congelador.
- No deje la tapa abierta más tiempo del estrictamente necesario.
- Evite ajustar la temperatura objetivo más baja de lo necesario.
- Cuando empiece a formarse hielo, descongele el aparato.

6.7 Retirar la tapa

La tapa de su nevera-congelador ARB puede retirarse y montarse fácil y rápidamente.

Para retirar la tapa de la nevera-congelador :

- Abra la tapa hasta que el reborde interno de la misma esté separado de la cámara de la nevera-congelador, tal como se muestra en la figura 11a. El procedimiento para abrir la tapa de la nevera-congelador se describe en la sección 6.3.
- Agarre firmemente la tapa con ambas manos.
- Tire de la tapa hacia el frente de la nevera, tal como se muestra en la figura 11b. Los pernos de tope de la tapa se sueltan y puede retirarse la tapa de la cámara de la nevera-congelador.

Figura 11a

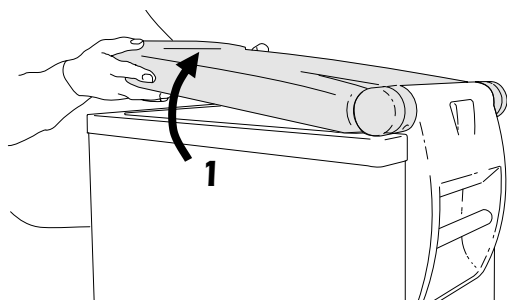
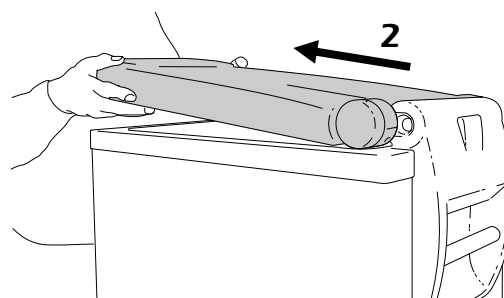


Figura 11b



CONSEJO: si encuentra difícil retirar la tapa, al tirar de ella hacia delante presione ligeramente de lado al mismo tiempo. Esto ayudará a desalojar uno de los pernos de tope de la tapa.

Para volver a montar la tapa de la nevera-congelador:

- Coloque la tapa encima de la cámara de la nevera-congelador con los pernos de tope de la tapa alineados con los orificios correspondientes, tal como se muestra en la figura 11c. La tapa debe estar ligeramente inclinada, de modo que el reborde interno de la misma no esté en contacto con la cámara de la nevera-congelador.
- Empuje la tapa hacia la parte trasera de la cámara, de forma que los pernos de tope de la tapa se deslicen en sus orificios correspondientes, tal como se muestra en la figura 11d.
- Al introducirse en sus orificios respectivos, los pernos de tope de la tapa producen un chasquido.
- Abra y cierre la tapa, asegurándose de que ambos pernos de tope de la tapa estén bien colocados.
- Cierre la pestaña de cierre siguiendo los pasos descritos en la sección 6.3.

Figura 11c

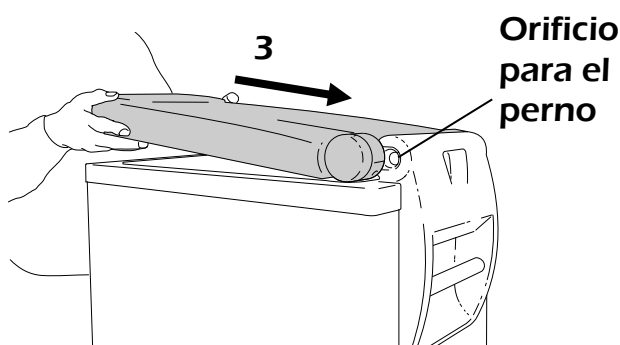
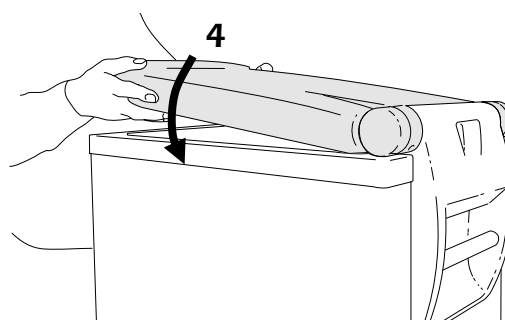


Figura 11d



6.8 Encender y apagar la nevera-congelador

Para encender la nevera-congelador ARB:



Pulse y mantenga pulsado entre dos y tres segundos.

Cuando la nevera-congelador está encendida, el LED de funcionamiento se ilumina en verde.

La pantalla mostrará la temperatura actual de la cámara.

NOTA: la temperatura actual de la cámara es la lectura de la temperatura en el centro de la misma. La temperatura en otras zonas de la cámara puede desviarse de este valor.






Para apagar la nevera-congelador:



- Pulse y mantenga pulsado entre dos y tres segundos.
- Cuando la nevera-congelador está apagada, el LED de funcionamiento se apaga.

6.9 Ajustar la temperatura objetivo de la cámara

Para ajustar la temperatura objetivo de la cámara de la nevera-congelador:

- Encienda la nevera-congelador.
- Pulse  una vez para mostrar la temperatura actual de la cámara.
- Pulse  para aumentar la temperatura objetivo en un grado.
- Pulse  para disminuir la temperatura objetivo en un grado.
- Pulse repetidamente  o  hasta alcanzar la temperatura objetivo deseada.
- Tras 5 - 6 segundos de inactividad, la pantalla parpadeará dos veces y volverá a mostrar la temperatura actual de la cámara.

NOTA: cuando se alcanza la temperatura objetivo, el compresor deja de funcionar y el LED de funcionamiento cambia a naranja.

6.10 Cambiar entre °C y °F

Su nevera-congelador ARB puede mostrar las temperaturas en pantalla tanto en grados Celsius (°C) como en grados Fahrenheit (°F.)

Para cambiar la indicación en pantalla entre °C y °F:

Encienda la nevera-congelador.



Pulse dos veces para mostrar el ajuste actual de indicación de temperatura.



Pulse para cambiar entre °C y °F.

Tras 5 - 6 segundos de inactividad, la pantalla parpadeará dos veces y volverá a mostrar la temperatura actual de la cámara.

6.11 Utilizar el controlador de la batería

Su nevera-congelador ARB está equipada con un controlador de la batería que controla el nivel de descarga de la misma. El controlador de la batería tiene tres ajustes: ALTO, MEDIO y BAJO. Si se ajusta en ALTO, el controlador de la batería proporciona protección máxima a la batería frente a una descarga excesiva. Si se ajusta en BAJO, el controlador de la batería permitirá que se gaste el máximo de la energía almacenada en la batería. La tabla 1 muestra los niveles de corte de la tensión para los tres ajustes posibles del controlador de la batería. El modo con el que se suministra la nevera desde fábrica es "Medium".

Si su nevera-congelador funciona sin activar el encendido del vehículo, el controlador de la batería hará que la unidad se apague en cuanto la tensión de alimentación descienda por debajo del nivel nominal ajustado. La nevera-congelador volverá a encenderse automáticamente una vez alcanzada la tensión de reconexión.

NOTA: cuando está activo el controlador de la batería, no funciona el grupo refrigerante (incluido el compresor). El LED de funcionamiento del panel de control lucirá en APAGADO, y el LED de compruebe (‘check’) lucirá en ROJO. El grupo refrigerante no volverá a activarse hasta que el nivel de tensión de la batería alcance el valor de reconexión listado en la tabla 1.

Tabla 1




	MODO CONTROLADOR BATERÍA		
	BAJO	MEDIO	ALTO
Tensión de desconexión – 12 V CC	10,1 V	11,4 V	11,8 V
Tensión de reconexión – 12 V CC	11,1 V	12,2 V	12,6 V
Tensión de desconexión – 24 V CC	21,5 V	24,1 V	24,6 V
Tensión de reconexión – 24 V CC	23,0 V	25,3 V	26,2 V

Si su nevera-congelador está conectada a la batería de arranque en un sistema 12/24 V CC, ARB le recomienda que ajuste el controlador de la batería al nivel ALTO/MEDIO.

Si su nevera-congelador está conectada a una batería auxiliar en un sistema 12/24 V CC, ARB le recomienda que ajuste el controlador de la batería al nivel BAJO.

NOTA: ARB recomienda cargar la batería sólo después de que se dispare el controlador de la batería. ARB le recomienda también que apague todos los equipos eléctricos no esenciales que se alimenten de la misma fuente que la nevera-congelador hasta que la batería esté totalmente cargada.

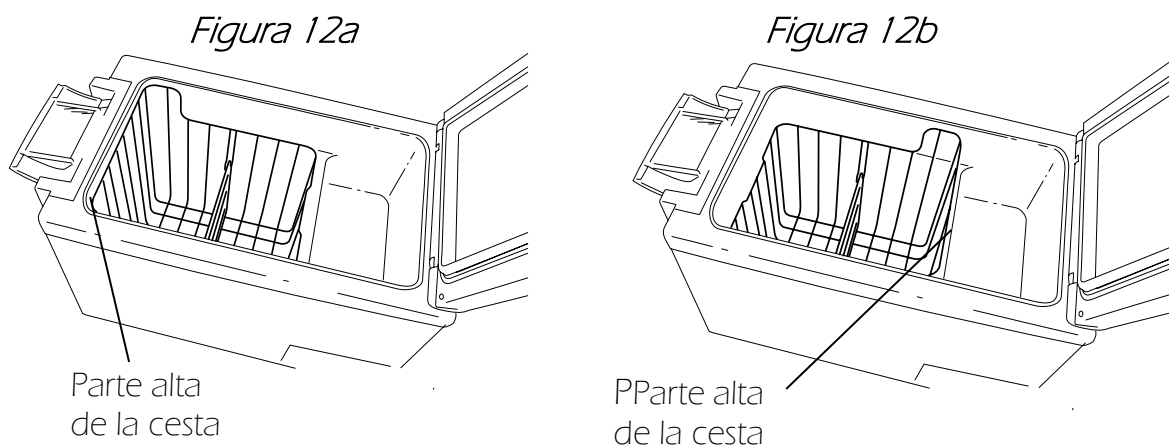
Para cambiar el nivel de protección de la batería:

- Encienda la nevera-congelador.
- Pulse  tres veces para mostrar el ajuste actual de protección de la batería.
- Pulse  o  para cambiar la tensión de protección de la batería entre alto (HI), medio (nEd) y bajo (Lo).
- Tras 5 - 6 segundos de inactividad, la pantalla parpadeará dos veces y volverá a mostrar la temperatura actual de la cámara.



6.12 Utilizar la cesta

Su nevera-congelador ARB está equipada con una cesta reversible que ayuda a proteger las paredes internas de la cámara de la nevera-congelador. La cesta puede montarse con su parte alta contra la parte delantera de la nevera como se muestra en la figura 12a. Esto permite colocar objetos a lo largo de la parte superior de la cámara de la nevera-congelador. Puede recolocarse la cesta de forma que su lado alto se encuentre en el centro de la cámara, tal como se muestra en la figura 12b. Ello proporciona un separador de plena altura entre la cámara de refrigeración principal y la cámara diaria/para la fruta.



Para retirar la cesta de la cámara:

- Eleve la cesta, sacándola verticalmente de la cámara de la nevera-congelador. Algunos modelos disponen de una canasta fija. Para invertir cestas, remover el sujetador y sustituirlo cuando se vuelve a colocar la cesta.

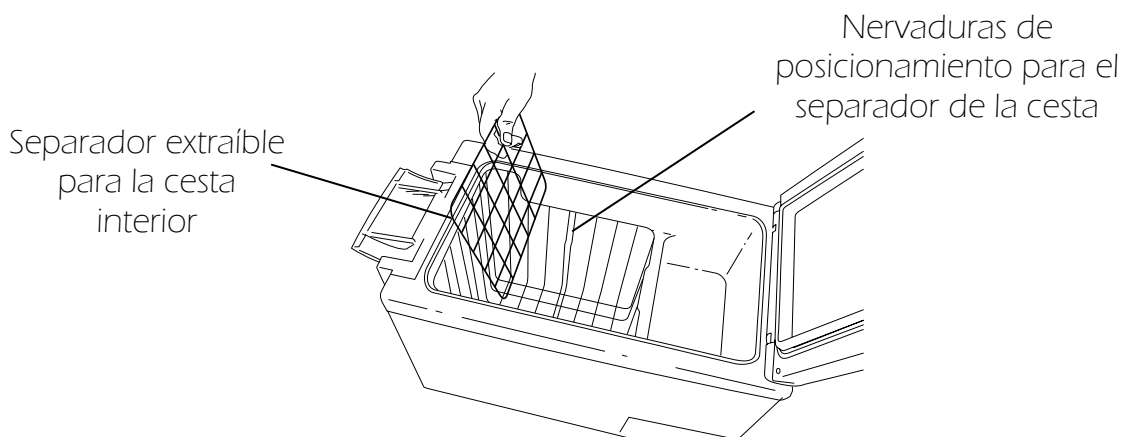
Para volver a montar la cesta en la cámara:

- Deslice la cesta hacia abajo introduciéndola en la cámara de la nevera-congelador. La cesta está correctamente colocada si su base está en contacto con la base de la cámara de la nevera-congelador.

6.13 Separador de la cesta

Su nevera-congelador ARB está equipada con un separador extraíble para la cesta. Este separador puede extraerse fácilmente levantándolo verticalmente tal como se muestra en la figura 13. Al colocarlo de nuevo, es importante situarlo entre las nervaduras de los lados de la cesta. Para los modelos con un divisor fijo, el divisor no debe separarse de la canasta.

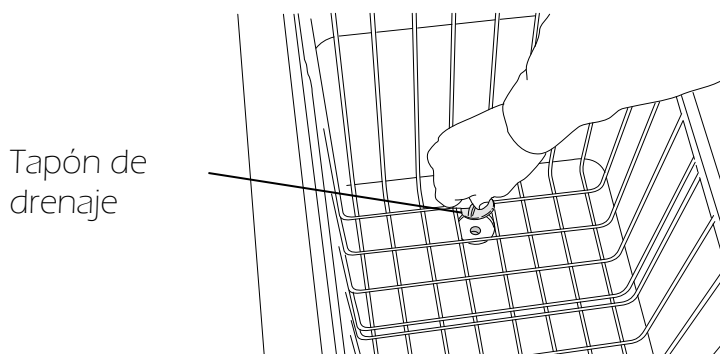
Figura 13



6.14 Tapón de drenaje

Su nevera-congelador ARB dispone de un tapón de drenaje extraíble en la base de la cámara, tal como se muestra en la figura 14. El tapón de drenaje puede retirarse para drenar el líquido acumulado en la cámara de la nevera-congelador.

Figura 14



Para retirar el tapón de drenaje:

- Abra la tapa de la nevera-congelador.
- Agarre el tapón de drenaje con los dedos.
- Tire del tapón alejándolo de la base de la cámara.

Para volver a colocar el tapón de drenaje:

- Abra la tapa de la nevera-congelador.
- Coloque la punta del tapón de drenaje en el orificio de drenaje.
- Presione suavemente el tapón de forma que se introduzca en el orificio de drenaje. El tapón de drenaje está correctamente colocado cuando el labio del tapón está completamente en contacto con la base de la cámara.

NOTA: es importante volver a colocar el tapón de drenaje antes de utilizar la nevera-congelador durante un periodo prolongado de tiempo. De lo contrario se reducirá el rendimiento del aparato.

6.15 Descongelar la nevera-congelador

De vez en cuando puede formarse hielo en el interior de la nevera-congelador ARB. El hielo reduce tanto la capacidad de la nevera como su eficiencia térmica. ARB recomienda descongelar periódicamente la nevera-congelador.

Para descongelar la nevera-congelador ARB:

- Retire el contenido de la nevera-congelador.
- Apague la nevera-congelador.
- Abra la tapa, de forma que la temperatura ambiente funda el hielo.
- Retire el tapón de drenaje y deje que el agua salga de la cámara.
- Limpie la cámara con un paño suave y elimine el agua restante.

ADVERTENCIA: *no utilice nunca objetos duros o puntiagudos para descongelar la nevera-congelador ni para desincrustar objetos que se hayan quedado congelados allí dentro.*

6.16 Cambiar el fusible de la cámara

Su nevera-congelador está equipada con un fusible situado en la parte trasera de la cámara.

PRECAUCIÓN: *desconecte la nevera-congelador de todas las fuentes de suministro eléctrico antes de cambiar el fusible de la cámara.*

Para cambiar el fusible de la cámara:

- Desenchufe los cables de alimentación CA y CC de los conectores hembra.
- Retire la caja del fusible del panel trasero de la nevera-congelador, tal como se muestra en la figura 15a. Puede que necesite un destornillador de hoja plana para levantar la caja del fusible de su alojamiento.
- Sustituya el fusible defectuoso por uno nuevo del mismo tipo. El tipo de fusible adecuado es 4A – (F4L250V). Observe la figura 15b.
- Vuelva a colocar la caja del fusible en su alojamiento.

Figura 15a

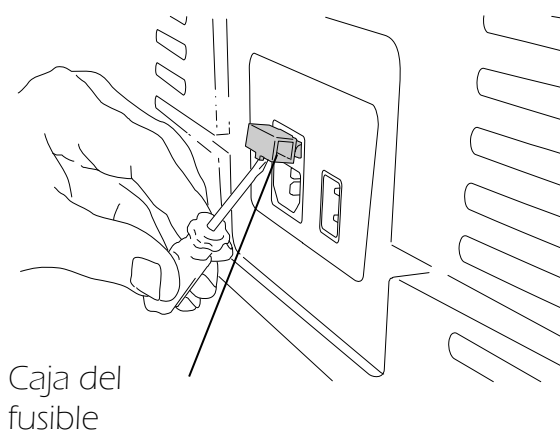
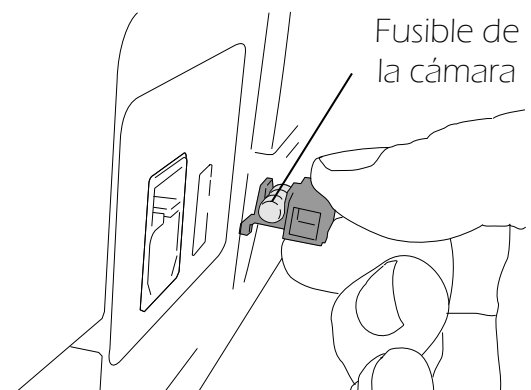


Figura 15b



6.17 Cambiar el fusible de la clavija (12/24 V)

Su nevera-congelador está equipada con un fusible situado en la clavija de 12/24 V CC.

PRECAUCIÓN: desconecte la nevera-congelador de todas las fuentes de suministro eléctrico antes de cambiar el fusible de la clavija.

Para cambiar el fusible de la clavija:

- Separe y retire la carcasa superior del cuerpo de la clavija, tal como se muestra en la figura 16a.
- Sustituya el fusible defectuoso por uno nuevo del mismo tipo, tal como se muestra en la figura 16b. El tipo de fusible adecuado es 3AG 10 Amp.
- Vuelva a montar la clavija realizando los mismos pasos en sentido inverso.

Figura 16a

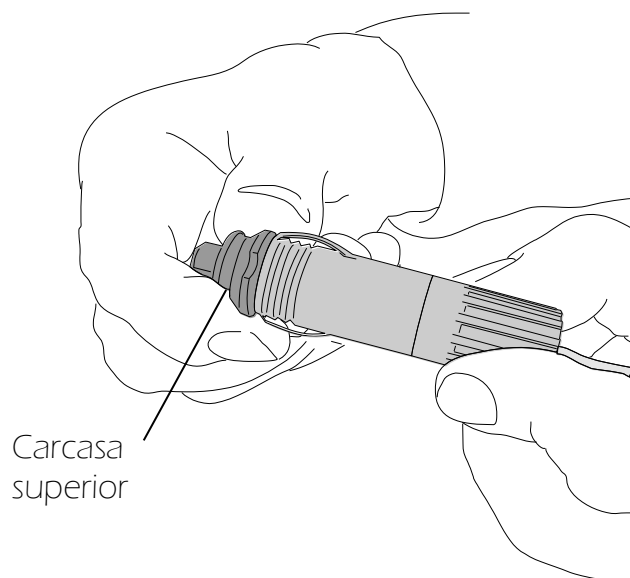
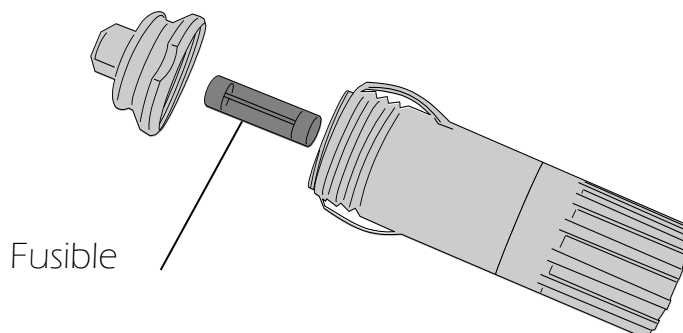


Figura 16b



6.18 Cambiar el elemento luminoso

Su nevera-congelador está equipada con un elemento luminoso LED de alta duración y bajo consumo. En las condiciones de funcionamiento habituales, no hace falta sustituir el elemento luminoso. En el caso improbable de que tenga que cambiarlo, siga el procedimiento indicado a continuación.

PRECAUCIÓN: *desconecte la nevera-congelador de todas las fuentes de suministro eléctrico antes de cambiar el elemento luminoso.*

Para cambiar el elemento luminoso:

- Si la cesta está montada con su lado alto contra el frente de la nevera-congelador, deberá retirarla para tener acceso al alojamiento de la luz. Encontrará información más detallada en la sección 6.12.
- Retire el alojamiento transparente de la luz del interior de la nevera-congelador, tal como se muestra en la figura 17a. Para hacerlo, ponga el dedo debajo del filo del alojamiento de la luz y sepárelo de la caja interior de la nevera-congelador.
- Sustituya el elemento luminoso defectuoso por uno nuevo del mismo tipo, tal como se muestra en la figura 17b. Puede adquirir los elementos luminosos de repuesto en el agente de mantenimiento de neveras-congelador ARB más cercano.
- Asegúrese de que los LEDs de dentro del elemento luminoso estén encarados hacia el lado transparente del alojamiento de la luz.
- Compruebe que la luz funcione correctamente.
- Vuelva a colocar el alojamiento de la luz en la cámara de la nevera-congelador.

Figura 17a

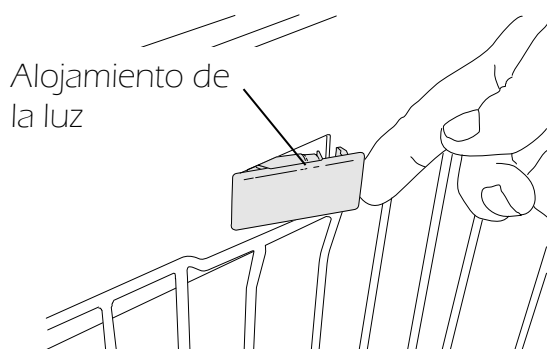


Figura 17b



6.19 Almacenar la nevera-congelador

Si va a guardar su nevera-congelador por un periodo de tiempo prolongado, ARB le recomienda lo siguiente:


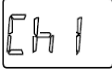


- Apague la nevera-congelador y desconecte todas las fuentes de suministro eléctrico.
- Retire todos los objetos de dentro de la nevera-congelador excepto la cesta y el separador de la cesta.
- Deje la tapa ligeramente abierta para que la cámara esté ventilada.

CONSEJO: *Para asegurar que la tapa permanezca abierta, levantar la tapa y colocar la bisagra en la parte alta del compartimento antes y suavemente bajar la tapa sobre la bisagra. Para una ventilación adicional, retirar el tapón de drenaje.*

6.20 Cambiar el canal de transmisión

La nevera ARB se puede usar con la pantalla de nevera inalámbrica ARB (se vende por separado) que tiene la opción de utilizar 4 canales de transmisión.

Para cambiar de canal de transmisión:


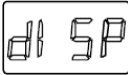


- Encienda la nevera.
- Presione  cuatro veces para mostrar el canal de transmisión actual (p. ej., )
- Presione  o  para cambiar entre Ch1, Ch2, Ch3 y Ch4.
- Al cabo de 5 o 6 segundos de inactividad, la pantalla parpadeará y volverá a mostrar la temperatura actual de la caja.

Consulte las instrucciones suministradas con la pantalla de nevera inalámbrica ARB para obtener información sobre su instalación y uso.

6.21 Cambiar el nivel de brillo del panel de control

El nivel de brillo de la pantalla del panel de control de la nevera ARB es ajustable.

Para cambiar el nivel de brillo de la pantalla del panel de control:

- Encienda la nevera.
- Presione  cinco veces para mostrar la pantalla 
- Presione  o  para cambiar entre los dos niveles de brillo.
- Al cabo de 5 o 6 segundos de inactividad, la pantalla parpadeará y volverá a mostrar la temperatura actual de la caja.

6.22 Mostrar la tensión de alimentación

La nevera ARB puede mostrar la tensión de alimentación suministrada.

Para mostrar la tensión de alimentación:

- Encienda la nevera.
- Presione  para mostrar la tensión de alimentación.

Si la nevera está conectada a corriente continua, se mostrará la tensión de alimentación.

Si está conectada a corriente alterna, se muestra «AC».

7 LIMPIEZA Y MANTENIMIENTO

Para limpiar el interior o el exterior de la nevera-congelador, utilice un paño húmedo y agua templada que contenga un detergente doméstico suave no abrasivo.

Si su nevera-congelador funciona en condiciones polvorientas, ARB le recomienda que limpie las superficies exteriores periódicamente para prevenir la acumulación de suciedad y arenilla. En particular, ARB le recomienda que limpie a menudo alrededor del mecanismo del tope de la tapa y la carcasa del motor. Para limpiar alrededor de la carcasa del motor, ARB le recomienda colocar la nevera-congelador en un lugar bien ventilado y utilizar una aspiradora o un chorro suave de aire comprimido.

ADVERTENCIA: no debe retirarse la carcasa del motor bajo ninguna circunstancia.

Antes de limpiar su nevera-congelador, tome nota de los puntos siguientes:

- Apague siempre la nevera-congelador y desenchufe las clavijas antes de limpiar o realizar el mantenimiento del aparato.
- No utilice nunca objetos duros o detergentes abrasivos para limpiar la nevera-congelador.
- No utilice cepillos, estropajos o herramientas duras o puntiagudas para descongelar la nevera-congelador.
- No limpie la nevera-congelador bajo un chorro de agua o con un limpiador de alta presión.

8 GESTIÓN DE RESIDUOS

En la medida de lo posible, tire el material de embalaje en los contenedores de recogida selectiva correspondientes.

Si desea desechar su nevera-congelador, pregunte en su centro de reciclaje local o a su distribuidor autorizado de neveras-congelador ARB acerca de los detalles sobre cómo gestionar los residuos de acuerdo con la normativa vigente.

9 SOLUCIÓN DE AVERÍAS

La siguiente lista de control le ayudará a identificar la causa del problema de su nevera-congelador. Si después de seguir toda la lista sigue sin estar seguro de la causa del fallo, póngase en contacto con su agente de mantenimiento de neveras-congelador ARB más cercano.

1. La nevera-congelador ha dejado de funcionar. El LED de funcionamiento está apagado.

- 1.1 Las conexiones de suministro de corriente podrían estar flojas o sucias, bien en la nevera-congelador o bien en el extremo de la fuente de suministro.**
 - Compruebe que no se hayan aflojado o desconectado las conexiones de suministro de la nevera-congelador.
 - Compruebe que los contactos eléctricos no están sucios, lo que impediría el flujo completo de la tensión a la nevera-congelador.
- 1.2 Puede haber saltado el fusible de la clavija del cable de 12/24 V CC.**
 - Compruebe el fusible de la clavija del cable 12/24 V CC y, en caso necesario, sustitúyalo. Consulte la sección 6.17.
- 1.3 Puede haber saltado el fusible de la cámara.**
 - Compruebe el fusible de la cámara y, en caso necesario, sustitúyalo. Consulte la sección 6.16.

2. El compresor de la nevera-congelador ha dejado de funcionar. El LED de funcionamiento luce en NARANJA.

- 2.1 La nevera-congelador ha alcanzado la temperatura objetivo.**
 - La nevera-congelador funciona correctamente. No hace falta que haga nada.

3. La nevera-congelador ha dejado de funcionar. El LED de funcionamiento luce en APAGADO y el LED ROJO de Compruebe ('check') parpadea.

- 3.1 El sistema interno de protección de la batería ha apagado la nevera-congelador ya que la tensión de la batería es baja.**
 - La nevera-congelador volverá a encenderse automáticamente una vez alcanzada la tensión de reconexión. Consulte la sección 6.11 para más información sobre las tensiones de desconexión y de reconexión.

4. La nevera-congelador no enfría o ha dejado de funcionar. El LED de funcionamiento luce en verde.

- 4.1 Puede que haya un fallo interno en la nevera-congelador.**
 - Éste deberá ser reparado exclusivamente por un agente de mantenimiento de neveras-congelador de ARB.

5. El panel de control muestra un mensaje de error (p. ej. ERR1, ERR2, ERR3) y la nevera-congelador no enfría.

- 5.1 Puede que se haya apagado la nevera-congelador debido a un fallo interno.**
 - Éste deberá ser reparado exclusivamente por un agente de mantenimiento de neveras-congelador de ARB.

6. Cuando la nevera-congelador está conectada a un circuito eléctrico del vehículo, de vez en cuando sufre sacudidas o deja de funcionar.

6.1 Es probable que el circuito de su vehículo sufra pérdidas de tensión.

- Esto puede confirmarse realizando una lectura de la tensión en el extremo del cable de alimentación de la nevera-congelador. Si la lectura es inferior a 11.8 voltios (12VCC)/24.1 voltios (24VCC), debe hacer una comprobación del circuito.
- En caso necesario, mejore el circuito que utiliza para la nevera-congelador utilizando como guía la información de la sección 6.4.

7. La nevera-congelador se para y se pone en marcha de forma imprevisible o funciona de forma irregular.

7.1 Puede que el sistema interno de protección de la batería apague la nevera-congelador debido a que la tensión de la batería es baja.

- Compruebe si la alimentación de tensión en la clavija de la nevera-congelador ha descendido por debajo de la tensión de desconexión listada en la sección 6.11. La tensión debe leerse en la clavija de la nevera-congelador, ya que normalmente hay una pérdida de uno a dos voltios entre la fuente de alimentación (batería) y la clavija de la nevera-congelador.
- Puede que haya que sustituir la batería del vehículo o cambiar el cableado que va hasta la nevera-congelador por uno de mayor calidad. Para más detalles acerca de los requisitos del cableado, consulte la sección 6.4.

8. La nevera-congelador funciona durante periodos demasiado prolongados y no enfría adecuadamente.

8.1 El buen rendimiento de las neveras-congelador depende, especialmente a temperaturas ambiente elevadas, de una buena circulación de aire alrededor de las ranuras de ventilación de la nevera-congelador.

- Compruebe que ninguna de las ranuras de ventilación esté obstruida y que haya suficiente espacio libre alrededor para asegurar una buena circulación de aire alrededor de la nevera-congelador. Encontrará información más detallada en la sección 5.1.

9. Cuando la tapa de la nevera-congelador está abierta, la luz LED de la cámara no se enciende.

9.1 Puede que la nevera-congelador no esté conectada a una fuente de alimentación adecuada.

- Compruebe la conexión entre la fuente de alimentación y la nevera-congelador.

9.2 Puede que el elemento luminoso LED se haya fundido.

- Compruebe el elemento luminoso y, en caso necesario, sustitúyalo. Encontrará información más detallada en la sección 6.18.

10 GARANTÍA

ARB garantiza que los productos ARB no tienen defectos de fabricación ni de materiales durante el período de garantía. Si se detectaran defectos de fabricación o materiales durante el período de garantía, ARB sustituirá o reparará el producto defectuoso.

Los beneficios ofrecidos al cliente por esta garantía se suman a otros derechos y recursos del cliente en virtud de la normativa correspondiente a los productos o servicios relacionados con la garantía.

1) En esta garantía:

- **ARB** se refiere a ARB Corporation Limited (ABN 31 006 708 756) de 42-44 Garden St, Kilsyth Victoria 3137
- **Punto de venta ARB** se refiere a un punto de venta autorizado para vender e instalar Productos ARB
- **Producto ARB** se refiere a productos fabricados por ARB o de los que ARB es suministrador exclusivo
- **Información del producto** se refiere a la información sobre el Producto ARB correspondiente, que se puede obtener en la documentación suministrada con los productos ARB, el manual del propietario, el manual de funcionamiento, el manual de mantenimiento del manual del fabricante o en etiquetas fijadas al Producto ARB
- **Período de garantía** se refiere, para cualquier Producto ARB, al período de vigencia de esta garantía contra defectos, según lo establecido en las tablas del párrafo 8.

2) Para tener derecho a la garantía, el cliente debe:

- a) instalar el Producto ARB en conformidad con la Información del producto
- b) llevar a cabo las tareas normales de cuidado y mantenimiento del Producto ARB, incluidas las especificadas en la Información del producto.
- c) proporcionar una prueba de compra del Producto ARB
- d) realizar la reclamación dentro del Período de garantía

2) La garantía no se aplicará en los casos en que el defecto se deba a:

- a) uso inusual, incorrecto o negligente (o uso inadecuado) del producto ARB
- b) instalación incorrecta del Producto ARB realizada por un punto de venta que no sea un Punto de venta ARB.
- c) carga del Producto ARB con un peso superior al especificado en la Información del producto
- d) uso de componentes distintos de los componentes ARB genuinos en (o con) el Producto ARB
- e) uso en vehículos con modificaciones no aprobadas en la Información del producto o en un Punto de venta ARB en el momento de realizar la instalación
- f) uso en carreras o competición
- g) uso del Producto ARB que no cumpla los requisitos de la Información del producto

3) El procedimiento que debe seguir un cliente para hacer una reclamación de la garantía es:

- a) Devolver el Producto ARB al Punto de venta ARB más cercano o ponerse en contacto con ARB para concertar una cita para llevar un vehículo equipado con el Producto ARB a un Punto de venta ARB para la inspección del producto. Los datos de contacto se especifican en el párrafo 7 más abajo (si fuera necesaria más información sobre los datos de contacto del punto de venta local)
- b) Proporcionar una prueba de compra del Producto ARB al Punto de venta ARB.
- c) ARB revisará el producto ARB y determinará si se cumplen las condiciones de la garantía

4) Si ARB acepta la reclamación de garantía del cliente, se hará cargo de los gastos de reparación de los defectos de mano de obra o materiales.

5) El cliente deberá hacerse cargo de los gastos que haya tenido que realizar para reclamar la garantía.

6) Esta garantía la proporciona: ARB Corporation Limited
42-44 Garden Street Kilsyth VIC 3137, Australia
Teléfono: 03 9761 6622
Fax: 03 9721 9090
www.arb.com.au

7) El período en que debe aparecer un defecto en los Productos ARB para que el cliente tenga derecho a reclamar la garantía es de 3 años desde la fecha de compra, a menos que:

- a) Se dé al Producto ARB un Uso comercial. Uso comercial se refiere a un uso industrial o comercial que incluye (sin limitaciones) el uso en el sector minero o en un vehículo de alquiler. En este caso el Período de garantía es de 1 año o 20 000 km (el menor de los dos), o un tercio del período o la distancia especificados en la tabla, desde la fecha de compra.

8) La garantía contra defectos incluida en este documento reemplaza cualquier otra garantía contra defectos o garantía voluntaria proporcionada para los Productos.

Nuestros productos contienen garantías que no se pueden excluir ante la ley australiana de clientes. Tiene derecho a una sustitución o un reembolso en caso de avería grave, y a una compensación por otras pérdidas o daños previsibles que sean razonables. También tiene derecho a la reparación o sustitución de los productos si su calidad no fuera aceptable o si la avería no fuera grave.

11 DATOS TÉCNICOS

Capacidad total - Litros (cuartos de galón)	35 (37)	47 (50)	60 (63)	78 (82)
Tipo	10801020	10801010	10801030	10801040
Categoría	1	1	1	1
El consumo anual de energía [kWh/año]	93	95	99	111
Clase climática	N,T	N,T	N,T	N,T
Índice de Energía Eficiencia	A+	A+	A+	A+
Tensión de conexión (excepto en América del Norte)	12/24 V CC y 100 - 240 V CA			
Tensión de conexión de América del Norte	12/24 V CC y 120 V CA ~ 60 Hz			
Corriente de régimen				
- 12V CC	5.0 A	5.1 A	5.3 A	7.3 A
- 24V CC	2.5 A	2.8 A	3.0 A	3.5 A
- 100-240 VAC	0.8-0.4 A	1.0-0.6 A	1.0-0.5 A	1.2-0.6 A
- 120 VCA	0.75 A	0.9 A	1.0 A	1.1 A
Potencia de refrigeración	de +10 °C a -18 °C (de +50 °F a 0 °F)			
Temperatura ambiente	de +16 °C a +43 °C (de +70 °F a +109 °F)			
Peso -Kg (lb)	20 (45)	22 (50)	24 (54)	27 (60)
Ruido [dbA]	50	50	50	50
Refrigerante - R134a - g (oz)	42 (1.48)	47 (1.66)	56 (1.98)	63 (2.22)
Dimensiones externas - mm (in) - Figura 18a				
- H1	428 (16.9)	508 (20.0)	428 (16.9)	508 (20.0)
- A1	380 (15.0)	380 (15.0)	450 (17.7)	450 (17.7)
- P1	705 (27.8)	705 (27.8)	845 (33.3)	845 (33.3)
Dimensiones internas - mm (in) - Figura 18b				
- H2	321 (12.6)	401 (15.8)	321 (12.6)	401 (15.8)
- H3	126 (5.0)	206 (8.1)	126 (5.0)	206 (8.1)
- A2	285 (11.2)	285 (11.2)	355 (14.0)	355 (14.0)
- P2	337 (13.3)	337 (13.3)	477 (18.8)	477 (18.8)
- P3	151 (6.0)	151 (6.0)	151 (6.0)	151 (6.0)

Nota: La capacidad máxima de enfriado es de 50°C (122 ° F) en temperatura ambiente. Si la temperatura ambiente supera los 32°C (90 ° F), no podrá alcanzarse la temperatura mínima.

Figura 18a

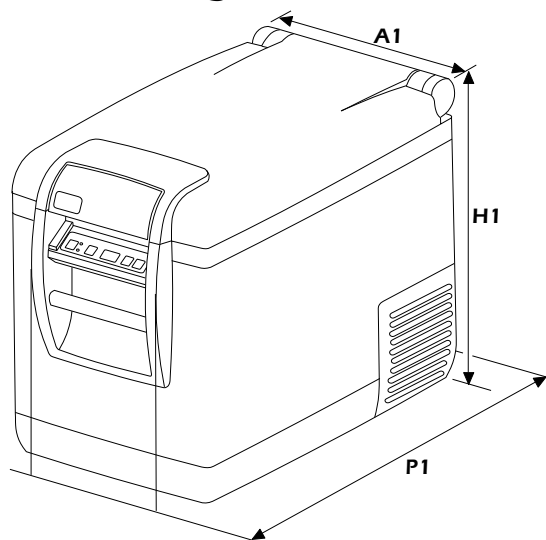
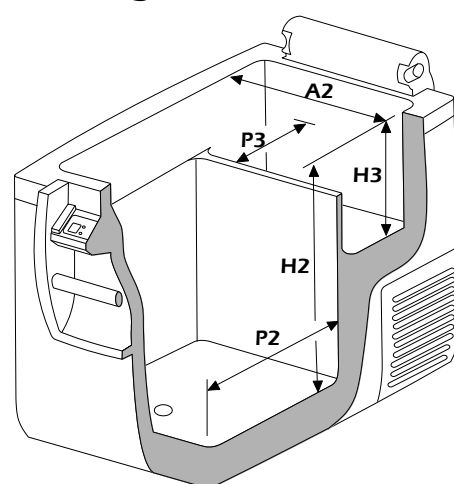


Figura 18b



Este dispositivo no contiene CFCs. El circuito refrigerante contiene R134a. La renovación o recarga del refrigerante deberá ser solamente realizada por mecánicos autorizados de refrigeración

Lisez attentivement ce mode d'emploi avant la première mise en fonctionnement de votre réfrigérateur congélateur ARB. Conservez ce manuel en lieu sûr avec le livret de garantie et service après-vente ARB et une copie de votre reçu.

TABLE DES MATIÈRES

1	INTRODUCTION	86
2	DÉTAIL DES ÉLÉMENTS FOURNIS	86
3	CONSIGNES DE SÉCURITÉ	87
	3.1 Sécurité générale	87
	3.2 Utilisation sécurisée du réfrigérateur congélateur	87
4	PRÉSENTATION DE VOTRE RÉFRIGÉRATEUR CONGÉLATEUR ARB	88
5	INSTALLATION	89
	5.1 Installation générale	89
	5.2 Installation à bord d'un véhicule	90
	5.2.1 Montage permanent.....	90
	5.2.2 Montage temporaire	90
6	FONCTIONNEMENT	92
	6.1 Avant d'utiliser votre réfrigérateur	92
	6.2 Transport du réfrigérateur	92
	6.3 Ouverture du réfrigérateur congélateur	92
	6.4 Branchement du réfrigérateur congélateur	94
	6.4.1 Branchement sur le courant continu 12/24 V	94
	6.4.2 Câblage 12/24 V CC requis	94
	6.4.3 Connecteur 12/24 V CC.....	95
	6.4.4 Branchement sur le courant alternatif 100–240 V	96
	6.4.5 Branchement sur un générateur entraîné par un moteur	96
	6.5 Pontets de fixation pour câbles	97
	6.6 Recommandations en matière d'économie d'énergie.....	97
	6.7 Retrait du couvercle.....	98
	6.8 Mise en marche ou arrêt du réfrigérateur congélateur.....	99
	6.9 Réglage de la température cible	99
	6.10 Modification de l'unité de mesure de l'affichage (°C ou °F)	99
	6.11 Utilisation du dispositif de surveillance de la batterie	100
	6.12 Utilisation du panier.....	101
	6.13 Cloison de panier	102
	6.14 Bouchon d'évacuation.....	102
	6.15 Dégivrage du réfrigérateur congélateur	103
	6.16 Remplacement du fusible du coffre.....	103
	6.17 Remplacement du fusible du connecteur (12/24 V)	104
	6.18 Remplacement de l'ampoule.....	105
	6.19 Stockage du réfrigérateur congélateur	105
	6.20 Changement de canal de transmission	106
	6.21 Modification de la luminosité du panneau de commande	106
	6.22 Affichage de la tension d'alimentation.....	106
7	NETTOYAGE ET ENTRETIEN	107
8	ÉLIMINATION	107
9	DYSFONCTIONNEMENTS	108
10	GARANTIE	110
11	CARACTÉRISTIQUES TECHNIQUES	111

1 INTRODUCTION

Félicitations et merci d'avoir acheté un réfrigérateur congélateur ARB. Votre Congélateur/Réfrigérateur ARB a été spécifiquement conçu pour des conditions extrêmes et son but principal est de rafraîchir la nourriture et des boissons. Il peut aussi être utilisé comme un congélateur si désiré. Grâce aux instructions et aux conseils contenus dans ce document, vous pourrez tirer le meilleur parti de votre nouveau réfrigérateur congélateur, tant en terme de performance que de fiabilité.

Votre réfrigérateur congélateur ARB est conçu pour fonctionner sur la prise 12 V CC ou 24 V CC d'un véhicule, d'un bateau ou d'une caravane. Il peut également être branché sur une prise principale de 100–240 V CA grâce à l'inverseur de courant intégré.

ATTENTION ! Si vous souhaitez conserver des médicaments, vérifiez que la capacité réfrigérante de votre réfrigérateur congélateur est adaptée.

2 DÉTAIL DES ÉLÉMENTS FOURNIS

Votre réfrigérateur congélateur ARB a été livré avec les éléments suivants. Si l'un de ces éléments n'a pas été livré avec votre nouveau réfrigérateur congélateur, contactez votre fournisseur local de réfrigérateurs congélateurs ARB.

ARTICLE	QUANTITÉ
<i>Congélateur réfrigérateur ARB</i>	<i>1</i>
<i>Panier réversible</i>	<i>1</i>
<i>Cloison du panier</i>	<i>1</i>
<i>Câble électrique 12/24 V</i>	<i>1</i>
<i>Câble électrique 100–240 V</i>	<i>1</i>
<i>Manuel de l'utilisateur du réfrigérateur congélateur ARB</i>	<i>1</i>
<i>Livret de garantie et service après-vente du réfrigérateur congélateur ARB</i>	<i>1</i>

3 CONSIGNES DE SÉCURITÉ

3.1 Sécurité générale

Pour la sécurité de tous les utilisateurs de votre réfrigérateur congélateur, ARB recommande d'observer les consignes de sécurité générale suivantes :

- Respectez toujours la tension appropriée pour le réfrigérateur congélateur avec la polarité adéquate.
- Ne branchez jamais votre réfrigérateur congélateur à un chargeur de batterie, à un convertisseur CA/CC ou à un redresseur de courant.
- Débranchez le réfrigérateur congélateur de la batterie avant d'utiliser un chargeur de batterie à grande vitesse de charge.
- N'utilisez pas de matériaux durs, abrasifs ou corrosifs pour nettoyer ou dégivrer le réfrigérateur congélateur.
- Veillez à ce que les enfants ne jouent pas avec le réfrigérateur congélateur.
- Cet appareil n'est pas adapté aux personnes dont les capacités physiques, sensorielles et mentales sont réduites ou qui manquent d'expérience ou de connaissance (notamment les enfants). Ces personnes doivent utiliser l'appareil sous la surveillance d'une personne responsable de leur sécurité.
- Si le câble d'alimentation est endommagé, remplacez-le avant d'utiliser le réfrigérateur congélateur.
- Débranchez votre réfrigérateur congélateur avant de le nettoyer ou de le réparer.
- N'entreposez pas de liquides ou de gaz inflammables dans votre réfrigérateur congélateur ou à proximité.
- N'ouvrez pas et ne manipulez pas le circuit de réfrigération.
- Ne retirez et ne modifiez aucun composant électronique.
- N'utilisez pas le réfrigérateur congélateur pour entreposer ou transporter des produits caustiques ou à base de solvant.
- N'utilisez pas votre réfrigérateur congélateur ARB si vous constatez des signes visibles de dommages.
- Confiez votre réfrigérateur congélateur uniquement à un agent de service après-vente agréé ARB.
- Ne stockez pas de substances explosives comme des aérosols avec un propulseur inflammable dans cet appareil.
- Cet appareil est destiné à être utilisé de façon domestique ou :
 - Dans les coins cuisines de Personnel de magasins, bureaux et autres environnements de travail.
 - Par les clients d'hôtels, motels et dans d'autres environnements de type résidentiels.
 - Dans la restauration

3.2 Utilisation sécurisée du réfrigérateur congélateur

Pour que vous puissiez utiliser votre réfrigérateur congélateur en toute sécurité, ARB recommande d'observer les consignes de sécurité suivantes :

- Veillez à ce qu'il y ait toujours une ventilation suffisante autour de votre réfrigérateur congélateur afin d'éviter toute surchauffe. Pour plus d'informations, consultez la section 5.1.
- Ne touchez pas la coque métallique interne de votre réfrigérateur avec les mains mouillées.
- Ne placez pas votre réfrigérateur congélateur à proximité d'une flamme nue ou de toute autre source de chaleur (appareils de chauffage, feux de camp, fours à gaz, rayons directs du soleil, etc.).
- Ne remplissez pas votre réfrigérateur congélateur de glace ou de fluide.
- N'introduisez pas d'appareils électriques dans votre réfrigérateur congélateur.
- Protégez votre réfrigérateur congélateur de la pluie et de l'humidité.
- N'utilisez pas votre réfrigérateur congélateur, si vous supposez qu'il a été exposé à l'humidité.
- N'utilisez pas votre réfrigérateur congélateur s'il a été plongé dans l'eau.

4 PRÉSENTATION DE VOTRE RÉFRIGÉRATEUR CONGÉLATEUR ARB

Les figures 1 à 4 ci-dessous présentent les principaux composants de votre réfrigérateur congélateur ARB.

Figure 1 : Face avant du réfrigérateur

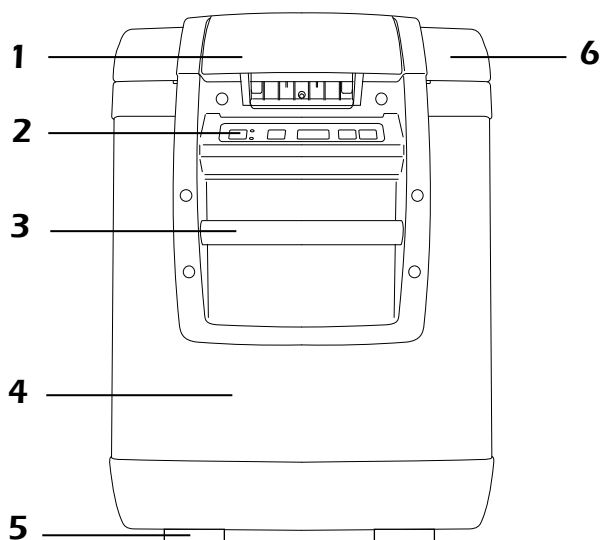


Figure 2 : Face arrière du réfrigérateur

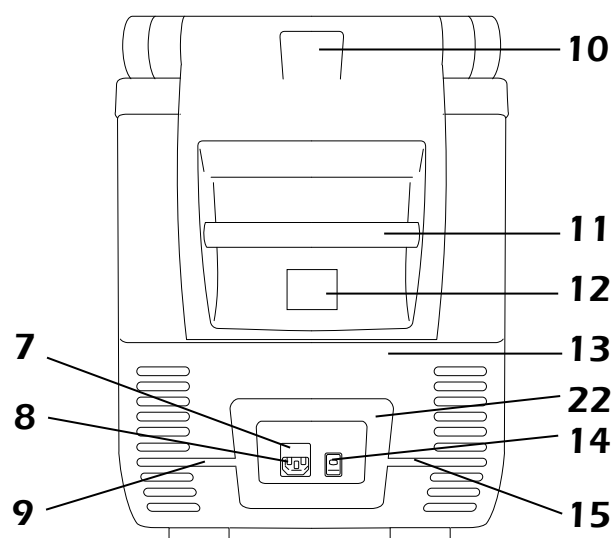
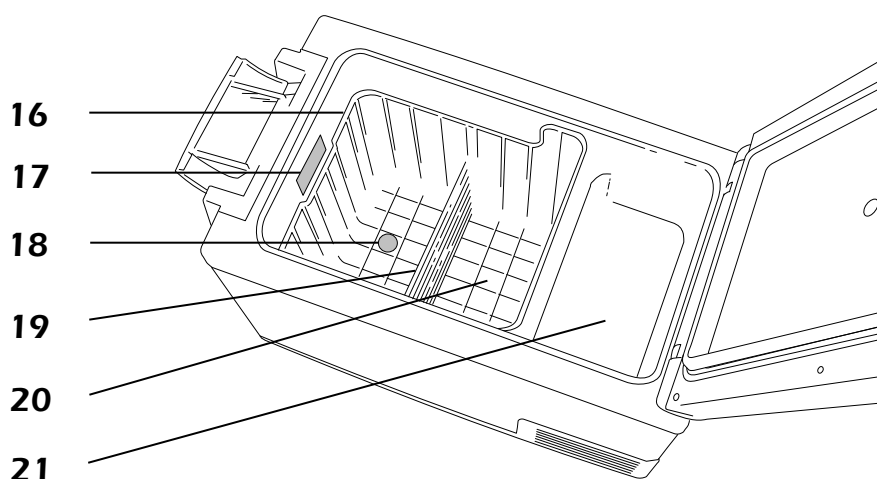


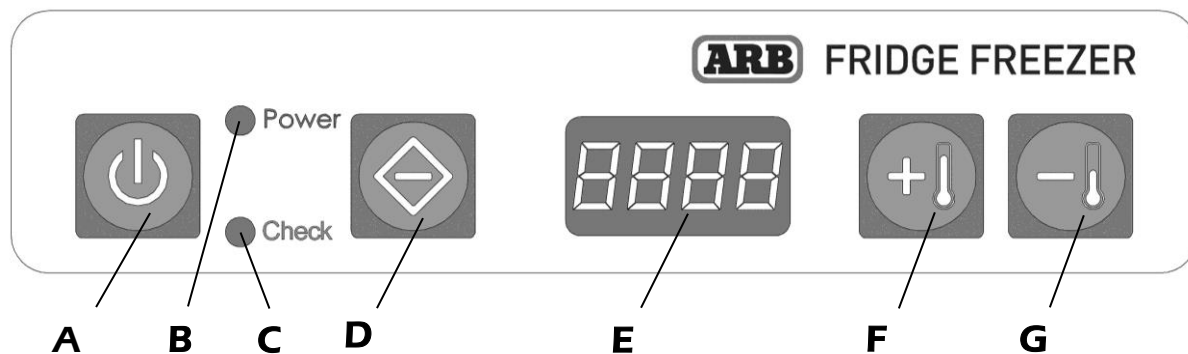
Figure 3 : Intérieur du coffre



- | | |
|---|---|
| 1. loquet du couvercle | 12. plaque d'attestation de conformité et numéro de série |
| 2. panneau de contrôle | 13. caisson du moteur |
| 3. poignée de transport avant | 14. connecteur 12/24 V CC |
| 4. coffre en acier galvanisé | 15. pontet de fixation pour câble 12/24 V CC |
| 5. 4 pieds caoutchoutés | 16. panier réversible |
| 6. couvercle | 17. DEL d'éclairage du coffre |
| 7. fusible du coffre | 18. bouchon d'évacuation |
| 8. connecteur 100-240 V CA | 19. cloison du panier |
| 9. pontet de fixation pour câble 100-240 V CA | 20. compartiment principal de réfrigération |
| 10. butée du couvercle | 21. compartiment fraîcheur |
| 11. poignée de transport arrière | 22. Prise pour émetteur sans fil |

Le compartiment fraîcheur de votre réfrigérateur congélateur ARB est conçu pour garder une température supérieure à celle du compartiment principal. Il est par conséquent l'endroit idéal pour conserver des produits frais, des fruits, des légumes et du chocolat.

Figure 4 : Panneau de contrôle



- A. bouton ON / OFF
- B. DEL indiquant que l'appareil est allumé*
- C. DEL signalant une Vérifiez ('check')
- D. bouton de sélection des fonctions
- E. affichage numérique de la température
- F. bouton d'augmentation de la température (*réglage à la hausse*)
- G. bouton de diminution de la température (*réglage à la baisse*)

* Lorsque le compresseur fonctionne, la DEL d'allumage s'allume en vert. Elle s'allume en orange lorsque le compresseur ne fonctionne pas (par exemple, lorsque le réfrigérateur a atteint sa température cible).

5 INSTALLATION

5.1 Installation générale

Considérez les points suivants avant de choisir un endroit approprié pour installer votre réfrigérateur congélateur ARB :

- Ménagez un espace minimum de 50 mm de part et d'autre du réfrigérateur congélateur.
- Fixez le réfrigérateur congélateur à des points d'ancrage sécurisés, que l'installation soit permanente ou temporaire.
- Installez de préférence le réfrigérateur congélateur sur une surface plane horizontale. Le réfrigérateur congélateur peut cependant supporter des inclinaisons de 30°, si nécessaire (par exemple, la houle sur un bateau).
- Évitez d'installer le réfrigérateur congélateur à proximité d'objets durs ou chauds.
- Évitez d'installer le réfrigérateur congélateur à proximité d'objets qui, n'étant pas fixés, pourraient tomber sur le réfrigérateur et en gêner le bon fonctionnement.
- N'utilisez jamais le réfrigérateur congélateur à proximité de liquides ou de vapeurs inflammables.
- Ne pas coucher ou entreposer le réfrigérateur/congélateur sur les cotés

5.2 Installation à bord d'un véhicule

5.2.1 Montage permanent

La base de votre réfrigérateur congélateur ARB est munie de quatre tampons filetés qui peuvent être utilisés pour une installation permanente de l'appareil sur un socle solide ou sur une glissière. Les tampons filetés sont situés au centre de chacun des pieds caoutchoutés. ARB recommande de les utiliser pour un montage permanent du réfrigérateur congélateur. Si vous prévoyez de déplacer votre réfrigérateur congélateur régulièrement, consultez la section 5.2.2 (montage temporaire).

Pour installer votre réfrigérateur congélateur de manière permanente :

- Placez le réfrigérateur congélateur à l'endroit désiré et dessinez les contours de l'appareil sur la surface de montage.
- Retirez le réfrigérateur congélateur et repérez le centre de l'appareil (point C sur la figure 5a).
- Percez quatre trous de 6,5 mm dans la surface de montage comme indiqué sur le schéma de la figure 5a.
- Pour pouvoir utiliser l'évacuation, percez un trou de 13 mm dans la surface de montage au niveau du point C comme indiqué sur la figure 5a.
- Retirez les boulons M6 situés au centre de chaque pied caoutchouté à l'aide d'une clé Allen comme indiqué sur la figure 5b. Vérifiez que le pied caoutchouté reste fixé à la base de l'appareil.
- Placez le réfrigérateur congélateur sur la surface de montage de façon à ce que les trous percés s'alignent avec les tampons filetés de l'appareil.
- Fixez l'appareil à la surface de montage à l'aide des boulons M6 comme indiqué sur la figure 5c. Ne dépassez pas ; le couple de serrage maximal de 3,5 Nm (2,5 lbft) lorsque vous resserrez les boulons M6. ARB déconseille d'enduire les boulons de produit d'étanchéité permanent pour raccords filetés.

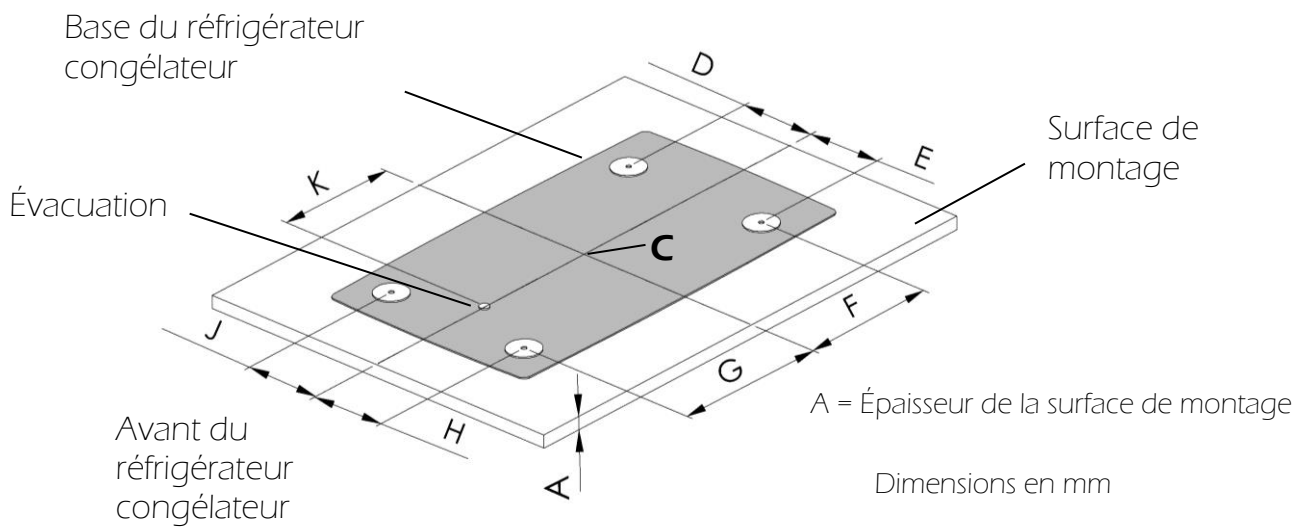
REMARQUE :

- ***Les pieds caoutchoutés doivent s'encastrent entre la base de l'appareil et la surface de montage.***
- ***Si vous avez besoin de boulons plus longs, utilisez des vis à tête cylindrique creuses haute résistance M6 x 1,0 de classe 8,8 minimum. Pour éviter d'endommager les composants électroniques du réfrigérateur, la longueur des boulons doit être augmentée en fonction de l'épaisseur de la surface de montage (dimension « A » sur la figure 5a) plus 8 mm afin de permettre leur insertion dans les pieds caoutchoutés.***
- ***Évitez de coucher le réfrigérateur congélateur sur le côté pour retirer les boulons M6.***

5.2.2 Montage temporaire

Les poignées en acier à chaque extrémité de votre réfrigérateur congélateur ARB ont été conçues pour servir de points d'attache. ARB recommande d'utiliser le système d'attache ARB pour un montage sécurisé du réfrigérateur congélateur sur des points d'ancrage solides.

Figure 5a



Volume total	D	E	F	G	H	J	K
35/47L (mm/in)	120/4.72	120/4.72	215/8.46	245/9.65	120/4.72	120/4.72	193/7.60
60/78L (mm/in)	155/6.10	155/6.10	285/11.22	315/12.40	155/6.10	155/6.10	277/10.91

Figure 5b

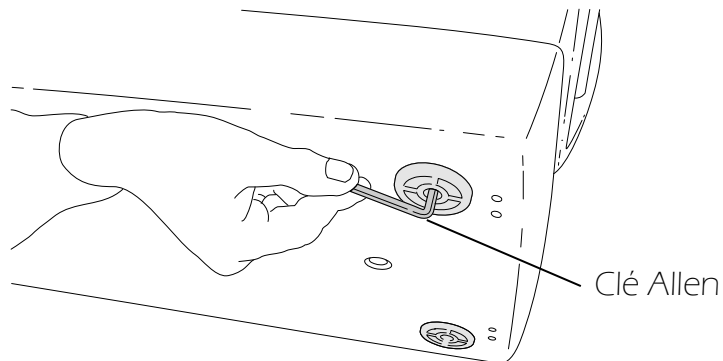
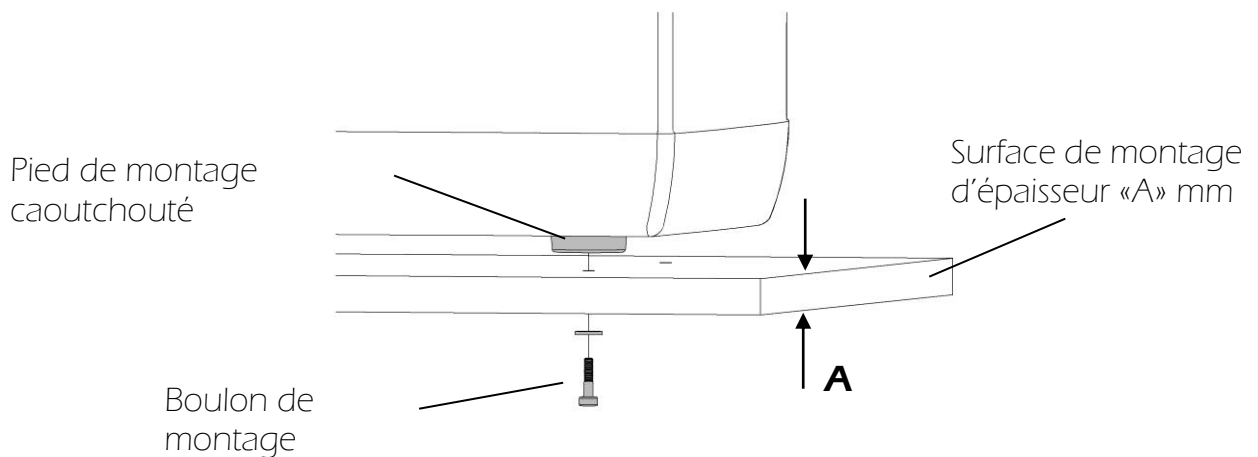


Figure 5c



6 FONCTIONNEMENT

6.1 Avant d'utiliser votre réfrigérateur

Avant de mettre en marche votre réfrigérateur congélateur pour la première fois, nettoyez-en l'intérieur et l'extérieur à l'aide d'un chiffon humide. Consultez le chapitre « Nettoyage et entretien » pour plus d'informations sur l'entretien de votre réfrigérateur congélateur.

6.2 Transport du réfrigérateur

Votre réfrigérateur congélateur ARB est muni de poignées en acier galvanisé à chacune de ses extrémités. Utilisez-les pour soulever et déplacer le réfrigérateur congélateur.

AVERTISSEMENT : N'UTILISEZ JAMAIS le loquet du couvercle pour soulever ou déplacer le réfrigérateur congélateur.

ATTENTION ! Le réfrigérateur congélateur doit toujours être soulevé par au moins deux personnes.

6.3 Ouverture du réfrigérateur congélateur

Votre réfrigérateur congélateur ARB est muni d'un loquet de couvercle, situé au centre de la partie supérieure, qui permet une pression adéquate entre le couvercle, le coffre et le joint du couvercle.

Pour ouvrir le couvercle du réfrigérateur congélateur :

- Placez votre main sous le loquet comme indiqué sur la figure 6a.
- Soulevez le loquet de manière à ce qu'il s'écarte du corps du réfrigérateur congélateur. Le loquet s'écarte du réfrigérateur congélateur en décrivant un arc de cercle comme indiqué sur le schéma.
- Une fois que vous avez écarté le loquet du couvercle du réfrigérateur congélateur, relâchez-le. Il vient se positionner à l'écart du couvercle comme indiqué sur la figure 6b.
- Placez votre main sous le passe-main et soulevez le couvercle comme indiqué sur la figure 6c.

Pour fermer le couvercle du réfrigérateur congélateur :

- Placez le loquet sur les butées du loquet comme indiqué sur la figure 6d.
- Appuyez le loquet contre le corps du réfrigérateur congélateur jusqu'à ce que le loquet s'enclenche dans l'emplacement comme indiqué sur la figure 6e. Lorsque le loquet s'enclenche, vous entendrez un clic.
- Le loquet est alors fermé.

Figure 6a

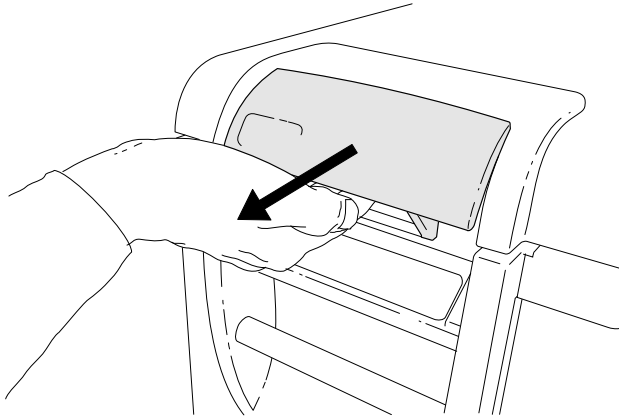


Figure 6b

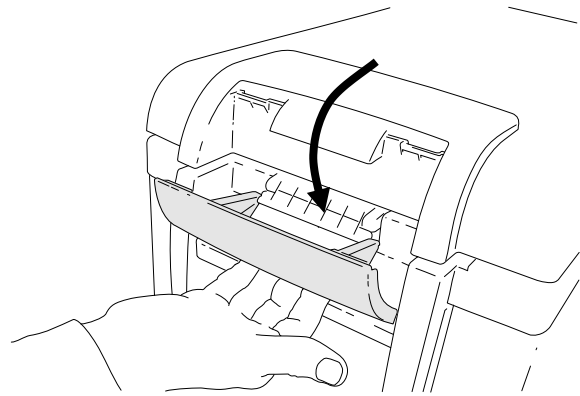


Figure 6c

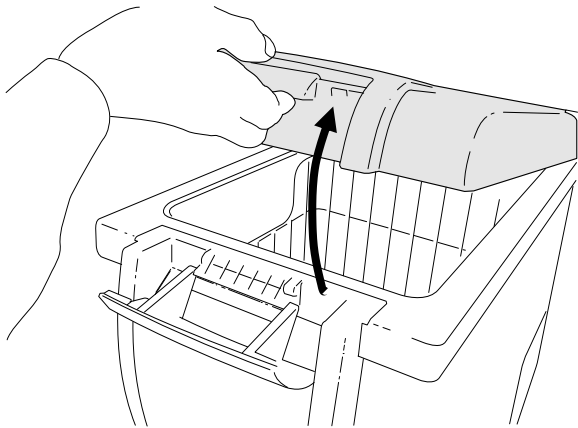


Figure 6d

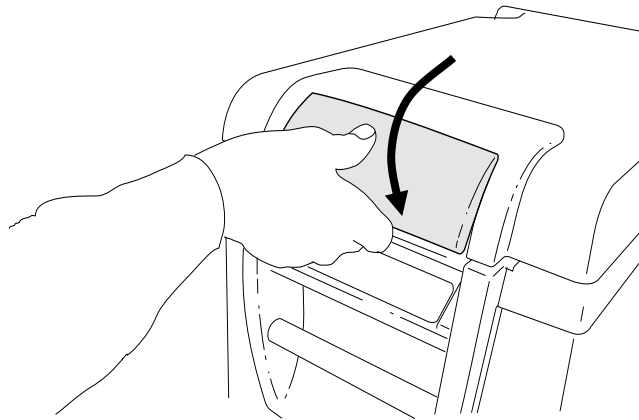
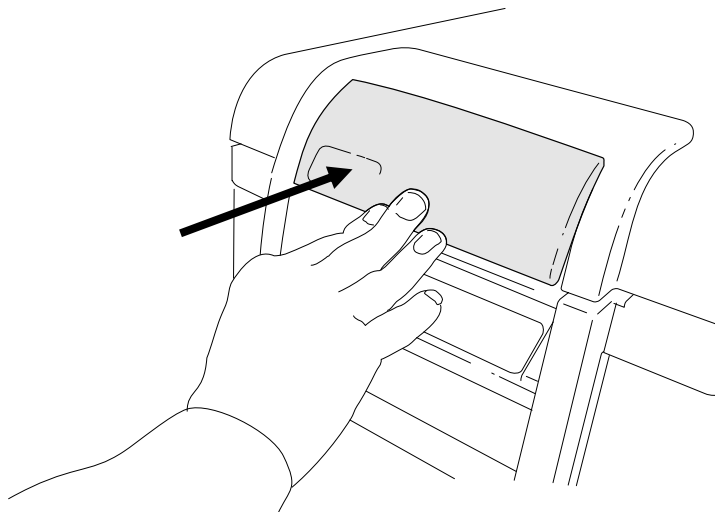


Figure 6e



6.4 Branchement du réfrigérateur congélateur

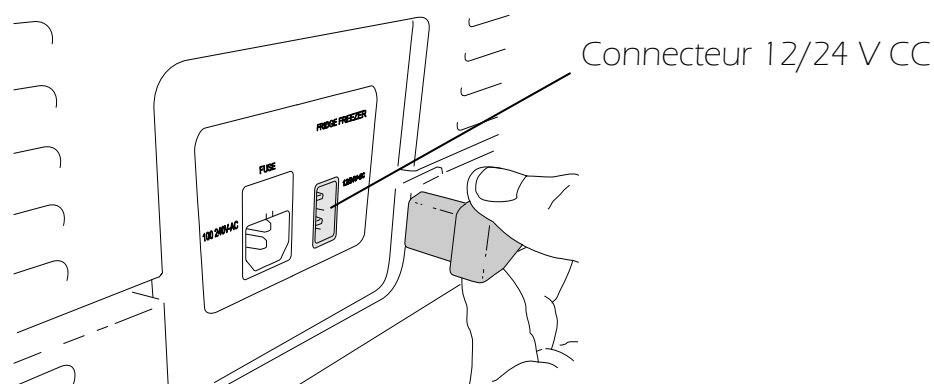
6.4.1 Branchement sur le courant continu 12/24 V

Votre réfrigérateur congélateur ARB fonctionne sur du 12 V ou du 24 V CC. Votre réfrigérateur congélateur est muni d'un circuit de commande pour empêcher une inversion de polarité et d'éventuels courts-circuits lorsque l'appareil est branché sur une batterie.

Pour brancher votre réfrigérateur congélateur sur une prise 12 V ou 24 V CC :

- Branchez le cordon 12/24 V dans le connecteur CC sur le panneau arrière du réfrigérateur congélateur comme indiqué sur la figure 7.
- Branchez l'autre extrémité du cordon à une prise 12 V ou 24 V CC.

Figure 7



6.4.2 Câblage 12/24 V CC requis

Pour garantir un fonctionnement optimal de votre réfrigérateur congélateur ARB, votre système de câblage doit pouvoir supporter la charge requise. Peu de véhicules disposent d'un système de câblage pour accessoires approprié.

ARB recommande d'installer un circuit de câblage spécifique pour l'alimentation du réfrigérateur congélateur. Ce circuit doit être le plus court possible et être directement relié à la prise via un fusible de 10 Amp.

Si vous installez le réfrigérateur congélateur dans une automobile ou un bateau, ARB recommande de brancher le circuit de câblage à une prise isolée, telle qu'un système de batterie auxiliaire. Vous éviterez ainsi que la batterie principale ne se décharge.

Lorsque la longueur du câble est inférieure à 6 m, ARB recommande un diamètre minimum de 6 mm.

Lorsque la longueur du câble est supérieure à 6 m, ARB recommande de consulter un technicien qualifié qui vous indiquera le diamètre de câble approprié.

6.4.3 Connecteur 12/24 V CC

Le connecteur de votre cordon 12/24 V CC est muni d'un collier adaptateur amovible. Lorsqu'il est en place, comme sur la figure 8a, le connecteur s'enfiche dans les prises conventionnelles fournies comme accessoires de véhicule (allume-cigare). Lorsque le collier adaptateur est retiré, comme sur la figure 8b, le connecteur s'enfiche dans ARB une prise auxiliaire bipolaire.

Figure 8a

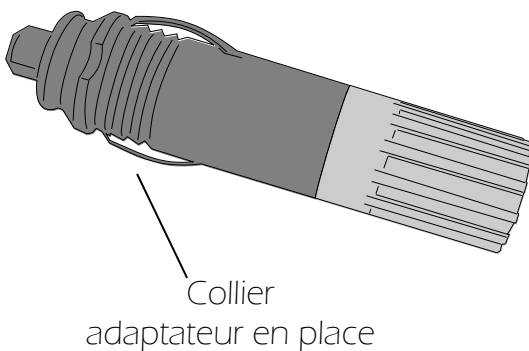
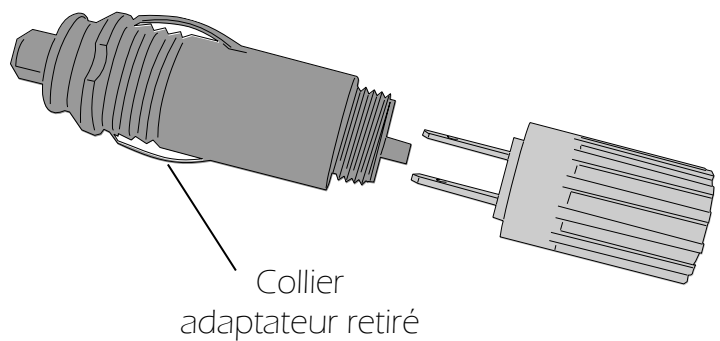


Figure 8b



ARB recommande fortement d'utiliser une prise bipolaire chaque fois que le réfrigérateur congélateur est branché sur du 12 V CC ou du 24 V CC. Vous obtiendrez ainsi un branchement positif et sécurisé entre la source de courant et le réfrigérateur congélateur.

Considérez les points suivants avant de choisir un endroit approprié pour installer le connecteur auxiliaire de votre réfrigérateur congélateur :

- Placez le connecteur aussi près du réfrigérateur congélateur que possible.
- Placez le connecteur à un emplacement adéquat afin de pouvoir facilement brancher et débrancher la fiche du connecteur.
- Choisissez un emplacement à l'abri de la poussière et de l'humidité.
- Choisissez un emplacement en hauteur dans le véhicule pour éviter que le connecteur ne soit mouillé si de l'eau s'introduisait dans le véhicule.

REMARQUE : Si vous débranchez la fiche ou collier adaptateur alors que le réfrigérateur congélateur est connecté à un circuit 12 V or 24 V CC introduisez un fusible de 10 Amp en série dans le circuit.

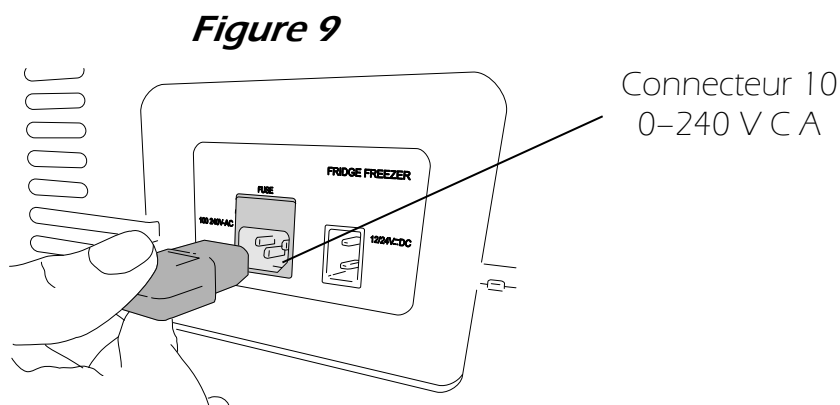
6.4.4 Branchement sur le courant alternatif 100–240 V

Votre réfrigérateur congélateur ARB peut fonctionner sur une tension alternative de 100–240 V. Le réfrigérateur congélateur est équipé d'un circuit relais qui donne la priorité aux principaux courants alternatifs sur les courants continus. Si le réfrigérateur congélateur est branché à la fois sur une alimentation alternative et sur une alimentation continue, l'appareil fonctionne sur l'alimentation alternative.

REMARQUE : La DEL rouge peut s'allumer brièvement lorsque le courant fourni bascule de l'alimentation alternative à l'alimentation continue.

Pour brancher votre réfrigérateur congélateur sur une prise 100–240 V CA :

- Branchez le cordon 100–240 V dans le connecteur CA sur le panneau arrière du réfrigérateur congélateur comme indiqué sur la figure 9.
- Branchez l'autre extrémité du cordon à une prise 100–240 V CA.



ATTENTION ! Ne manipulez jamais les fiches, les cordons et les interrupteurs avec des mains mouillées ou si vous vous tenez sur une surface mouillée.

ATTENTION ! Si vous faites fonctionner votre réfrigérateur congélateur sur une prise 100–240 V CA, vous devez installer dans le circuit un disjoncteur à courant résiduel. ARB vous recommande de prendre conseil auprès d'un technicien qualifié.

6.4.5 Branchement sur un générateur entraîné par un moteur

Tenez compte des points suivants avant de brancher votre réfrigérateur congélateur ARB sur un générateur entraîné par un moteur.

- Le générateur doit être équipé d'un régulateur de tension automatique. Il doit fournir une tension alternative standard, avec une onde sinusoïdale pure, sans variation de tension ni de fréquence (par exemple, 120 V CA~60 Hz ou 240 V CA~50 Hz).
- Si vous utilisez la sortie CC de votre générateur, vous devez brancher une batterie de tension appropriée (12 ou 24 V) entre le générateur et le réfrigérateur congélateur.
- Le réfrigérateur congélateur doit être arrêté lorsque vous démarrez ou arrêtez le générateur.

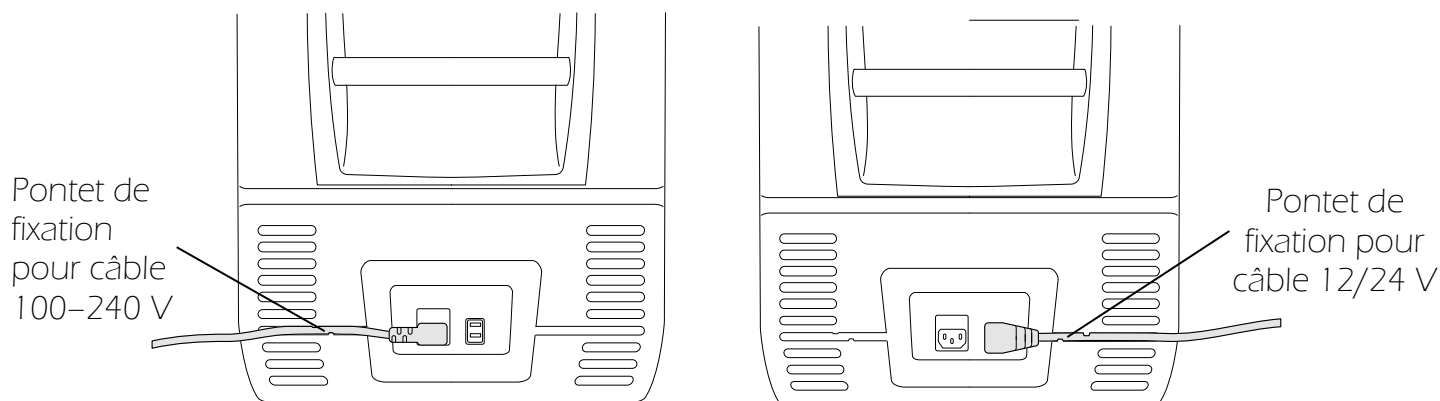
ATTENTION ! Certains générateurs entraînés par un moteur ne conviennent pas pour alimenter votre réfrigérateur congélateur.

6.5 Pontets de fixation pour câbles

Le panneau arrière de votre réfrigérateur congélateur ARB est muni de pontets de fixation pour maintenir les câbles 12/24 V CC et 100-240 V CA. Ces pontets de fixation sont aux dimensions exactes des câbles d'alimentation fournis avec votre réfrigérateur congélateur. Le pontet de gauche (figure 10a) est destiné à fixer le câble 100-240 V CA. Celui de droite correspond au câble 12/24 V CC (figure 10b).

Figure 10a

Figure 10b



Pour installer les câbles dans les pontets de fixation :

- Branchez le câble d'alimentation dans le connecteur correspondant (voir section 6.4).
- En commençant par l'extrémité la plus proche du connecteur, enfoncez le câble dans les pontets selon un mouvement circulaire. Ce mouvement circulaire permet de faire glisser le câble sous les pontets.

REMARQUE : *Installez et retirez les câbles avec beaucoup de précaution pour éviter d'endommager le corps du réfrigérateur congélateur ou les câbles d'alimentation.*

AVERTISSEMENT : *Ces pontets de fixation sont aux dimensions exactes des câbles d'alimentation fournis avec votre réfrigérateur congélateur. ARB déconseille d'insérer d'autres câbles dans ces pontets de fixation.*

6.6 Recommandations en matière d'économie d'énergie

Pour optimiser les performances de votre réfrigérateur congélateur ARB, suivez les conseils suivants :

- Placez le réfrigérateur congélateur dans un endroit bien aéré à l'abri de la lumière directe du soleil.
- Essayez d'ouvrir la porte du réfrigérateur le moins souvent possible.
- Ne laissez pas le couvercle ouvert plus longtemps que nécessaire.
- Ne sélectionnez pas inutilement une température cible trop basse.
- Dégivrez le réfrigérateur dès que de la glace commence se former.

6.7 Retrait du couvercle

Vous pouvez retirer et remettre en place le couvercle de votre réfrigérateur congélateur ARB. C'est facile et rapide !

Pour retirer le couvercle du réfrigérateur congélateur :

- Ouvrez le couvercle de façon à ce que son arête interne se désolidarise du coffre du réfrigérateur congélateur comme indiqué sur la figure 11a. La procédure d'ouverture du réfrigérateur congélateur est décrite dans la section 6.3.
- Saisissez fermement le couvercle avec les deux mains.
- Tirez le couvercle vers l'avant du réfrigérateur comme indiqué dans la figure 11b. Les broches des charnières se déboîtent et le couvercle peut être détaché du reste du réfrigérateur.

Figure 11a

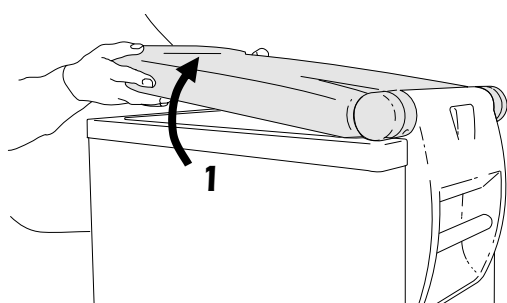
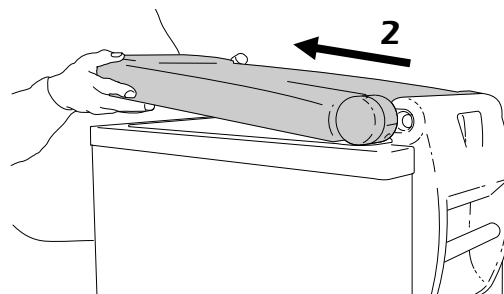


Figure 11b



ASTUCE : Si vous n'arrivez pas à retirer le couvercle, imprimez un léger mouvement latéral au couvercle tandis que vous le tirez vers l'avant. Vous pourrez ainsi déloger l'une des broches.

Pour remettre en place le couvercle du réfrigérateur congélateur :

- Placez le couvercle sur le dessus de l'appareil en alignant les broches des charnières sur les manchons comme indiqué sur la figure 11c. Le couvercle doit être légèrement incliné pour que l'arête interne se désolidarise du coffre du réfrigérateur congélateur.
- Poussez le couvercle vers l'arrière du coffre pour que les broches des charnières glissent dans les manchons comme indiqués sur la figure 11d.
- Les broches viennent s'emboîter dans les manchons avec un clic.
- Ouvrez et refermez le couvercle pour vérifier que les deux broches sont bien fixées.
- Fermez le loquet en suivant la procédure indiquée dans la section 6.3.

Figure 11c

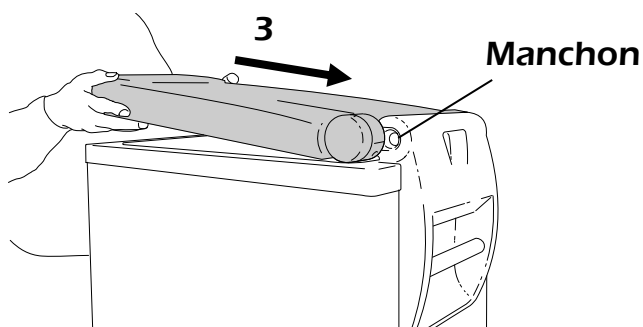
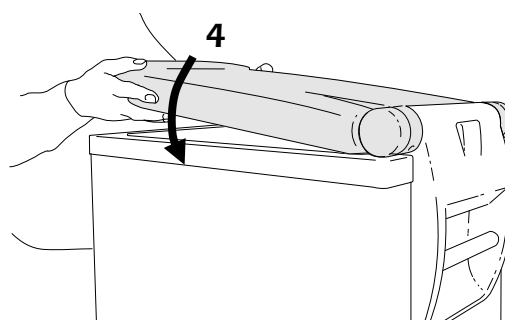


Figure 11d



6.8 Mise en marche ou arrêt du réfrigérateur congélateur

Pour mettre en marche votre réfrigérateur congélateur ARB :

Maintenez la touche  appuyée pendant deux à trois secondes.

- Lorsque le réfrigérateur congélateur est en marche, la DEL d'allumage s'allume en vert.
- La température actuelle à l'intérieur de l'appareil est affichée sur l'écran.






REMARQUE : La température actuelle affichée correspond à la température mesurée au centre de l'appareil. Dans d'autres emplacements à l'intérieur du réfrigérateur, la température peut être différente de celle affichée.

Pour arrêter le réfrigérateur congélateur :

- Maintenez la touche  appuyée pendant deux à trois secondes.
- Lorsque le réfrigérateur congélateur est arrêté, la DEL d'allumage et l'écran s'éteignent.

6.9 Réglage de la température cible

Pour régler la température cible de votre réfrigérateur congélateur ARB :




- Mettez le réfrigérateur en marche.
- Appuyez une fois sur la touche  pour afficher la température cible actuelle.
- Appuyez sur la touche  pour augmenter la température cible d'un degré.
- Appuyez sur la touche  pour diminuer la température cible d'un degré.
- Continuez d'appuyer sur la touche  ou  jusqu'à obtention de la température cible désirée.
- Après 5 à 6 secondes d'inactivité, l'écran clignote deux fois et affiche de nouveau la température cible actuelle.

REMARQUE : Lorsque la température cible est atteinte, le compresseur cesse de fonctionner et la DEL d'allumage devient orange.

6.10 Modification de l'unité de mesure de l'affichage (°C ou °F)

Votre réfrigérateur congélateur ARB peut afficher la température en degrés Celsius (°C) ou en degrés Fahrenheit (°F).

Pour modifier l'unité de température utilisée pour l'affichage :

- Mettez le réfrigérateur en marche.
- Appuyez deux fois sur la touche  pour afficher l'unité de température actuelle.
- Appuyez sur la touche  ou  pour passer de °C et °F et inversement.
- Après 5 à 6 secondes d'inactivité, l'écran clignote deux fois et affiche de nouveau la température cible actuelle.

6.11 Utilisation du dispositif de surveillance de la batterie

Votre réfrigérateur congélateur ARB est équipé d'un dispositif de surveillance de batterie qui contrôle le niveau de décharge de votre batterie. Ce dispositif de surveillance possède trois réglages : HIGH, MEDIUM et LOW. Le réglage HIGH permet de protéger la batterie au maximum pour éviter une décharge excessive. Le réglage LOW permet d'utiliser au maximum l'énergie stockée dans la batterie. Le tableau 1 indique les seuils de tension auxquels intervient le disjoncteur pour les trois réglages du dispositif de surveillance. Medium est le réglage fait en usine.

Si votre réfrigérateur congélateur peut fonctionner sans que vous ayez mis le contact de votre véhicule, le dispositif de surveillance de la batterie provoque l'arrêt de l'appareil dès que la tension fournie franchit le seuil minimum indiqué. Le réfrigérateur congélateur redémarre automatiquement lorsque la tension de redémarrage est atteinte.

REMARQUE : Lorsque le dispositif de surveillance de la batterie est activé, l'unité de réfrigération (notamment le compresseur) ne fonctionne pas. La DEL d'allumage ('power') sur le panneau de contrôle est OFF et la DEL de vérifiez ('check') clignote en ROUGE. L'unité de réfrigération ne redémarre que lorsque le niveau de tension de la batterie atteint le seuil de redémarrage indiqué dans le tableau 1.

Tableau 1




	MODE DU DISPOSITIF DE SURVEILLANCE		
	LOW	MED	HIGH
Tension d'interruption – 12 V CC	10,1 V	11,4 V	11,8 V
Tension de redémarrage – 12 V CC	11,1 V	12,2 V	12,6 V
Tension d'interruption – 24V CC	21,5 V	24,1 V	24,6 V
Tension de redémarrage – 24 V CC	23,0 V	25,3 V	26,2 V

Si votre réfrigérateur congélateur est branché à la batterie de démarrage sur un système 12/24 V CC, ARB recommande de régler le dispositif de surveillance de batterie sur HIGH/MED.

Si votre réfrigérateur congélateur est branché à une batterie auxiliaire sur un système 12/24 V CC, ARB recommande de régler le dispositif de surveillance de batterie sur LOW.

REMARQUE : ARB recommande de ne charger la batterie que lorsque le dispositif de surveillance a été déclenché. ARB recommande également de mettre hors tension tous les appareils électriques branchés sur la même source d'alimentation qui ne sont pas essentiels, jusqu'à ce que la batterie soit complètement chargée.

Pour modifier le niveau de protection de la batterie :

- Mettez le réfrigérateur en marche.
- Appuyez trois fois sur la touche  pour afficher le réglage actuel du dispositif de surveillance.
- Appuyez sur la touche  ou  pour sélectionner le niveau de protection High (HI), Medium (nEd) ou Low (Lo).
- Après 5 à 6 secondes d'inactivité, l'écran clignote deux fois et affiche de nouveau la température cible actuelle.



6.12 Utilisation du panier

Votre réfrigérateur congélateur ARB est livré avec un panier métallique réversible qui protège les parois intérieures de l'appareil. Vous pouvez l'installer en positionnant le côté le plus haut du panier contre l'avant du réfrigérateur comme indiqué sur la figure 12a. Vous pouvez ainsi ranger les objets encombrants en travers de la partie supérieure du réfrigérateur. Vous pouvez également placer le panier de façon à ce que son côté le plus haut se trouve au centre du coffre comme indiqué sur la figure 12b. Il sert ainsi de cloison entre le compartiment principal et le compartiment fraîcheur.

Figure 12a

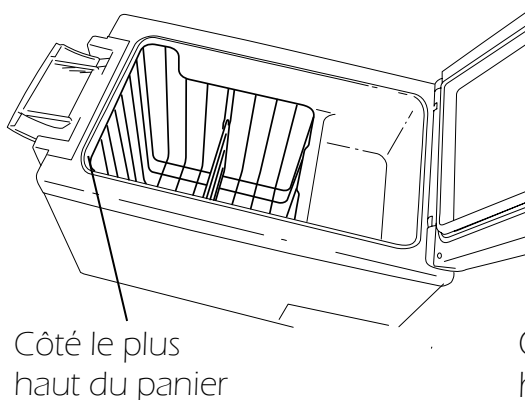
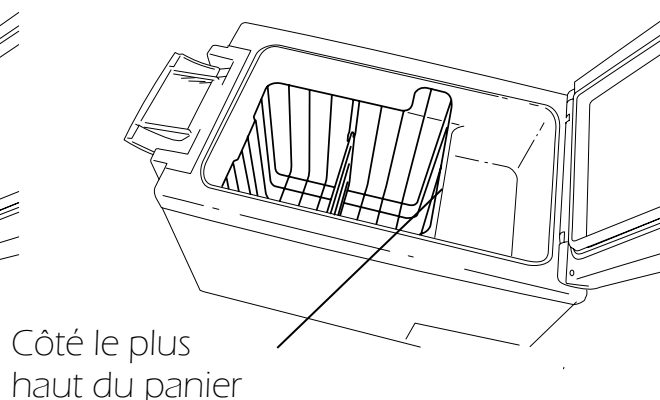


Figure 12b



Pour retirer le panier du coffre :

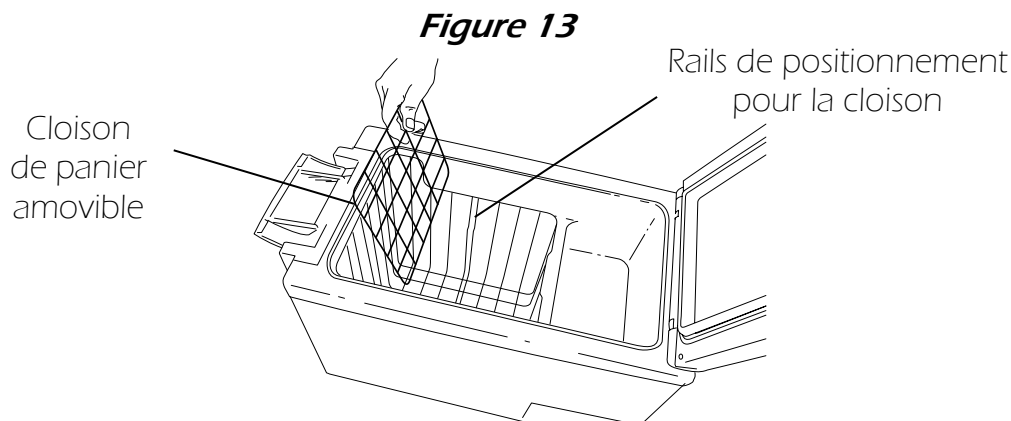
- Soulevez le panier à la verticale pour l'extraire du coffre du réfrigérateur congélateur. Certains modèles ont un panier fixe. Pour inverser paniers, retirez l'attache et le remplacer si panier est repositionné.

Pour réinstaller le panier dans le coffre :

- Faites glisser le panier dans le coffre du réfrigérateur congélateur. Le panier est correctement positionné lorsque son fond touche celui du coffre du réfrigérateur congélateur.

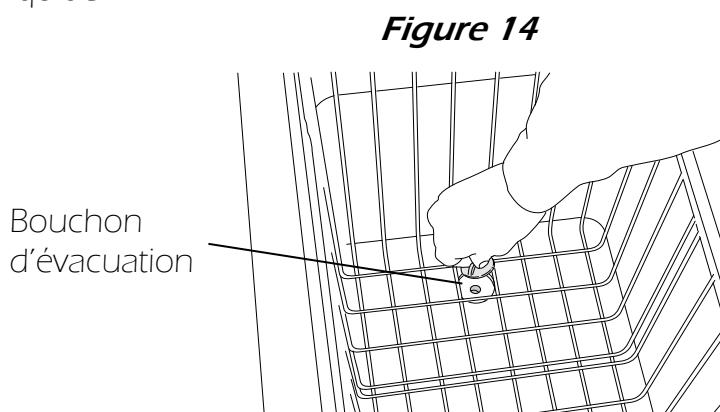
6.13 Cloison de panier

Votre réfrigérateur congélateur ARB est livré avec une cloison amovible de panier. Vous pouvez facilement la retirer en la soulevant à la verticale comme indiqué sur la figure 13. Pour la remettre en place, veillez à bien l'introduire dans les rails situés de chaque côté du panier métallique. Pour les modèles avec un diviseur fixe, le diviseur ne doit pas être détachée de la nacelle.



6.14 Bouchon d'évacuation

Votre réfrigérateur congélateur ARB est doté d'un bouchon d'évacuation amovible situé à la base de l'appareil comme indiqué sur la figure 14. Il peut être retiré pour permettre l'évacuation de liquide.



Pour retirer le bouchon d'évacuation :

- Ouvrez le couvercle du réfrigérateur congélateur.
- Saisissez le bouchon d'évacuation avec les doigts.
- Soulevez doucement le bouchon d'évacuation pour l'extraire du fond de l'appareil.

Pour remettre en place le bouchon d'évacuation :

- Ouvrez le couvercle du réfrigérateur congélateur.
- Placez l'extrémité du bouchon d'évacuation dans la canalisation.
- Appuyez doucement sur le bouchon d'évacuation pour l'introduire dans la canalisation. Le bouchon d'évacuation est correctement mis lorsque ses rebords sont entièrement en contact avec le fond de l'appareil.

REMARQUE : Il faut remettre en place le bouchon d'évacuation avant de faire fonctionner le réfrigérateur congélateur pendant un laps de temps prolongé. Sinon, la performance de l'appareil sera réduite.

6.15 Dégivrage du réfrigérateur congélateur

De la glace peut parfois se former à l'intérieur de votre réfrigérateur congélateur ARB. Le volume intérieur de l'appareil et son efficacité thermique peuvent s'en trouver réduits. ARB recommande de dégivrer régulièrement le réfrigérateur congélateur.

Pour dégivrer votre réfrigérateur congélateur ARB :

- Videz le réfrigérateur congélateur de tout ce qu'il contient.
- Arrêtez le réfrigérateur congélateur.
- Ouvrez le couvercle : l'air à température ambiante fera fondre la glace.
- Retirez le bouchon d'évacuation pour permettre à l'eau de s'écouler.
- Essuyez l'intérieur du coffre avec un chiffon doux pour absorber l'eau qui pourrait rester.

AVERTISSEMENT : N'utilisez jamais d'objets durs ou pointus pour dégivrer le réfrigérateur congélateur ou pour détacher des objets pris dans la glace.

6.16 Remplacement du fusible du coffre

Votre réfrigérateur congélateur est équipé d'un fusible situé à l'arrière du coffre.

ATTENTION ! Débranchez le réfrigérateur congélateur avant de remplacer le fusible du coffre.

Pour remplacer le fusible du coffre :

- Débranchez les cordons CA et CC des connecteurs.
- Retirez la cartouche fusible située sur le panneau arrière comme indiqué sur la figure 15a. Vous aurez peut-être besoin d'un petit tournevis plat et fin pour extraire la cartouche de son logement.
- Remplacez le fusible défectueux pas un fusible neuf de même calibre. Il s'agit d'un fusible 4A – (F4L250V) (voir figure 15b).
- Remettez la cartouche fusible dans son logement.

Figure 15a

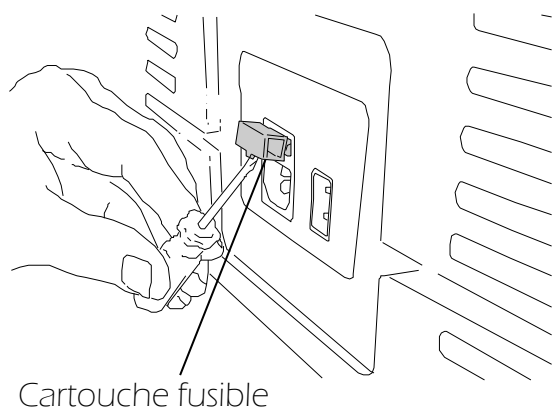
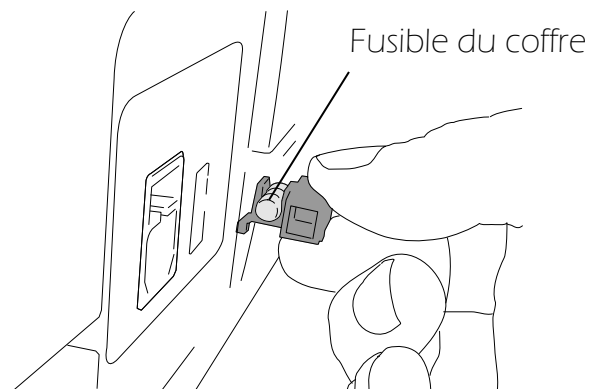


Figure 15b



6.17 Remplacement du fusible du connecteur (12/24 V)

Votre réfrigérateur congélateur est équipé d'un fusible situé dans le connecteur 12/24 V CC.

ATTENTION! Débranchez le réfrigérateur congélateur avant de remplacer le fusible du connecteur.

Pour remplacer le fusible du connecteur :

- Détachez le logement supérieur du corps du connecteur sur la figure 16a.
- Remplacez le fusible défectueux pas un fusible neuf de même calibre sur la figure 16b. Il s'agit d'un fusible 3AG 10 Amp.
- Pour remonter le connecteur, suivez la procédure décrite ci-dessus dans l'ordre inverse.

Figure 16a

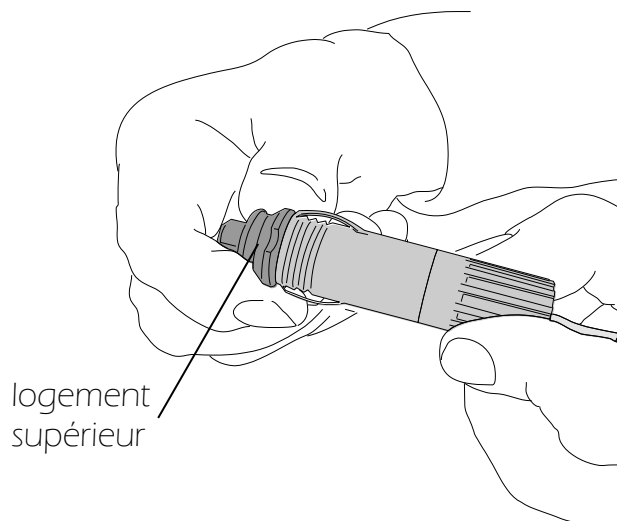
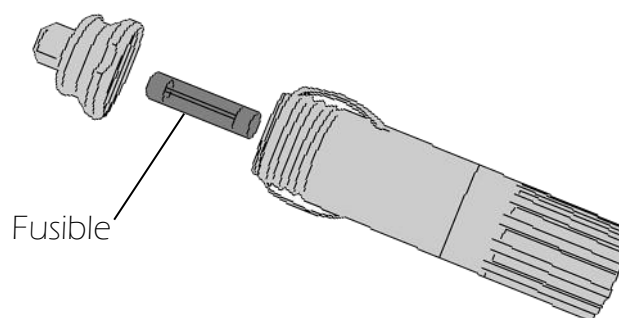


Figure 16b



6.18 Remplacement de l'ampoule

Votre réfrigérateur congélateur est équipé d'une ampoule DEL à longue durée de vie et faible consommation. Dans des conditions de fonctionnement normales, il ne devrait pas être nécessaire de la remplacer. Pour le cas, peu probable, où vous devriez remplacer l'ampoule, suivez la procédure décrite ci-dessous.

ATTENTION ! Débranchez le réfrigérateur congélateur avant de remplacer l'ampoule.

Pour remplacer l'ampoule :

- Si le côté le plus haut du panier se trouve contre l'avant du réfrigérateur, retirez le panier pour accéder au logement de l'ampoule. Pour plus d'informations, consultez la section 6.12.
- Retirez le logement d'ampoule transparent encastré dans le revêtement intérieur du réfrigérateur congélateur comme indiqué sur la figure 17a. Pour ce faire, placez vos doigts sous le rebord du logement d'ampoule et extrayez-le du revêtement intérieur du réfrigérateur.
- Remplacez l'ampoule défectueuse par une nouvelle ampoule de même caractéristique comme indiqué sur la figure 17b. Vous pouvez vous procurer des ampoules de rechange auprès du service après-vente de réfrigérateurs congélateurs ARB le plus proche.
- Vérifiez que les DEL de l'ampoule se trouvent bien du côté de la face transparente du logement.
- Vérifiez que l'éclairage fonctionne.
- Réencastrez le logement d'ampoule dans le coffre du réfrigérateur congélateur.

Figure 17a

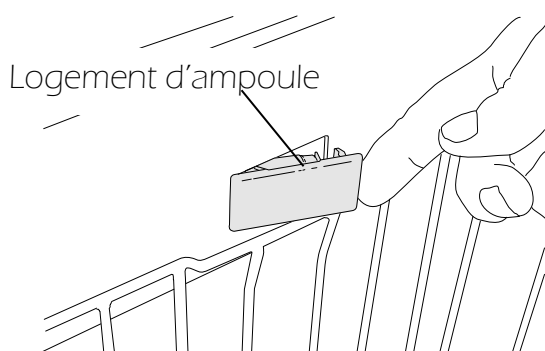
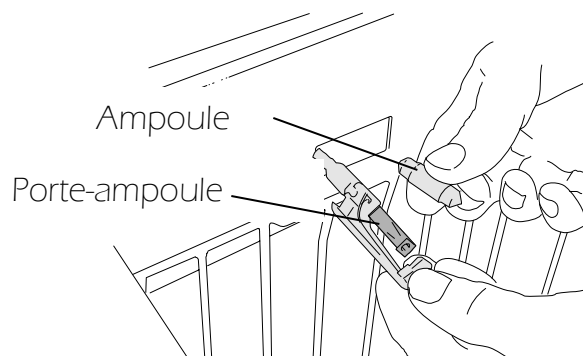


Figure 17b



6.19 Stockage du réfrigérateur congélateur

Si vous stockez le réfrigérateur congélateur ARB pour un laps de temps prolongé, suivez les conseils suivants :


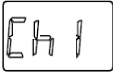


- Arrêtez le réfrigérateur congélateur et débranchez-le.
- Retirez toutes les garnitures, excepté le panier et sa cloison.
- Laissez le couvercle entrouvert pour permettre à l'air de circuler dans le coffre.

ASTUCE : Pour garder le couvercle ouvert, maintenez le dans cette position et basculer la poignée d'ouverture au-dessus en le rabaisant doucement. Pour obtenir une meilleure ventilation, enlever le bouchon de vidange.

6.20 Changement de canal de transmission

Votre réfrigérateur ARB peut être utilisé avec l'afficheur sans fil pour réfrigérateur ARB (vendu séparément), lequel dispose de 4 canaux de transmission.

Pour changer de canal de transmission :


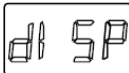
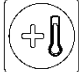

- Mettez le réfrigérateur en marche.
- Appuyez quatre fois sur  pour afficher le canal de transmission actuel (par exemple ).
- Appuyez sur  ou  pour sélectionner Ch1, Ch2, Ch3 ou Ch4.
- Après 5 à 6 secondes d'inactivité, l'afficheur clignote et revient à l'affichage de la température actuelle du bac.

Consultez les instructions fournies avec l'afficheur sans fil pour réfrigérateur ARB pour plus d'informations sur son installation et son utilisation.

6.21 Modification de la luminosité du panneau de commande

La luminosité de l'afficheur du panneau de commande sur votre réfrigérateur ARB est réglable.


Pour modifier la luminosité de l'afficheur du panneau de commande :

- Mettez le réfrigérateur en marche.
- Appuyez cinq fois sur  pour afficher .
- Appuyez sur  ou  pour sélectionner l'un des deux niveaux de luminosité.
- Après 5 à 6 secondes d'inactivité, l'afficheur clignote et revient à l'affichage de la température actuelle du bac.

6.22 Affichage de la tension d'alimentation

Votre réfrigérateur ARB peut afficher la tension qui l'alimente.

Pour afficher la tension d'alimentation :

- Mettez le réfrigérateur en marche.
- Appuyez sur  pour afficher la tension d'alimentation.

Lorsqu'il est branché à une alimentation CC, la tension d'alimentation s'affichera.
Lorsqu'il est branché à une alimentation CA, les caractères « AC » s'afficheront.

7 NETTOYAGE ET ENTRETIEN

Nettoyez l'intérieur et l'extérieur du réfrigérateur congélateur avec un chiffon humide et un détergent ménager doux non abrasif dilué dans de l'eau chaude.

Si votre réfrigérateur congélateur est installé dans un milieu exposé à la poussière, ARB recommande de nettoyer régulièrement les surfaces extérieures pour éviter l'accumulation de saleté et de particules. En particulier, nettoyez souvent les charnières et le caisson du moteur. Pour nettoyer le caisson du moteur, ARB recommande d'installer le réfrigérateur congélateur dans un endroit bien aéré et d'utiliser un aspirateur ou un léger jet d'air comprimé.

AVERTISSEMENT : Ne retirez le caisson du moteur sous aucun prétexte.

Avant de nettoyer votre réfrigérateur congélateur, prenez en considération les points suivants :

- Mettez toujours l'appareil hors tension et débranchez tous les connecteurs avant de le nettoyer ou de le réparer.
- N'utilisez jamais d'objets durs ou de produits abrasifs pour nettoyer le réfrigérateur congélateur.
- N'utilisez pas de brosses, d'éponges grattoirs ni d'objets durs ou pointus pour dégivrer le réfrigérateur congélateur.
- Ne nettoyez pas le réfrigérateur congélateur à l'eau courante ni avec un nettoyeur haute pression.

8 ÉLIMINATION

Dans la mesure du possible, jetez l'emballage dans le bac de recyclage approprié.

Si vous souhaitez vous débarrasser de votre réfrigérateur congélateur, contactez votre centre de recyclage local ou un revendeur de réfrigérateurs congélateurs ARB agréé. Ils seront à même de vous expliquer comment l'éliminer dans le respect de la législation en cours.

9 DYSFONCTIONNEMENTS

Utilisez la liste de contrôle suivante pour déterminer la cause du problème auquel vous êtes confronté. Si, malgré ces contrôles, vous ne parvenez pas à identifier la cause du dysfonctionnement, contactez le service après-vente de réfrigérateurs congélateurs ARB le plus proche.

1. Le réfrigérateur congélateur ne fonctionne plus. La DEL d'allumage ne s'allume pas.

1.1 Les connexions des cordons électriques côté réfrigérateur ou côté prise sont peut-être débranchées ou encrassées.

- Vérifiez que les connexions des cordons électriques ne sont pas débranchées ou mal enfoncées.
- Vérifiez que les contacts ne sont pas encrassés. Cela empêche une bonne alimentation de l'appareil.

1.2 Le fusible situé dans le connecteur du câble 12/24 V CC a peut-être sauté.

- Vérifiez le fusible situé dans le connecteur du câble 12/24 V CC et remplacez-le si nécessaire (voir section 6.17).

1.3 Le fusible du coffre a peut-être sauté.

- Vérifiez le fusible du coffre et remplacez-le si nécessaire (voir section 6.16).

2. Le compresseur du réfrigérateur congélateur ne fonctionne plus. La DEL d'allumage est ORANGE.

2.1 Le réfrigérateur congélateur a atteint la température cible désirée.

- Le réfrigérateur congélateur fonctionne correctement. Aucune réparation n'est nécessaire.

3. Le réfrigérateur congélateur ne fonctionne plus. La DEL d'allumage est OFF et la DEL de vérifiez ('check') clignote en ROUGE.

3.1 Le système interne de protection de la batterie a fait disjoncter le réfrigérateur congélateur car la tension de la batterie est trop basse.

- Le réfrigérateur congélateur redémarre automatiquement lorsque la tension de redémarrage est atteinte. Pour connaître les tensions d'interruption et de redémarrage, consultez la section 6.11.

4. Le réfrigérateur congélateur ne refroidit pas ou a cessé de fonctionner. La DEL d'allumage est VERTE.

4.1 C'est peut-être dû à un défaut interne du réfrigérateur congélateur.

- Seul un agent d'un service après-vente de réfrigérateurs congélateurs ARB agréé peut y remédier.

5. Le panneau de contrôle affiche un message d'erreur (par exemple, ERR1, ERR2, ERR3) et le réfrigérateur congélateur ne refroidit pas.

5.1 Le réfrigérateur congélateur a peut-être disjoncté suite à un dysfonctionnement interne.

- Seul un agent d'un service après-vente de réfrigérateurs congélateurs ARB agréé peut y remédier.

6. Lorsqu'il est branché sur le système de câblage d'un véhicule et que ce véhicule est en marche, vous remarquez parfois des secousses ou un arrêt du réfrigérateur congélateur.

6.1 Il y a peut-être une perte de tension dans le câblage de votre véhicule.

- Pour vous en assurer, mesurez la tension à l'extrémité du cordon électrique du réfrigérateur congélateur. Si elle est inférieure à 11.4volts (12VDC)/24.1volts (24VDC), contrôlez le système de câblage du véhicule.
- Si nécessaire, améliorer le circuit de câblage de votre réfrigérateur congélateur à l'aide des informations contenues dans la section 6.4 .

7. Le réfrigérateur congélateur a tendance à s'arrêter et redémarrer ou à fonctionner de manière anormale.

7.1 Le système interne de protection de la batterie a peut-être fait disjoncter le réfrigérateur congélateur car la tension de la batterie est trop basse.

- Vérifiez que la tension fournie n'a pas chuté en-dessous du seuil indiqué dans la section 6.1.1. La tension doit être mesurée au niveau du connecteur du réfrigérateur car il y a généralement une perte d'un ou deux volts entre la source d'alimentation (batterie) et le connecteur du réfrigérateur.
- Il faudra peut-être remplacer la batterie du véhicule ou les câbles qui relient le réfrigérateur congélateur. Pour plus d'informations sur le câblage requis, consultez la section 6.4.

8. Le réfrigérateur congélateur met trop longtemps à se mettre en marche et ne refroidit pas correctement.

8.1 Le bon fonctionnement de votre réfrigérateur congélateur, surtout lorsque la température ambiante est élevée, dépend beaucoup d'une bonne circulation de l'air autour des fentes de ventilation de l'appareil.

- Vérifiez qu'aucune fente de ventilation n'est obstruée et qu'il y a suffisamment d'espace pour permettre une bonne circulation de l'air autour du réfrigérateur congélateur. Pour plus d'informations, consultez la section 5.1.

9. Lorsque le réfrigérateur congélateur est ouvert, l'éclairage DEL du coffre ne s'allume pas.

9.1 Le réfrigérateur congélateur n'est peut-être pas branché à une prise adéquate.

- Vérifiez le branchement entre la source d'alimentation et le réfrigérateur congélateur.

9.2 L'ampoule DEL a peut-être grillé.

- Vérifiez l'ampoule et remplacez-la, si nécessaire. Pour plus d'informations, consultez la section 6.18.

10 GARANTIE

ARB garantit les produits ARB contre les défauts de fabrication et de matériel pendant la période de garantie. Si des défauts de fabrication ou de matériel se produisent durant la période de garantie, ARB remplacera ou réparera le produit défectueux.

Les avantages conférés au client dans le cadre de cette garantie s'ajoutent aux autres droits et recours du client en vertu d'une loi en relation aux biens ou services auxquels se rapporte la garantie.

1) Dans la présente garantie :

- **ARB** désigne la société ARB Corporation Limited (ABN 31 006 708 756) de 42-44 Garden St, Kilsyth Victoria 3137, Australie
- **Point de vente ARB** désigne un point de vente qui a été autorisé par ARB à vendre et à installer des produits ARB
- **Produit ARB** désigne les produits fabriqués par ARB ou dont ARB est le fournisseur exclusif
- **Information produit** désigne les informations relatives au produit ARB concerné qui peuvent se trouver dans la documentation fournie avec les produits ARB, le manuel du propriétaire, le manuel d'utilisation, le manuel d'entretien ou manuel du fabricant ou encore les étiquettes apposées sur le produit ARB
- **Période de garantie**, pour ce qui concerne un produit ARB, désigne la durée de validité de la présente garantie contre les défauts et qui est définie dans les tableaux du chapitre 8.

2) Pour pouvoir bénéficier de la garantie, le client doit :

- a) Avoir installé le produit ARB conformément à l'information produit
- b) Effectuer les opérations d'entretien et de maintenance normales du produit ARB, y compris tout ce qui est exigé par l'information produit
- c) Fournir une preuve d'achat du produit ARB
- d) Déposer la réclamation pendant la période de garantie

2) La garantie ne s'appliquera pas dans les cas où le défaut est causé par :

- a) Une utilisation inhabituelle, inadaptée, négligente ou incorrecte du produit ARB
- b) Une installation incorrecte du produit ARB par un tiers autre qu'à un point de vente ARB
- c) Une charge du produit ARB avec un poids supérieur à celui indiqué par l'information produit
- d) L'utilisation de composants non authentiques ARB dans ou avec le produit ARB
- e) L'utilisation sur des véhicules avec des modifications non approuvées dans l'information produit ou à un point de vente ARB au moment de l'installation
- f) Une utilisation en course ou compétition
- g) L'utilisation du produit ARB en dehors des exigences de l'information produit

3) Procédure de réclamation sous garantie par le client :

- a) Renvoyez le produit ARB au point de vente ARB le plus proche ou contactez ARB afin de convenir d'un rendez-vous pour amener un véhicule équipé du produit ARB à un point de vente ARB pour inspection. Adressez-vous aux coordonnées indiquées au point 6 ci-dessous si vous avez besoin d'informations supplémentaires à propos de votre point de vente local
- b) Apportez une preuve d'achat du produit ARB au point de vente ARB
- c) ARB examinera le produit ARB et vous informera si les conditions de la garantie ont été respectées

4) Lorsque ARB accepte la demande de garantie d'un client, ARB corrigera tout défaut de fabrication ou de matériel à ses frais.

5) Les frais engagés par le client pour demander la garantie sont à la charge du client.

6) Cette garantie est offerte par : ARB Corporation Limited
42-44 Garden Street Kilsyth VIC 3137, Australie
Téléphone : 03 9761 6622
Fax : 03 9721 9090
www.arb.com.au

7) La période au cours de laquelle un défaut dans les produits ARB doit apparaître pour que le client puisse demander la garantie est de 3 ans à compter de la date d'achat, à moins que :

- a) Le produit ARB sert à un usage commercial. Usage commercial signifie une utilisation dans l'industrie ou le commerce, y compris (sans limitation) l'utilisation dans l'industrie minière ou en tant que véhicule de location. Dans ce cas, la période de garantie est de 1 an ou de 20 000 km, la valeur la plus petite étant retenue, ou d'un tiers de la période ou de la distance spécifiée dans le tableau, à compter de la date d'achat.

8) La garantie contre les défauts contenue dans ce document remplace toute autre garantie contre les défauts ou la garantie volontaire accordée en relation avec les produits.

Nos produits sont fournis avec des garanties qui ne peuvent être exclues en vertu de la loi australienne de protection des consommateurs. Vous avez droit à un remplacement ou à un remboursement pour une défaillance majeure et à une compensation pour tout(e) autre perte ou dommage prévisible raisonnable. Vous avez aussi le droit à ce que les produits soient réparés ou remplacés si les marchandises ne sont pas de qualité acceptable et si la défaillance ne constitue pas une défaillance majeure.

11 CARACTÉRISTIQUES TECHNIQUES

Volume total – Litre (quarts)	35 (37)	47 (50)	60 (63)	78 (82)
Modèle	10801020	10801010	10801030	10801040
Catégorie	I	I	I	I
Classe climatique	N,T	N,T	N,T	N,T
Indice d'efficacité énergétique	A+	A+	A+	A+
Consommation d'énergie annuelle (kWh/an)	93	95	99	111
Tension d'alimentation (à l'exception de l'Amérique du nord)	12/24 V DC et 100-240 V AC			
Tension d'alimentation pour l'Amérique du nord	12/24 V DC et 120V AC ~ 60Hz			
Courant nominal				
- 12V DC	5.0 A	5.1 A	5.3 A	7.3 A
- 24V DC	2.5 A	2.8 A	3.0 A	3.5 A
- 100-240 VAC	0.8-0.4 A	1.0-0.6 A	1.0-0.5 A	1.2-0.6 A
- 120 VAC	0.75 A	0.9 A	1.0 A	1.1 A
Plage de températures	+10 °C à -8 °C (+50 °F à 0 °F)			
Température ambiante	+16 °C à +43 °C (+70 °F à +109 °F)			
Poids – Kg (livres)	20 (45)	22 (50)	24 (54)	27 (60)
Bruit [dbA]	50	50	50	50
Gaz réfrigérant - R134a – g (oz)	42 (1.48)	47 (1.66)	56 (1.98)	63 (2.22)
Dimensions externes – mm(in)– Figure 18a				
- L1	428 (16.9)	508 (20.0)	428 (16.9)	508 (20.0)
- La1	380 (15.0)	380 (15.0)	450 (17.7)	450 (17.7)
- P1	705 (27.8)	705 (27.8)	845 (33.3)	845 (33.3)
Dimensions internes – mm(in)– Figure 18b				
- L2	321 (12.6)	401 (15.8)	321 (12.6)	401 (15.8)
- L3	126 (5.0)	206 (8.1)	126 (5.0)	206 (8.1)
- La2	285 (11.2)	285 (11.2)	355 (14.0)	355 (14.0)
- P2	337 (13.3)	337 (13.3)	477 (18.8)	477 (18.8)
- P3	151 (6.0)	151 (6.0)	151 (6.0)	151 (6.0)

Remarque : La température maximale de refroidissement atteinte est de 50°C (122°F) au dessous de la température ambiante. Si la température ambiante dépasse 32 °C (90 °F), la température minimale ne peut pas être atteinte.

Figure 18a

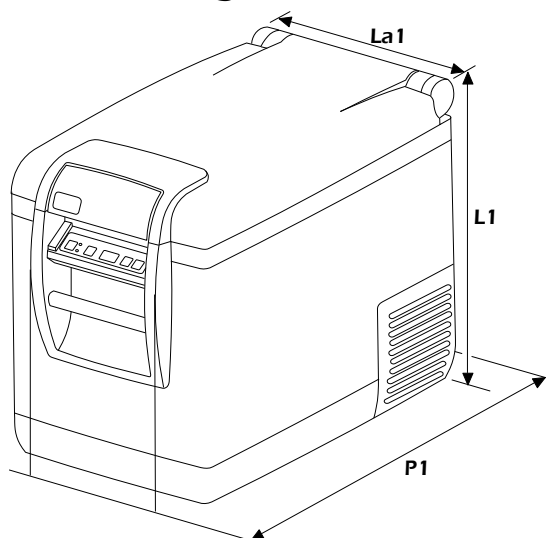
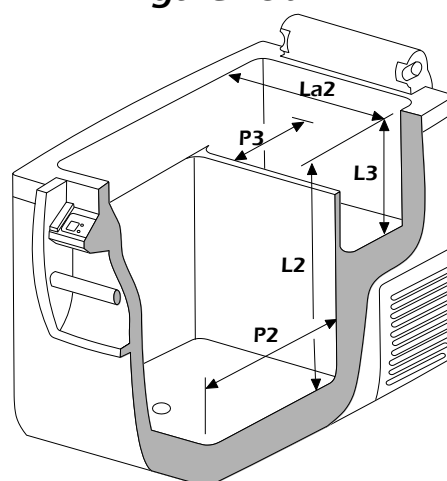


Figure 18b



L'appareil ne contient pas de CFC. Le circuit de réfrigération contient du R134a. Toute intervention ou recharge de gaz réfrigérant doit être faite par un frigoriste agréé.

Leggere con attenzione questa guida all'uso e alla manutenzione prima di accendere il frigorifero/congelatore ARB per la prima volta. Conservare inoltre in un posto sicuro la presente guida, assieme alla garanzia, alla guida di manutenzione e a una copia della ricevuta.

INDICE

1	INTRODUZIONE	114
2	VOLUME DI FORNITURA	114
3	INDICAZIONI DI SICUREZZA	115
	3.1 Sicurezza generale.....	115
	3.2 Uso in sicurezza del frigorifero/congelatore.....	115
4	INTRODUZIONE AL FRIGORIFERO/ CONGELATORE ARB	116
5	INSTALLAZIONE	117
	5.1 Informazioni generali relative all'installazione	117
	5.2 Installazione in un veicolo.....	118
	5.2.1 Montaggio permanente.....	118
	5.2.2 Montaggio provvisorio	118
6	USO	120
	6.1 Prima dell'uso.....	120
	6.2 Trasporto del frigorifero/congelatore	120
	6.3 Apertura del frigorifero/congelatore	120
	6.4 Collegamento del frigorifero/congelatore	122
	6.4.1 Collegamento a 12/24 V CC.....	122
	6.4.2 Requisiti elettrici 12/24 V CC.....	122
	6.4.3 Presa da 12/24 V CC.....	123
	6.4.4 Connessione a 100–240 V CA.....	124
	6.4.5 Connessione a un generatore a motore.....	124
	6.5 Fermacavo	125
	6.6 Consiglio per il risparmio energetico.....	125
	6.7 Rimozione del coperchio	126
	6.8 Accensione e spegnimento del frigorifero/congelatore	127
	6.9 Impostazione della temperatura desiderata nel vano frigo	127
	6.10 Commutazione da °C a °F.....	127
	6.11 Indicazione dello stato della batteria	128
	6.12 Il cestello	129
	6.13 Divisore del cestello.....	130
	6.14 Tappo di scarico	130
	6.15 Sbrinamento del frigorifero/congelatore	131
	6.16 Sostituzione del fusibile del frigo.....	131
	6.17 Sostituzione del fusibile della spina (12/24 V).....	132
	6.18 Sostituzione della lampadina.....	133
	6.19 Conservazione del frigorifero/congelatore	133
	6.20 Cambio del canale di trasmissione	134
	6.21 Modifica della luminosità del quadro comandi.....	134
	6.22 Visualizzazione della tensione di alimentazione	134
7	PULIZIA E MANUTENZIONE	135
8	SMALTIMENTO	135
9	ELIMINAZIONE DEI GUASTI	136
10	GARANZIA	138
11	SPECIFICHE TECNICHE	139

1 INTRODUZIONE

Ci congratuliamo per l'acquisto di questo frigorifero/congelatore ARB. Il suo Frigo/Freezer ARB è stato specificatamente disegnato per l'utilizzo in condizioni impegnative di fuoristrada ed è la miglior scelta per raffreddare velocemente cibi e bevande. Grazie alle istruzioni contenute nel presente documento, è possibile ottenere dal frigorifero/congelatore prestazioni eccellenti e la massima affidabilità.

Il frigorifero/congelatore ARB è progettato per il funzionamento con un'alimentazione da 12 V CC o 24 V CC da un veicolo, un'imbarcazione o una roulotte. Grazie all'inverter incorporato, è possibile metterlo in funzione anche da un'alimentazione elettrica di 100-240 V CA.

ATTENZIONE: qualora si intenda conservare medicinali, controllare che l'apparecchio disponga di una capacità di raffreddamento adeguata.

2 VOLUME DI FORNITURA

Il frigorifero/congelatore ARB è stato consegnato assieme ai sottoelencati articoli. Qualora questi non dovessero essere inclusi nella confezione del vostro frigorifero/congelatore, contattare il rivenditore locale.

ARTICOLO	QUANTITÀ
<i>Frigorifero/congelatore ARB</i>	<i>1</i>
<i>Cestello reversibile</i>	<i>1</i>
<i>Divisore del cestello</i>	<i>1</i>
<i>Cavo di alimentazione da 12/24 V</i>	<i>1</i>
<i>Cavo di alimentazione da 100-240 V</i>	<i>1</i>
<i>Guida all'uso e alla manutenzione del frigorifero/congelatore ARB</i>	<i>1</i>
<i>Depliant di garanzia e di manutenzione del frigorifero/congelatore ARB</i>	<i>1</i>

3 INDICAZIONI DI SICUREZZA

3.1 Sicurezza generale

ARB consiglia di prendere nota delle seguenti indicazioni generali di sicurezza per garantire la sicurezza di tutti coloro che utilizzeranno il frigorifero/congelatore.

- Applicare sempre al frigorifero/congelatore la tensione adeguata, assicurandosi che anche la polarità sia corretta.
- Non collegare il frigorifero/congelatore a un caricabatteria, un convertitore CA/CC o un raddrizzatore.
- Scollegare il frigorifero/congelatore dalla batteria prima di usare un caricabatteria ad alta velocità.
- Non usare materiali affilati, abrasivi o corrosivi per pulire o sbrinare il frigorifero/congelatore.
- Prestare attenzione ai bambini, affinché non giochino con il frigorifero/ congelatore.
- L'uso di questo dispositivo non è adatto a persone (compresi i bambini) con ridotte capacità fisiche, sensoriali o mentali e persone che manchino di esperienza e conoscenza, a meno che esse siano soggette alla supervisione da parte di una persona per loro responsabile, oppure che vengano loro impartite istruzioni relative all'utilizzo dell'apparecchio.
- Se il cavo di alimentazione è danneggiato, sostituirlo prima di utilizzare il frigorifero/congelatore.
- Prima di effettuare interventi di pulizia o manutenzione, scollegare il frigorifero/ congelatore da qualsiasi tipo di alimentazione.
- Non conservare liquidi infiammabili o gas all'interno del frigorifero/congelatore o nelle sue vicinanze.
- Non aprire o manomettere il circuito refrigerante.
- Non rimuovere o modificare nessun componente elettrico.
- Non conservare o trasportare materiali caustici o a base di solventi all'interno del frigorifero/congelatore.
- Non usare il frigorifero/congelatore ARB se sono presenti segni evidenti di danneggiamenti.
- La manutenzione del frigorifero/congelatore deve essere eseguita solo da un agente di manutenzione autorizzato ARB.
- Non stivare all'interno sostanze esplosive come bombolette spray che contengono propellenti infiammabili.
- Questo prodotto è da intendersi per utilizzo domestico o simile come ad esempio:
 - area ristoro del personale in negozi, uffici e altri luoghi di lavoro.
 - Zone per i clienti di Hotel, Motel, B&B, Agriturismo e altri luoghi di residenze turistiche.
 - Catering e similari.

3.2 Uso in sicurezza del frigorifero/congelatore

Per un uso in sicurezza del frigorifero/congelatore, ARB consiglia di prendere nota delle seguenti indicazioni generali di sicurezza.

- Per prevenire un surriscaldamento, assicurarsi che la zona circostante al frigorifero/ congelatore sia sufficientemente ventilata. Per ulteriori dettagli, consultare il capitolo 5.1.
- Non toccare con le mani bagnate la copertura interna in metallo del frigorifero/congelatore.
- Non posizionare il frigorifero/congelatore nelle vicinanze di fiamme vive o altre fonti di calore (riscaldatori, fuochi da campeggio, forni a gas, luce diretta del sole, ecc.).
- Non riempire il vano del frigorifero/congelatore con ghiaccio o liquidi.
- Non posizionare dispositivi elettrici all'interno del frigorifero/congelatore.
- Proteggere il frigorifero/congelatore dalla pioggia e dall'umidità.
- Non usare il frigorifero/congelatore se si sospetta che il sistema elettrico sia stato esposto all'acqua.
- Non usare il frigorifero/congelatore se è stato immerso nell'acqua.

4 INTRODUZIONE AL FRIGORIFERO/ CONGELATORE ARB

I componenti principali del frigorifero/congelatore ARB sono raffigurati di seguito, nelle figure 1–4.

Figura 1: parte anteriore del frigorifero

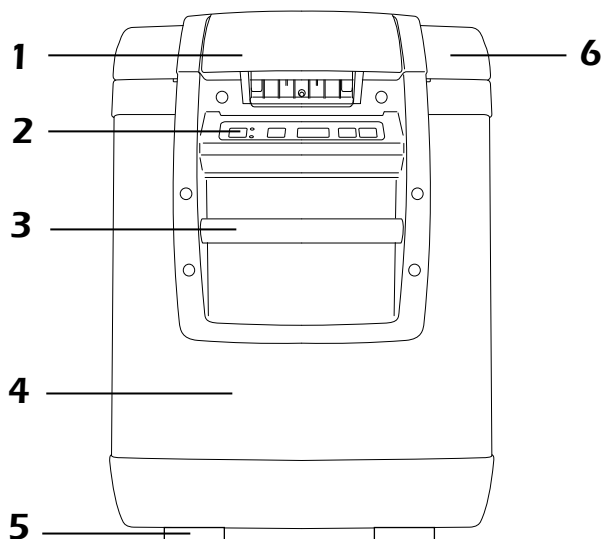


Figura 2: retro del frigorifero

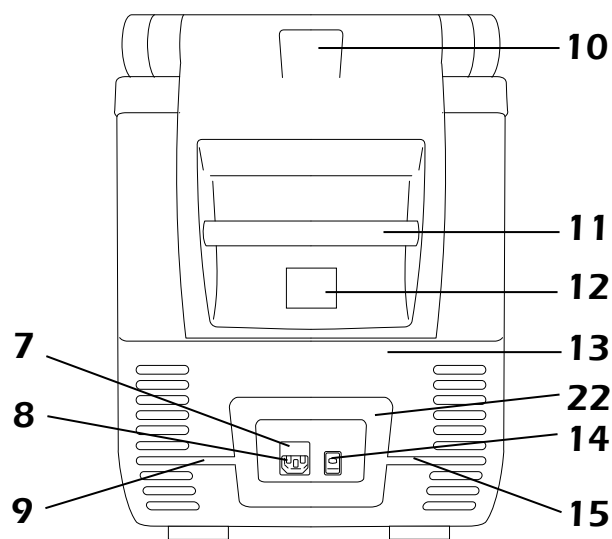
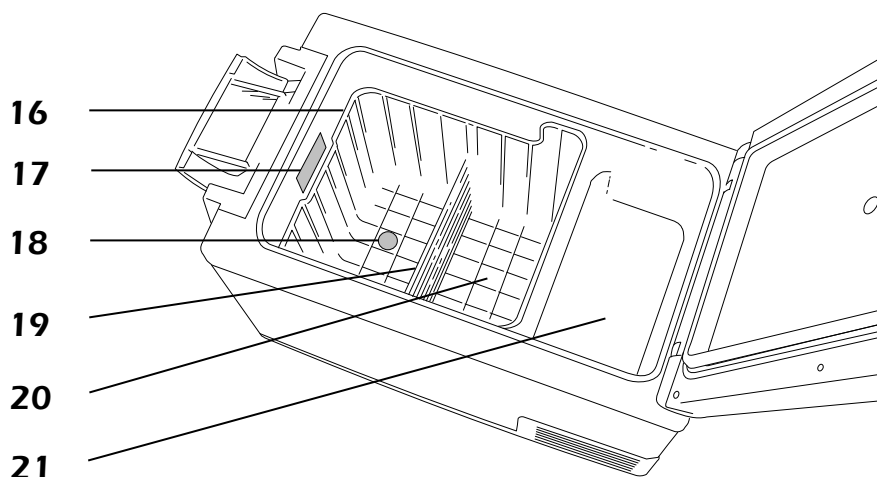


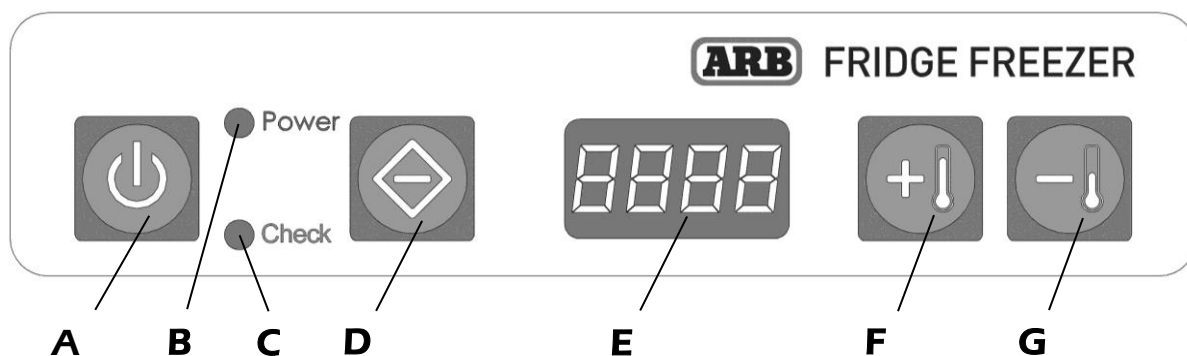
Figura 3: vano interno



- | | |
|---|---|
| 1. Chiusura del coperchio | 12. Targhetta di conformità e numero di serie |
| 2. Pannello di controllo | 13. Alloggiamento del motore |
| 3. Maniglia anteriore | 14. Presa da 12/24 V CC |
| 4. Vano in acciaio zincato verniciato a polvere | 15. Fermacavo 12/24 V CC |
| 5. Piedini in gomma x 4 | 16. Cestello reversibile |
| 6. Coperchio | 17. Luce interna vano e LED |
| 7. Fusibile del frigo | 18. Tappo di scarico |
| 8. Presa da 100–240 V CA | 19. Divisore del cestello |
| 9. Fermacavo 100–240 V CA | 20. Scompartimento principale di raffreddamento |
| 10. Fermo del coperchio | 21. Scompartimento di raffreddamento latticini/frutta |
| 11. Maniglia posteriore | 22. Connettore per trasmettitore wireless |

Lo scompartimento di raffreddamento latticini/frutta del frigorifero/congelatore ARB è stato progettato per mantenere una temperatura superiore allo scompartimento principale di raffreddamento. Risulta così essere il posto perfetto dove riporre prodotti quali latticini, frutta, verdura e cioccolato.

Figura 4: pannello di controllo



- A. Pulsante di accensione ON/OFF
- B. LED indicatore del funzionamento*
- C. LED indicatore di Controllare ('check')
- D. Pulsante di funzionamento
- E. Display digitale della temperatura
- F. Pulsante per aumentare la temperatura
(modifica l'impostazione aumentandola)
- G. Pulsante per diminuire la temperatura
(modifica l'impostazione diminuendola)

* Il LED di funzionamento è verde quando il compressore è in funzione. Il LED di funzionamento è arancione quando il compressore non è in funzione (cioè quando il frigorifero/congelatore ha raggiunto la temperatura impostata).

5 INSTALLAZIONE

5.1 Informazioni generali relative all'installazione

Al momento della scelta del luogo dove installare il frigorifero/congelatore, si prega di considerare i seguenti punti.

- Assicurarsi che venga mantenuta una distanza utile minima di 50 mm su tutti i lati del frigorifero/congelatore.
- Assicurarsi che il frigorifero/congelatore sia fissato a punti di ancoraggio sicuri, sia che l'installazione sia permanente o provvisoria.
- La posizione di montaggio ideale del frigorifero/congelatore è su una superficie piana e orizzontale. Nel caso in cui il frigorifero/congelatore sia soggetto a un'inclinazione laterale (ad es. a bordo di un'imbarcazione), è in grado di sostenere inclinazioni di 30°.
- Non posizionare il frigorifero/congelatore accanto a oggetti affilati o caldi.
- Non posizionare il frigorifero/congelatore accanto a oggetti liberi che, cadendoci sopra, ne pregiudicherebbero il funzionamento.
- Non mettere mai in funzione il frigorifero/congelatore vicino a liquidi o vapori infiammabili.
- Evitare di ruotare/immagazzinare il frigo freezer su un fianco o lato.

5.2 Installazione in un veicolo

5.2.1 Montaggio permanente

La base del frigorifero/congelatore ARB presenta quattro inserti filettati che possono venire usati per il montaggio permanente del frigo su una base solida o sul carrello del frigorifero. Gli inserti filettati sono posti al centro di ogni piedino in gomma. ARB consiglia di adottare questo metodo di montaggio se si desidera montare permanentemente il frigorifero/ congelatore. Se il frigorifero/congelatore viene rimosso regolarmente, consultare il capitolo 5.2.2 (montaggio provvisorio).

Per montare permanentemente il frigorifero/congelatore:

- Posizionare il frigorifero/congelatore sulla superficie di montaggio, nel luogo desiderato e contrassegnare il profilo esterno del mobile.
- Rimuovere il frigorifero/congelatore e contrassegnare il centro del frigo. Il centro è indicato come punto C in figura 5a.
- Contrassegnare e perforare quattro fori da 6,5 mm sulla superficie di montaggio, come da disegno in figura 5a.
- Per usare il tappo di scarico, contrassegnare e perforare un foro da 13 mm sulla superficie di montaggio al punto C, come mostrato in figura 5a.
- Rimuovere il bullone M6 dal centro di ognuno dei quattro piedini in plastica usando una chiave esagonale, come mostrato in figura 5b. Assicurarsi che i piedini in gomma rimangano sulla base del mobile.
- Posizionare il frigorifero/congelatore sulla superficie di montaggio in modo tale da allineare i fori agli inserti filettati nel mobile.
- Fissare il mobile alla superficie di montaggio con bulloni M6, come mostrato in figura 5c. Non superare la coppia di serraggio di 3,5 Nm (2,5 lbft) quando vengono fissati i bulloni M6. ARB consiglia di non applicare ai bulloni del sigillante permanente per raccordi filettati.

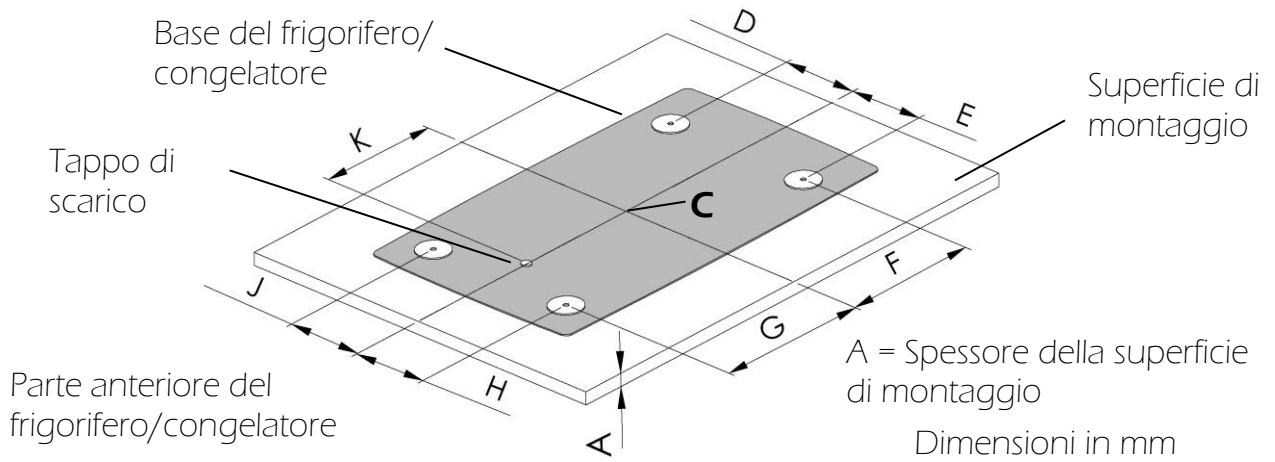
AVVISO:

- ***installare il piedino in gomma tra la base del mobile e la superficie di montaggio.***
- ***se si richiedono dei bulloni più lunghi, usare viti a testa incassata ad alta resistenza M6 x 1,0, classe minima 8.8. Per evitare di danneggiare componenti elettrici all'interno del frigorifero, aumentare la lunghezza del bullone in funzione dello spessore della superficie di montaggio (dimensione 'A' in figura 5a) più 8 mm per permettere l'inserimento nel piedino di gomma.***
- ***quando vengono rimossi i bulloni M6, evitare di ruotare il frigorifero/ congelatore sul lato.***

5.2.2 Montaggio provvisorio

La maniglia in acciaio su ogni estremità del frigorifero/congelatore ARB è stata progettata per essere usata come punto di ancoraggio. ARB consiglia di usare il sistema di ancoraggio ARB per fissare in modo sicuro il frigorifero/congelatore a punti di ancoraggio sicuri.

Figura 5a



Capacità totale	D	E	F	G	H	J	K
35/47L (mm/in)	120/4.72	120/4.72	215/8.46	245/9.65	120/4.72	120/4.72	193/7.60
60/78L (mm/in)	155/6.10	155/6.10	285/11.22	315/12.40	155/6.10	155/6.10	277/10.91

Figura 5b

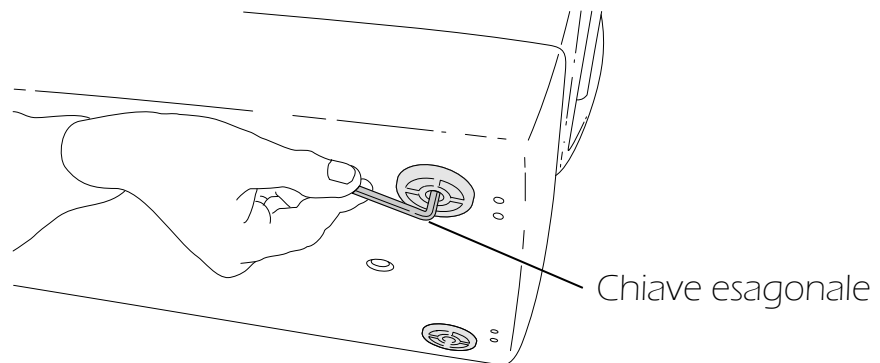
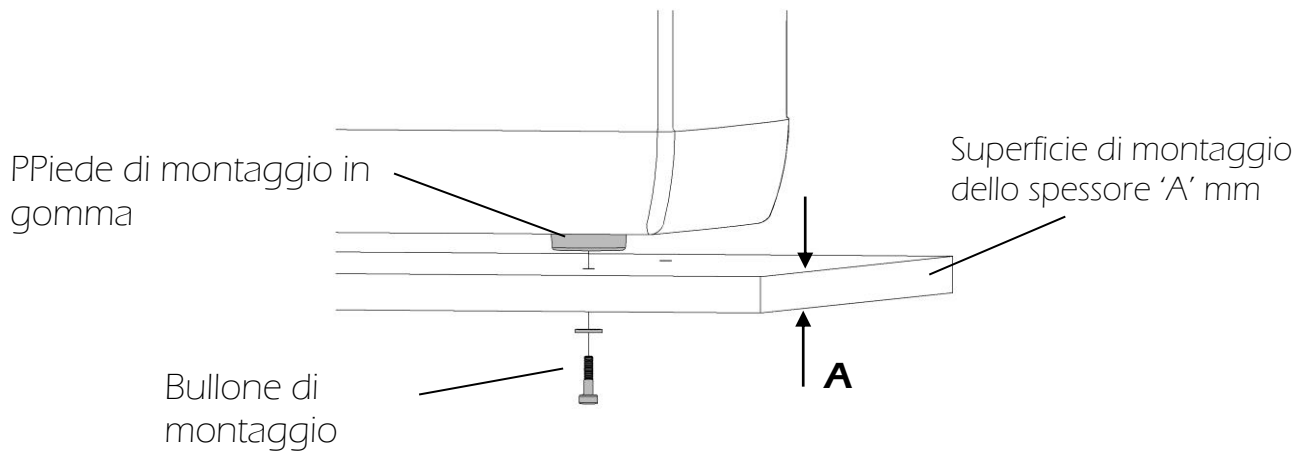


Figura 5c



6 USO

6.1 Prima dell'uso

Prima di mettere in funzione il frigorifero/congelatore per la prima volta, pulire le superfici esterne e interne con un panno umido. Per ulteriori dettagli relativi alla manutenzione del frigorifero/congelatore, consultare il capitolo "Pulizia e manutenzione".

6.2 Trasporto del frigorifero/congelatore

Ogni estremità del mobile del frigorifero/congelatore ARB è dotata di una maniglia in acciaio verniciata a polvere. Usare queste maniglie per sollevare e trasportare il frigorifero/congelatore.

AVVERTENZA: NON USARE MAI la chiusura del coperchio per sollevare o trasportare il frigorifero/congelatore.

ATTENZIONE: il frigorifero/congelatore deve essere sollevato da almeno due persone.

6.3 Apertura del frigorifero/congelatore

Il frigorifero/congelatore ARB è dotato di un coperchio con chiusura con azionamento a leva. Per aprire il coperchio del frigorifero/congelatore:

- Posizionare la mano sotto la chiusura, come mostrato in figura 6a.
- Sollevare la chiusura staccandola dal corpo del frigorifero/congelatore. La chiusura si stacca dal frigorifero/congelatore con un movimento ad arco.
- Rilasciare la chiusura una volta che si è staccata dal coperchio del frigorifero/congelatore. La chiusura rimarrà staccata dal coperchio come mostrato in figura 6b.
- Posizionare la mano sotto la maniglia del coperchio e sollevarlo, come mostrato in figura 6c.

Per chiudere il coperchio del frigorifero/congelatore:

- Posizionare la chiusura sul suo fermo, come mostrato in figura 6d.
- Premere la chiusura verso il corpo del frigorifero/congelatore, finchè viene bloccata in posizione, come mostrato in figura 6e. La chiusura si chiude con un clic.
- Adesso il frigorifero/congelatore è chiuso.

Figura 6a

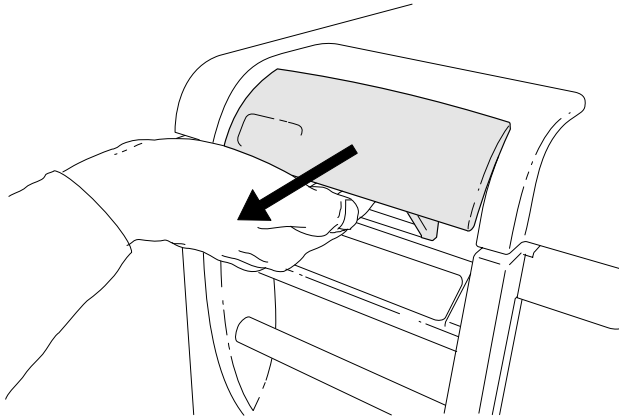


Figura 6b

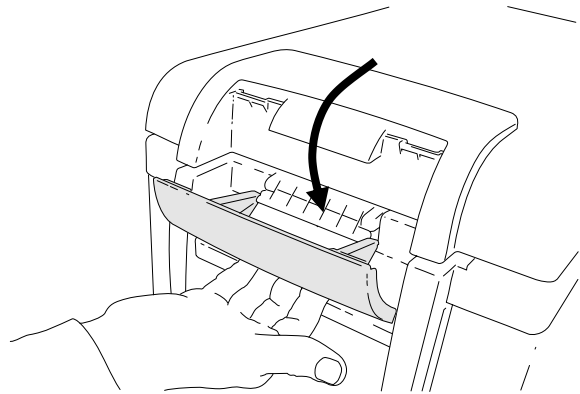


Figura 6c

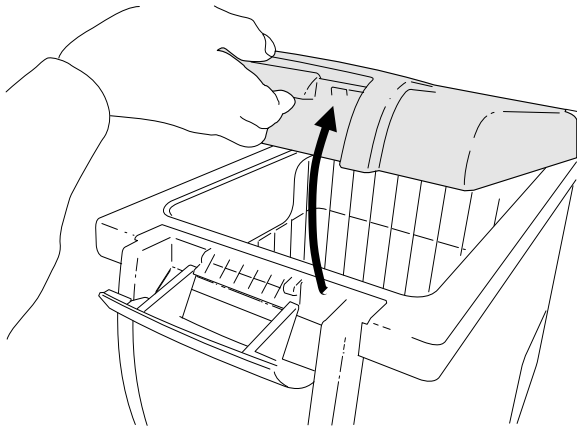


Figura 6d

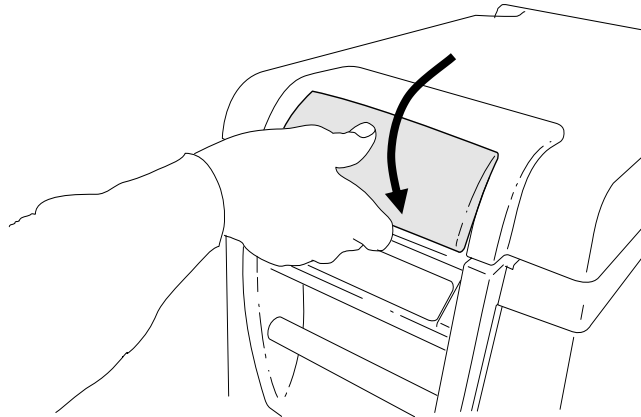
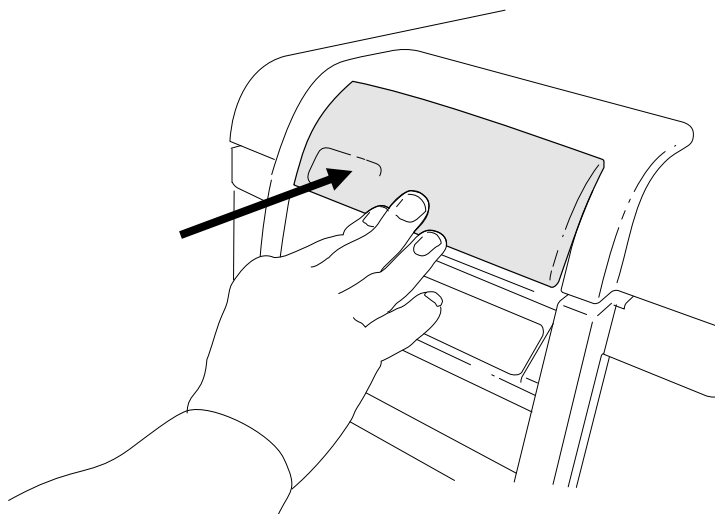


Figura 6e



6.4 Collegamento del frigorifero/congelatore

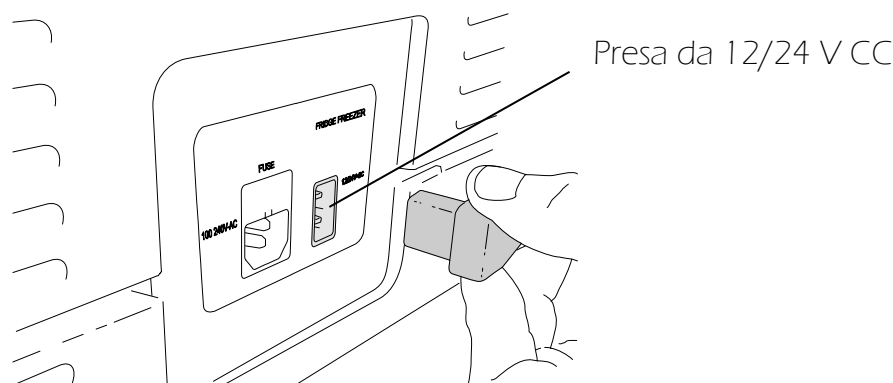
6.4.1 Collegamento a 12/24 V CC

Il frigorifero/congelatore ARB può venire messo in funzione con 12 V o 24 V CC. Esso è dotato infatti di un circuito di controllo che previene un'inversione di polarità e un possibile corto circuito quando l'unità è connessa a una batteria.

Per collegare il frigorifero/congelatore a un'alimentazione da 12 V o 24 V CC, eseguire le seguenti operazioni:

- Inserire il cavo di alimentazione da 12/24 V nella presa CC sul pannello posteriore del frigorifero/congelatore, come mostrato in figura 7.
- Collegare la parte terminale del cavo di alimentazione a una alimentazione da 12 o 24 V CC.

Figura 7



6.4.2 Requisiti elettrici 12/24 V CC

Per assicurare un'ottima prestazione del frigorifero/congelatore ARB, è importante che la conduttura elettrica sia in grado di supportare il carico richiesto. La conduttura elettrica degli accessori di molti veicoli non è adeguata a tale scopo.

ARB consiglia di installare un circuito di cablaggio apposito per alimentare il frigorifero/congelatore. Tale circuito deve essere il più corto possibile e deve essere collegato direttamente all'alimentazione elettrica attraverso un fusibile a 10 Amp.

Qualora si dovesse trattare di un'installazione in un'automobile o un'imbarcazione, ARB consiglia di collegare il circuito di cablaggio a un'alimentazione elettrica isolata, come un sistema di batteria ausiliaria. In questo modo si evita che la batteria principale di avviamento si scarichi.

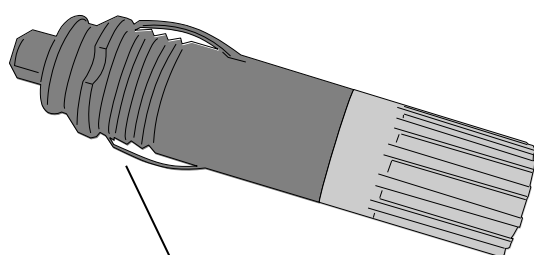
Per cavi lunghi fino ai 6 m, ARB consiglia un cavo con diametro minimo di 6 mm.

Per cavi più lunghi di 6 m, ARB consiglia di consultare un tecnico qualificato che vi indicherà il diametro corretto del cavo.

6.4.3 Presa da 12/24 V CC

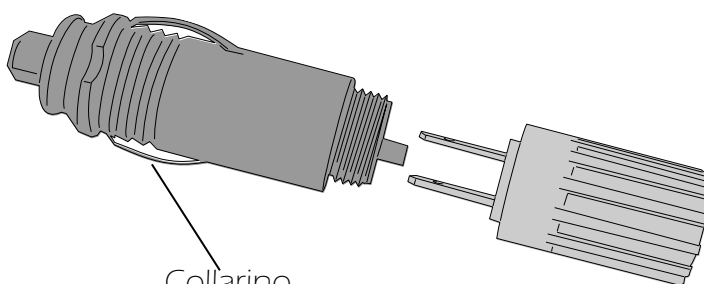
Il tappo sul cavo di alimentazione 12/24 V CC è dotato di un collarino adattatore rimovibile. Con il collarino posizionato (come mostrato in figura 8a), la spina viene inserita in una presa elettrica per accessori convenzionale di un veicolo (accendisigari). Se il collarino dell'adattatore viene rimosso (come mostrato alla figura 8b), la spina viene inserita in una ARB presa elettrica ausiliaria bipolare.

Figura 8a



Collarino adattatore
in posizione

Figura 8b



Collarino
adattatore rimosso

ARB consiglia fortemente di usare sempre questo collegamento bipolare per collegare il frigorifero/congelatore a 12 V CC e 24 V CC. In questo modo si ottiene un collegamento positivo e sicuro tra la fonte di alimentazione e il frigorifero/congelatore.

Al momento della scelta di un luogo per la presa elettrica ausiliaria del frigorifero/congelatore, considerare i seguenti punti:

- Posizionare la presa elettrica il più vicino possibile al frigorifero/congelatore.
- Posizionare la presa elettrica in un luogo adatto, in modo che l'utente possa collegare e scollegare in modo semplice la spina dalla presa.
- Posizionare la presa elettrica in un luogo protetto, lontano da polvere e umidità.
- Posizionare la presa nella parte superiore del veicolo, per evitare che si bagni, nel caso in cui nel veicolo dovesse penetrare dell'acqua.

AVVISO: se viene rimossa la spina oppure collarino adattatore e il frigorifero/congelatore è collegato permanente a un circuito da 12 V o 24 V CC, introdurre nel circuito un fusibile da 10 Amp in linea.

6.4.4 Connessione a 100–240 V CA

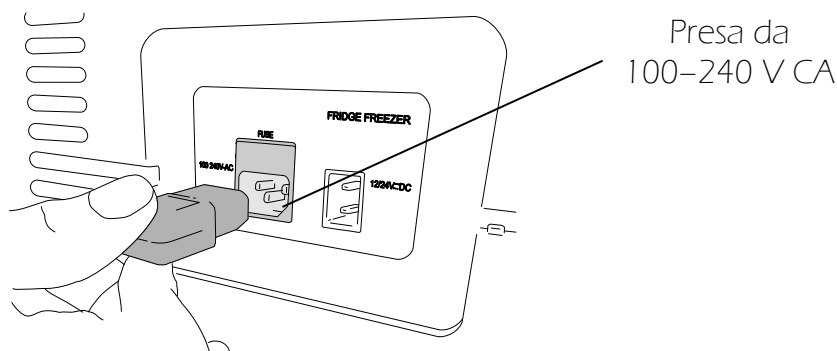
Il frigorifero/congelatore ARB può venire messo in funzione con una tensione CA di 100–240 V. Il frigorifero/congelatore è dotato di un circuito che dà la priorità all'alimentazione di rete CA sulla corrente CC. Se il frigorifero/congelatore è collegato all'alimentazione CA e CC, l'unità funziona con l'alimentazione CA.

AVVISO: Il LED rosso potrebbe accendersi brevemente quando la tensione di alimentazione viene commutata tra CA e CC.

Per collegare il frigorifero/congelatore all'alimentazione 100–240 V CA:

- Inserire il cavo di alimentazione da 100–240 V nella presa CA sul pannello posteriore del frigorifero/congelatore, come mostrato in figura 9.
- Collegare la parte terminale del cavo di alimentazione a una presa da 100–240 V CA.

Figura 9



ATTENZIONE: non toccare mai le spine, i cavi o gli interruttori con la mani bagnate o stando su una superficie bagnata.

ATTENZIONE: se il frigorifero/congelatore viene messo in funzione dall'alimentazione da 100–240 V CA, installare nel circuito un interruttore di corrente residua. ARB consiglia di consultare un tecnico qualificato.

6.4.5 Connessione a un generatore a motore

Prima di collegare il frigorifero/congelatore ARB a un generatore a motore, prendere nota delle seguenti indicazioni:

- Il generatore deve essere inserito con un regolatore automatico della tensione. Deve fornire una tensione CA a onda sinusoidale pura, senza variazioni di tensione o frequenza (p.es. 120 V CA~60 Hz o 240 V CA~50 Hz).
- Quando viene usata l'uscita CC del generatore, collegare una batteria con la tensione corretta (12 o 24 V) tra il generatore e il frigorifero/congelatore.
- Il frigorifero/congelatore deve venire spento quando viene acceso e spento il generatore.

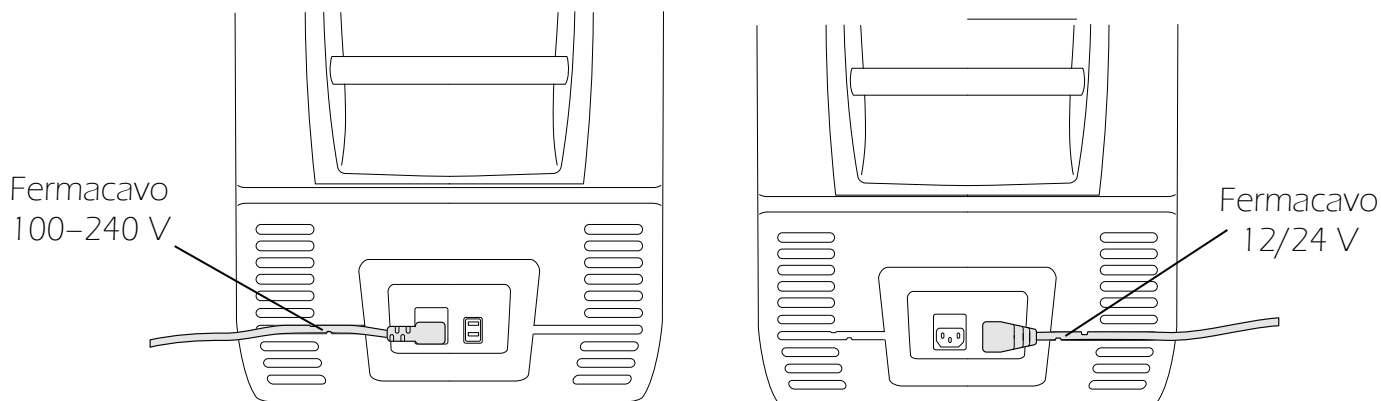
ATTENZIONE: alcuni generatori a motore non sono adatti ad alimentare il frigorifero/congelatore.

6.5 Fermacavo

Il pannello posteriore del frigorifero/congelatore ARB presenta dei canali fermacavo per i cavi da 12/24 V CC e 100–240 V CA. I fermacavo sono dimensionati in modo corretto per i cavi elettrici forniti con il frigorifero/congelatore. Il fermacavo di sinistra (mostrato in figura 10a) è destinato al cavo 100–240 V CA. Il fermacavo di destra è destinato al cavo 12/24 V CC, come mostrato in figura 10b.

Figura 10a

Figura 10b



Per inserire il cavo nei fermacavo:

- Inserire il cavo elettrico nella presa elettrica corretta. Consultare il capitolo 6.4.
- Cominciando con l'estremità più vicina alla spina, premere il cavo nel fermacavo con un movimento circolare. Il movimento circolare aiuta a far passare il cavo nell'apposito fermacavo.

AVVISO: prestare attenzione al momento dell'installazione e della rimozione dei cavi per evitare danni al corpo del frigorifero/congelatore o ai cavi elettrici.

AVVERTENZA: i fermacavi sono dimensionati per i cavi elettrici forniti con il frigorifero/congelatore. ARB non consiglia l'uso di altri cavi elettrici.

6.6 Consiglio per il risparmio energetico

Per ottenere un'ottima prestazione dal frigorifero/congelatore, ARB consiglia quanto segue:

- Posizionare il frigorifero/congelatore in una zona ben ventilata e protetta dai raggi diretti del sole.
- Cercare di aprire il frigorifero/congelatore il meno possibile.
- Non lasciare il coperchio aperto più del necessario.
- Non impostare la temperatura più bassa del necessario.
- Sbrinare il frigorifero quando comincia a formarsi il ghiaccio.

6.7 Rimozione del coperchio

È possibile rimuovere e reinserire il coperchio del frigorifero/congelatore ARB in modo semplice e veloce.

Per rimuovere il coperchio del frigorifero/congelatore:

- Aprire il coperchio in modo che il bordo interno del coperchio sia staccato dal mobile del frigorifero/congelatore, come mostrato in figura 11a. La procedura di apertura del coperchio del frigorifero/congelatore è descritta al capitolo 6.3.
- Afferrare fermamente il coperchio con le due mani.
- Tirare il coperchio in direzione della parte anteriore del frigorifero, come mostrato in figura 11b. I perni della cerniera si sganciano e sarà possibile rimuovere il coperchio dal mobile del frigorifero/congelatore.

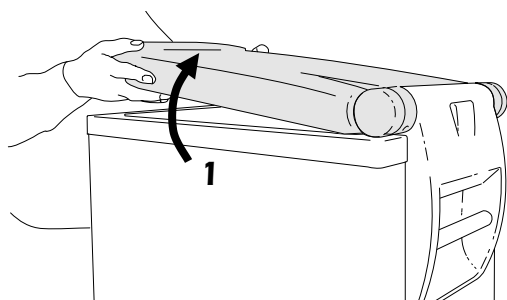


Figura 11a

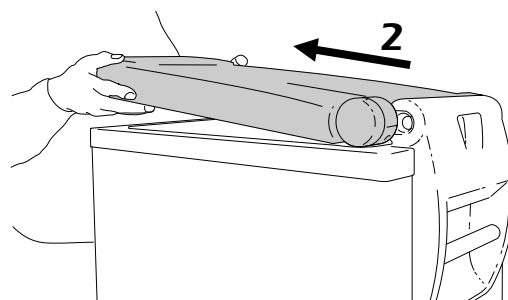


Figura 11b

NOTA: se si dovessero incontrare difficoltà durante la rimozione del coperchio, applicare una leggera forza laterale al coperchio, tirandolo in avanti. In questo modo sarà più semplice staccare uno dei perni della cerniera.

Per chiudere il coperchio del frigorifero/congelatore:

- Posizionare il coperchio sulla parte superiore del mobile con i perni della cerniera allineati alle rientranze, come mostrato in figura 11c. Inclinare leggermente il coperchio per assicurarsi che il bordo interno del coperchio sia staccato dal frigorifero/congelatore.
- Premere il coperchio in direzione del retro del mobile, in modo che i perni della cerniera scorrano nelle rientranze, come mostrato in figura 11d.
- I perni della cerniera entrano in sede con un clic.
- Aprire e chiudere il coperchio per assicurarsi che i perni della cerniera siano correttamente in sede.
- Procedere alla chiusura seguendo i passi descritti nel capitolo 6.3.
-

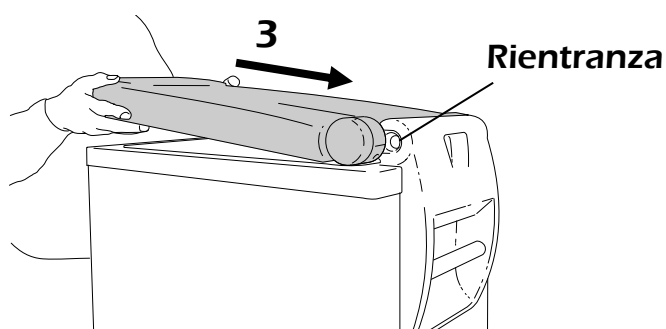


Figura 11c

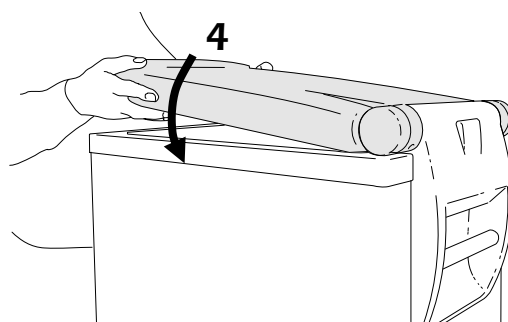


Figura 11d

6.8 Accensione e spegnimento del frigorifero/congelatore

Per accendere il frigorifero/congelatore ARB:

Premere e tenere premuto  per due-tre secondi.

- Una volta che il frigorifero/congelatore si è acceso, il LED di funzionamento diventa verde.
- Sul display viene ora visualizzata la temperatura attuale nel frigo.






AVVISO: la temperatura attuale del frigo viene misurata al centro del vano. La temperatura di altre parti all'interno del vano si scosta da tale valore.

Per spegnere il frigorifero/congelatore:

- Premere e tenere premuto  per due-tre secondi.
- Quando il frigorifero/congelatore è spento, il LED e il display si spengono.

6.9 Impostazione della temperatura desiderata nel vano frigo

Per impostare la temperatura desiderata nel vano del frigorifero/congelatore, procedere come segue:




- Accendere il frigorifero/congelatore.
- Premere  una volta per visualizzare la temperatura attuale nel vano.
- Premere  per aumentare di un grado la temperatura.
- Premere  per diminuire di un grado la temperatura.
- Premere  o  fino a raggiungere la temperatura desiderata nel mobile.
- Dopo 5–6 secondi di inattività, il display lampeggia due volte e torna a visualizzare la temperatura attuale nel vano frigo.

AVVISO: una volta raggiunta la temperatura desiderata, il compressore si arresta e il LED di funzionamento diventa arancio.

6.10 Commutazione da °C a °F

Il frigorifero/congelatore ARB è in grado di indicare la temperatura in gradi Celsius (°C) o Fahrenheit (°F.)

Per commutare l'indicazione tra °C a °F:

- Accendere il frigorifero/congelatore.
- Premere  due volte per visualizzare l'unità di misura corrente della temperatura.
- Premere  o  per commutare tra °C e °F.
- Dopo 5–6 secondi di inattività, il display lampeggia due volte e torna a visualizzare la temperatura attuale nel frigo.

6.11 Indicazione dello stato della batteria

Il frigorifero/congelatore ARB dispone di un dispositivo di monitoraggio della batteria, per controllarne il livello di carica. Il dispositivo di monitoraggio ha tre impostazioni: ALTO, MEDIO e BASSO. Se è impostato su ALTO, il dispositivo di monitoraggio della batteria fornisce la massima protezione per evitare un eccessivo scaricamento della batteria. Se impostato su BASSO, il dispositivo di monitoraggio della batteria consente di utilizzare al massimo l'energia contenuta nella batteria. La tabella 1 indica le soglie di tensione in riferimento alle tre impostazioni del dispositivo di monitoraggio della batteria. Il settaggio di fabbrica è Medio.

Se il frigorifero/congelatore è in grado di funzionare senza che il veicolo sia acceso, non appena la tensione dell'alimentazione scende al di sotto del livello impostato, il dispositivo di monitoraggio della batteria causa l'arresto dell'unità. Il frigorifero/congelatore si riavvia automaticamente una volta raggiunta la tensione di riaccensione.

AVVISO: quando l'indicazione della batteria è attiva, l'unità di raffreddamento (incluso il compressore) non funziona. Il LED di funzionamento sul pannello di controllo è OFF, mentre il LED di controllare ('check') lampeggia ROSSO. L'unità di raffreddamento non si riavvia finché il livello di tensione della batteria raggiunge la tensione di riaccensione riportata nella tabella 1.

Tabella 1




	MODALITÀ DI INDICAZIONE DELLA BATTERIA		
	BASSO	MEDIO	ALTO
Tensione di spegnimento – 12 V CC	10,1 V	11,4 V	11,8 V
Tensione di riaccensione – 12 V CC	11,1 V	12,2 V	12,6 V
Tensione di spegnimento – 24 V CC	21,5 V	24,1 V	24,6 V
Tensione di riaccensione – 24 V CC	23,0 V	25,3 V	26,2 V

Se il frigorifero/congelatore è collegato alla batteria di avviamento con un sistema 12/24 V CC, ARB consiglia di impostare il livello di indicazione della batteria su ALTO/MEDIO.

Se il frigorifero/congelatore è collegato alla batteria ausiliaria con un sistema 12/24 V CC, ARB consiglia di impostare il livello di indicazione della batteria su BASSO.

AVVISO: ARB consiglia di caricare la batteria una volta che si è innescato il dispositivo di monitoraggio della batteria. ARB consiglia inoltre di spegnere tutti i dispositivi elettrici non necessari che vengono alimentati dalla stessa fonte del frigorifero/congelatore finché la batteria è completamente carica.

Per modificare il livello di protezione della batteria:

- Accendere il frigorifero/congelatore.
- Premere  tre volte per visualizzare l'impostazione della protezione attuale della batteria.
- Premere  o  per selezionare la tensione di protezione della batteria tra Alto (Hi), Medio (nEd) e Basso (Lo).
- Dopo 5–6 secondi di inattività, il display lampeggia due volte e torna a visualizzare la temperatura attuale nel frigo.



6.12 Il cestello

Il frigorifero/congelatore ARB è dotato di un cestello reversibile a filo che serve a proteggere le pareti interne del frigorifero/congelatore. È possibile inserire il cestello con il lato alto posto contro la parte anteriore del frigorifero, come mostrato in figura 12a. In questo modo è possibile riporre articoli dalla forma allungata nella parte alta del mobile del frigorifero/congelatore. Il cestello può venire riposizionato in modo che la parte alta risulti nel centro del mobile, come mostrato in figura 12b. In questo modo si crea una spartizione completa tra il vano principale di raffreddamento e il vano per prodotti caseari/frutta.

Figura 12a

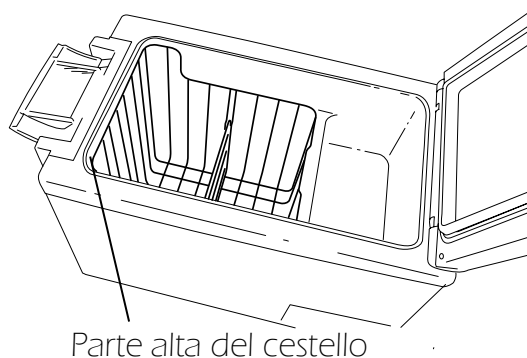
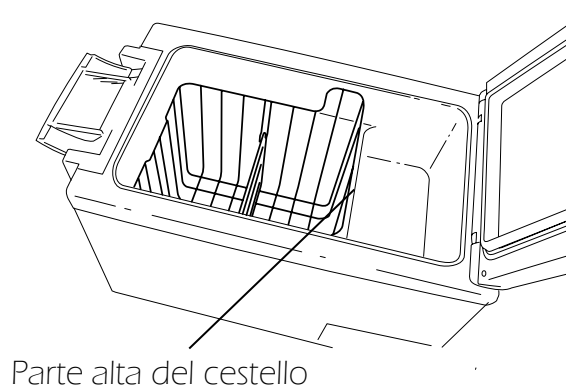


Figura 12b



Per rimuovere il cestello dal vano

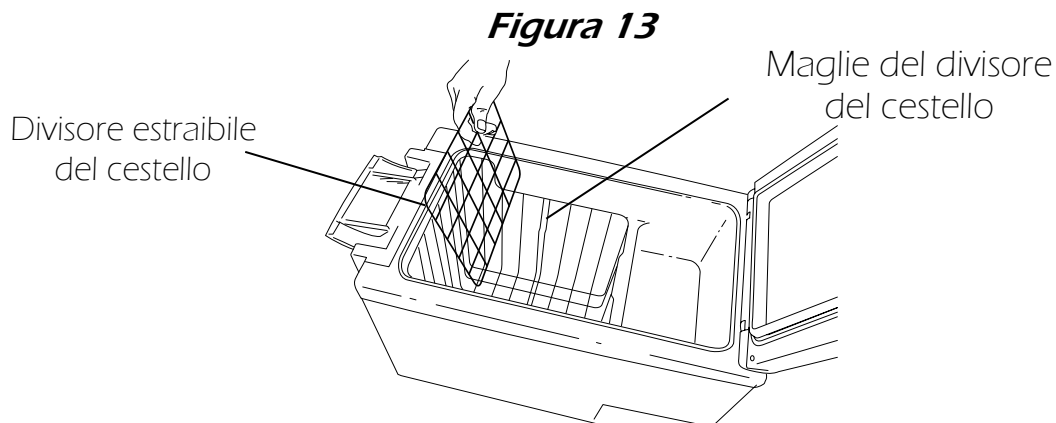
- Estrarre sollevando verticalmente il cestello. Alcuni modelli hanno un determinato paniere. Per invertire tale cestini, rimuovere e sostituire la chiusura a canestro quando viene riposizionata.

Per reinserire il cestello nel vano:

- Far scorrere il cestello verso il fondo del mobile del vano. Il cestello è posizionato in modo corretto quando la sua base è a contatto con quella del vano frigo.

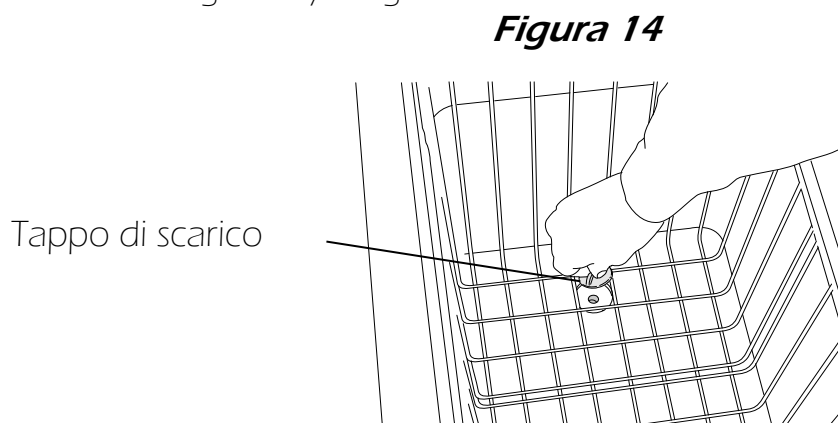
6.13 Divisore del cestello

Il frigorifero/congelatore ARB è dotato di un divisore estraibile del cestello. È possibile rimuovere il divisore in modo semplice, sollevandolo verticalmente, come mostrato in figura 13. Quando viene reinserto, è importante che il divisorio risulti posizionato tra le maglie sui lati del cestello. Per i modelli con un divisore fisso, il divisore non deve essere isolata dal cestello.



6.14 Tappo di scarico

Il frigorifero/congelatore ARB è dotato di un tappo di scarico posto alla base del mobile, come mostrato in figura 14. In questo modo è possibile rimuovere il tappo di scarico per drenare liquidi dal vano del frigorifero/congelatore.



Per rimuovere il tappo di scarico:

- Aprire il coperchio del frigorifero/congelatore.
- Afferrare il tappo di scarico con le dita.
- Sollevare delicatamente il tappo di scarico dalla base del vano frigo.

Per reinsertare il tappo di scarico:

- Aprire il coperchio del frigorifero/congelatore.
- Posizionare la punta del tappo nel foro di scarico.
- Applicare una leggera pressione al tappo, in modo che scorra nello scarico. Il tappo di scarico è posizionato in modo corretto se il bordo è completamente a contatto con la base del vano.

AVVISO: è importante reinsertare il tappo di scarico prima di far funzionare il frigorifero/congelatore per un lungo periodo di tempo. La mancata osservanza di questa informazione, causa una diminuzione delle prestazioni.

6.15 Sbrinamento del frigorifero/congelatore

Talvolta potrebbe formarsi del ghiaccio all'interno del frigorifero/congelatore ARB. In questo caso, la capacità interna e l'efficienza termica si riducono. ARB consiglia di sbrinare regolarmente il frigorifero/congelatore.

Per sbrinare il frigorifero/congelatore ARB:

- Rimuovere il contenuto del frigorifero/congelatore.
- Spegnerne il frigorifero/congelatore.
- Aprire il coperchio in modo che l'aria a temperatura ambiente sciogla il ghiaccio
- Rimuovere il tappo di scarico e fare in modo che l'acqua fuoriesca.
- Pulire il mobile con un panno morbido asciugandolo dell'acqua rimanente.

AVVERTENZA: non usare oggetti duri o appuntiti per sbrinare il frigorifero/congelatore o per rimuovere oggetti congelati.

6.16 Sostituzione del fusibile del frigo

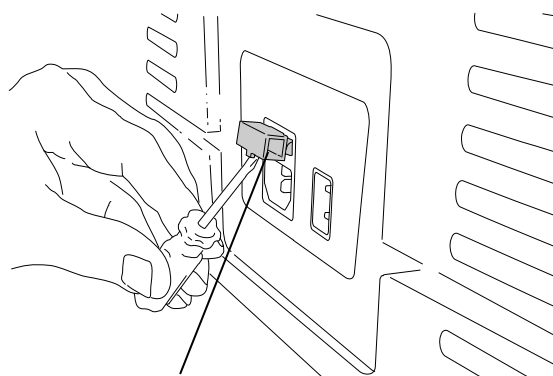
Il frigorifero/congelatore è dotato di un fusibile posizionato sul retro.

ATTENZIONE: scollegare il frigorifero/congelatore da tutte le fonti di alimentazione prima di sostituire il fusibile.

Per sostituire il fusibile:

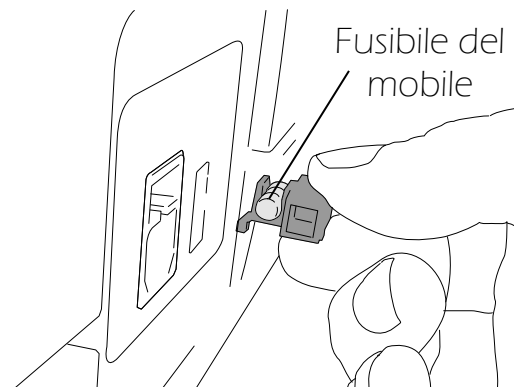
- Rimuovere i cavi di alimentazione CA e CC dalle prese elettriche.
- Rimuovere l'inserto del fusibile dal pannello posteriore del frigorifero/congelatore, come mostrato in figura 15a. Potrebbe essere necessario un piccolo cacciavite a lama piatta per staccare (sollevandolo) l'inserto dall'alloggiamento.
- Sostituire il fusibile difettoso con un nuovo fusibile con le stesse caratteristiche. Si tratta di un fusibile 4A - (F4L250V). Fare riferimento alla figura 15b.
- Sostituire il fusibile e reinserirlo nell'alloggiamento.

Figura 15a



Inserto del fusibile

Figura 15b



6.17 Sostituzione del fusibile della spina (12/24 V)

Il frigorifero/congelatore è dotato di un fusibile inserito nella spina 12/24 V CC.

ATTENZIONE: *scollegare il frigorifero/congelatore da tutte le fonti di alimentazione prima di sostituire il fusibile della spina.*

Per sostituire il fusibile della spina:

- Separare e rimuovere la parte superiore dal corpo della spina come mostrato in figura 16a.
- Sostituire il fusibile difettoso con un nuovo fusibile con le stesse caratteristiche come mostrato in figura 16b. Si tratta di un fusibile 3AG 10 Amp.
- Rimontare la spina in ordine inverso rispetto a quanto sopra riportato.

Figura 16a

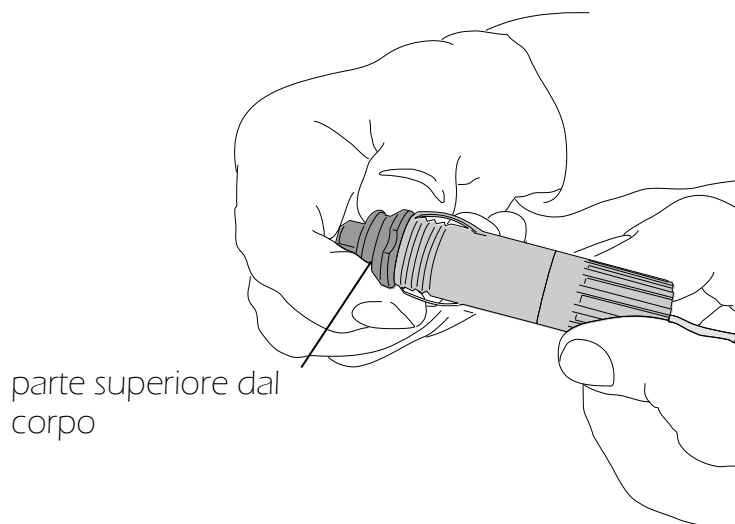
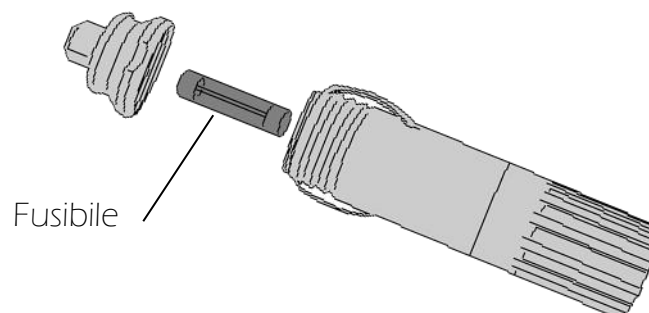


Figura 16b



6.18 Sostituzione della lampadina

Il frigorifero/congelatore è dotato di una lampadina LED a basso assorbimento di corrente e di lunga vita. Per le normali condizioni di funzionamento, questa lampadina non dovrebbe richiedere sostituzioni. Nel caso improbabile che sia necessaria una sostituzione della lampadina, seguire la seguente procedura:

ATTENZIONE: scollegare il frigorifero/congelatore da tutte le fonti di alimentazione prima di sostituire la lampadina.

Per sostituire la lampadina:

- Se il cestello è inserito con la parte superiore posta contro la parte anteriore del frigorifero, esso deve essere rimosso per poter accedere all'alloggiamento della lampadina. Per ulteriori dettagli, consultare il capitolo 6.12.
- Rimuovere l'alloggiamento della lampadina trasparente dal rivestimento interno del frigorifero/congelatore, come mostrato in figura 17a. Per fare questo, posizionare le dita sotto al bordo dell'alloggiamento della luce ed estrarlo dal rivestimento interno del frigorifero/congelatore.
- Sostituire la lampadina difettosa con una nuova con le stesse caratteristiche, come mostrato in figura 17b. Le lampadine per la sostituzione possono venire richieste rivenditore del frigorifero/congelatore ARB più vicino.
- Assicurarsi che i LED all'interno della lampadina siano rivolti verso il lato trasparente dell'alloggiamento della lampadina.
- Verificare che la lampadina funzioni correttamente.
- Reinscrivere l'alloggiamento della lampadina al suo posto.

Figura 17a

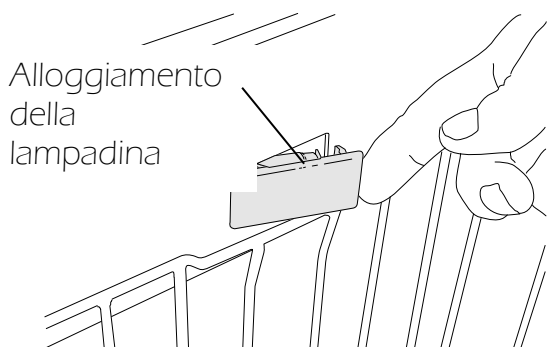
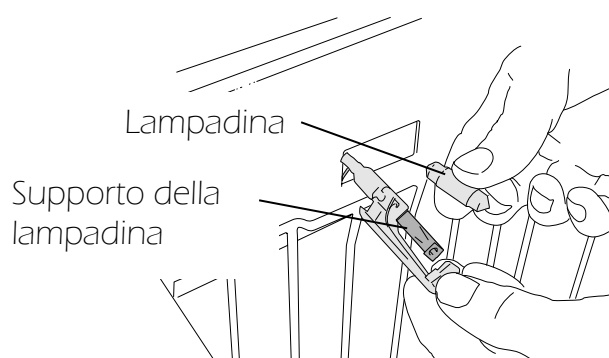


Figura 17b



6.19 Conservazione del frigorifero/congelatore

Se non si intende più utilizzare il frigorifero/congelatore per un lungo periodo di tempo, ARB consiglia quanto segue:

- Spegnere il frigorifero/congelatore e scollegarlo da tutte le fonti di alimentazione.
- Rimuovere tutti gli oggetti (escluso il cestello e il divisore del cestello).
- Lasciare socchiuso il coperchio per permettere il ricircolo d'aria.

NOTA: per garantire che il coperchio rimanga aperto, sollevare il coperchio e sistemare il laccetto sopra al contenitore prima di abbassare delicatamente il coperchio sul laccetto. Per una maggiore ventilazione, rimuovere la scatola filtri.

6.20 Cambio del canale di trasmissione

Il frigorifero ARB può essere utilizzato con il display per frigorifero wireless ARB (venduto a parte) che permette di scegliere tra 4 canali di trasmissione.

Per cambiare il canale di trasmissione:

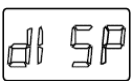

- Accendere il frigorifero.
- Premere quattro volte il tasto  per visualizzare il canale di trasmissione attuale (per es.: ).
- Premere il tasto  o il tasto  per cambiare il canale in Ch1, Ch2, Ch3 o Ch4.
- Dopo 5 - 6 secondi di inattività, il display lampeggerà e tornerà a visualizzare la temperatura attuale del contenitore.

Fare riferimento alle istruzioni fornite con il display per frigorifero wireless ARB per le informazioni sull'installazione e sull'uso di quest'ultimo.

6.21 Modifica della luminosità del quadro comandi

La luminosità del display del quadro comandi sul frigorifero ARB è regolabile.

Per modificare la luminosità del display del quadro comandi:

- Accendere il frigorifero.
- Premere cinque volte il tasto  per visualizzare .
- Premere il tasto  o il tasto  per passare da uno all'altro dei due livelli di luminosità.
- Dopo 5 - 6 secondi di inattività, il display lampeggerà e tornerà a visualizzare la temperatura attuale del contenitore.

6.22 Visualizzazione della tensione di alimentazione

Il frigorifero ARB può visualizzare la tensione di alimentazione ad esso fornita.

Per visualizzare la tensione di alimentazione:

- Accendere il frigorifero.
- Premere il tasto  per visualizzare la tensione di alimentazione.

Quando il frigorifero è collegato a un'alimentazione c.c., verrà visualizzata la tensione di alimentazione

Quando il frigorifero è collegato a un'alimentazione c.a., verrà visualizzata la dicitura "AC"

7 PULIZIA E MANUTENZIONE

Per pulire la parte esterna o interna del frigorifero/congelatore, usare un panno umido e dell'acqua calda contenente un detergente per la cura della casa delicato e non abrasivo.

Se il frigorifero/congelatore viene fatto funzionare in un luogo pieno di polvere, ARB consiglia di pulire regolarmente le superfici esterne per prevenire la formazione di sporco e polvere. ARB consiglia soprattutto di pulire regolarmente attorno al meccanismo della cerniera e attorno all'alloggiamento del motore. Per pulire attorno all'alloggiamento del motore, ARB consiglia di posizionare il frigorifero/congelatore in un posto ben areato, usando un aspirapolvere o un getto leggero di aria compressa.

AVVERTENZA: non rimuovere mai l'alloggiamento del motore.

Prima di pulire il frigorifero/congelatore, prendere nota delle seguenti indicazioni:

- Spegnere sempre e rimuovere la spina dal frigorifero/congelatore prima di effettuare interventi di pulizia e manutenzione all'unità.
- Non usare mai oggetti duri o detergenti abrasivi per pulire il frigorifero/congelatore.
- Per sbrinare il frigorifero/congelatore, non usare spazzole, pagliette oppure oggetti duri o appuntiti.
- Non pulire il frigorifero/congelatore sotto l'acqua corrente o con un idropulitore.

8 SMALTIMENTO

Smaltire il materiale di imballaggio nei contenitori appropriati per rifiuti da riciclare, dove possibile.

Se si intende smaltire il frigorifero/congelatore, chiedere al centro di riciclaggio locale o a un rivenditore di frigoriferi/congelatori autorizzati se sono in vigore ulteriori dettagli relativi alle normative di smaltimento.

9 ELIMINAZIONE DEI GUASTI

Il seguente elenco di controllo aiuterà a identificare l'origine del problema del frigorifero/congelatore. Se, dopo averlo letto, non si è ancora sicuri della causa del guasto, contattare il rivenditore ARB più vicino.

1. Il frigorifero/congelatore non funziona più. Il LED non è acceso.

1.1 I collegamenti del cavo di alimentazione (all'estremità del frigorifero/congelatore o all'estremità dell'alimentazione) potrebbero essere allentati oppure sporchi.

- Controllare che i collegamenti del cavo di alimentazione del frigorifero/congelatore non siano allentati o scollegati.
- Controllare che i contatti elettrici non presentino sporco, impedendo l'alimentazione del frigorifero/congelatore.

1.2 Il fusibile nella spina da 12/24 V CC potrebbe essere bruciato.

- Controllare il fusibile della spina da 12/24 V CC e sostituirlo se necessario. Consultare il capitolo 6.17.

1.3 Il fusibile del frigo potrebbe essere bruciato.

- Controllare il fusibile del frigo e sostituirlo se necessario. Consultare il capitolo 6.16.

2. Il compressore del frigorifero/congelatore non funziona più. Il LED è ARANCIO.

2.1 Il frigorifero/congelatore ha raggiunto la temperatura desiderata.

- Il frigorifero/congelatore funziona correttamente. Non è necessario alcun intervento.

3. Il frigorifero/congelatore non funziona più. Il LED è OFF e il LED di controllare ('check') ROSSO lampeggia.

3.1 Il sistema di protezione della batteria interna ha spento il frigorifero/congelatore perchè la tensione della batteria è troppo bassa.

- Il frigorifero/congelatore si riavvia automaticamente una volta raggiunta la tensione di riaccensione. Consultare il capitolo 6.11 inerente alle tensioni di spegnimento e di riaccensione.

4. Il frigorifero/congelatore non raffredda oppure si è spento. Il LED è verde.

4.1 Potrebbe essersi verificato un guasto interno nel frigorifero/congelatore.

- Questo apparecchio può venire riparato solo da un agente di servizio per frigoriferi/congelatori ARB autorizzato.

5. Il pannello di controllo visualizza un messaggio di errore (p.es. ERR1, ERR2, ERR2) e il frigorifero/congelatore non raffredda.

5.1 Il frigorifero/congelatore potrebbe essersi spento a causa di un guasto interno.

- Questo apparecchio può venire riparato solo da un agente di servizio per frigoriferi/congelatori ARB autorizzato.

6. Quando viene collegato a un circuito di cablaggio di un veicolo in marcia, il frigorifero/congelatore a volte vibra o si ferma.

6.1 Potrebbe trattarsi di una perdita di tensione nel circuito di cablaggio.

- È possibile verificare questa ipotesi leggendo la tensione all'estremità del cavo di alimentazione del frigorifero/congelatore. Se la tensione è inferiore a 11.8V (12VCC) / 24.1V (24VCC), controllare la conduttura elettrica.
- Se necessario, aggiornare la conduttura elettrica del proprio frigorifero/congelatore aiutandosi con le informazioni fornite al capitolo 6.4.

7. Il frigorifero/congelatore si ferma oppure non funziona correttamente

7.1 Il sistema di protezione della batteria interna potrebbe spegnere il frigorifero/congelatore perchè la tensione della batteria è troppo bassa.

- Controllare se l'alimentazione di tensione alla spina del frigorifero/congelatore è scesa al di sotto dei dati relativi alla tensione elencati nel capitolo 6.11. Leggere la tensione alla spina del frigorifero/congelatore, in quanto ci sono normalmente 1-2 V che vengono persi tra la fonte di alimentazione (batteria) e la spina del frigorifero/congelatore.
- La batteria del veicolo potrebbe richiedere una sostituzione oppure occorre aggiornare il cablaggio del frigorifero/congelatore. Consultare il capitolo 6.4 per dettagli inerenti ai requisiti elettrici.

8. Il frigorifero/congelatore funziona da troppo tempo senza raffreddare a dovere.

8.1 Le prestazioni di un frigorifero/congelatore, specialmente in temperature ambiente elevate, dipendono da un buon flusso d'aria attorno alle fessure di raffreddamento del frigorifero/congelatore.

- Controllare che le fessure di areazione non siano ostruite e che ci sia sufficiente spazio per una buona areazione attorno al frigorifero/congelatore. Per ulteriori dettagli, consultare il capitolo 5.1.

9. Quando il coperchio del frigorifero/congelatore è aperto, la luce LED del mobile non si accende.

9.1 Il frigorifero/congelatore potrebbe non essere collegato a una alimentazione adatta.

- Controllare il collegamento tra la fonte di alimentazione e il frigorifero/congelatore.

9.2 La lampadina LED potrebbe essere bruciata

- Controllare la lampadina e sostituirla se necessario. Per ulteriori dettagli, consultare il capitolo 6.18.

10 GARANZIA

ARB garantisce i Prodotti ARB esenti da difetti di manodopera e dei materiali per il Periodo di validità della Garanzia. Se durante il Periodo di validità della Garanzia si manifestassero difetti della manodopera o dei materiali, ARB sostituirà o riparerà il Prodotto difettoso.

I benefici per il cliente concessi dalla presente garanzia sono in aggiunta agli altri diritti e risarcimenti del cliente a norma di legge in relazione alle merci o ai servizi a cui si riferisce la garanzia.

1) Nella presente garanzia:

- **ARB** significa ARB Corporation Limited (ABN 31 006 708 756), 42-44 Garden St, Kilsyth Victoria 3137
- **Punto vendita ARB** significa un punto vendita che è stato autorizzato da ARB a vendere e montare Prodotti ARB
- **Prodotto ARB** significa prodotto che ARB fabbrica o per il quale ARB è il fornitore esclusivo
- **Informazioni sul prodotto** significa le informazioni sul Prodotto ARB pertinente che possono essere contenute in qualsivoglia documentazione fornita con i Prodotti ARB, manuale utente, manuale per l'uso, manuale di assistenza tecnica del manuale del costruttore o etichette apposte sul Prodotto ARB
- **Periodo di validità della Garanzia** significa, rispetto a un Prodotto ARB, il periodo per cui vale la presente Garanzia da difetti e che è stabilito nelle tabelle di cui al capoverso 8.

2) Per avere diritto ad esigere la garanzia, il cliente deve:

- a) avere il Prodotto ARB montato in conformità alle Informazioni sul Prodotto
- b) avere sottoposto a normale cura e manutenzione il Prodotto ARB, ivi compresa qualsiasi cura e manutenzione richiesta dalle Informazioni sul Prodotto
- c) fornire prova di acquisto del Prodotto ARB
- d) effettuare le richieste entro il Periodo di validità della Garanzia

2) La garanzia non vale nei casi in cui il difetto sia causato da:

- a) uso inconsueto, improprio o negligente o uso scorretto del Prodotto ARB
- b) montaggio errato del Prodotto ARB non eseguito in un Punto Vendita ARB
- c) caricamento del Prodotto ARB con pesi superiori a quelli indicati nelle Informazioni sul Prodotto
- d) uso di componenti ARB non originali nel o con il Prodotto ARB
- e) uso su veicoli con modifiche non approvate nelle Informazioni sul Prodotto o presso un Punto vendita ARB al momento del montaggio
- f) uso in corse o competizioni
- g) uso del Prodotto ARB al di fuori dei requisiti delle Informazioni sul Prodotto

3) La procedura di richiesta di efficacia della garanzia da parte del cliente è la seguente:

- a) restituire il Prodotto ARB al Punto vendita ARB più prossimo o contattare ARB per concordare un orario in cui portare un veicolo equipaggiato con il Prodotto ARB presso un Punto vendita ARB ai fini dell'ispezione. Gli estremi di contatto sono riportati nel sottostante capoverso 7 qualora siano necessarie ulteriori informazioni riguardo agli estremi del punto vendita di zona
- b) portare prova di acquisto del Prodotto ARB al Punto vendita ARB
- c) ARB esaminerà il Prodotto ARB e stabilirà se sono state soddisfatte le condizioni della garanzia

4) Se ARB accetta la richiesta di attuazione della garanzia, ARB rettificherà qualsiasi difetto della manodopera o dei materiali a proprie spese.

5) Le spese ottenute dal cliente per la richiesta di attuazione della garanzia sono a carico del cliente.

6) La presente garanzia è concessa da: ARB Corporation Limited
42-44 Garden Street Kilsyth VIC 3137, Australia
Tel.: 03 9761 6622
Fax: 03 9721 9090
www.arb.com.au

7) Il periodo entro cui un difetto nei Prodotti ARB deve manifestarsi, se il cliente deve avere diritto ad esigere l'attuazione della garanzia, è 3 anni a partire dalla di acquisto salvo:

- a) Il Prodotto ARB sia utilizzato in Utilizzo commerciale. Utilizzo commerciale significa utilizzo in ambito industriale o commerciale, ivi compresi (senza limitazione) l'utilizzo nell'industria mineraria o in un veicolo a noleggio. In tal caso, il Periodo di validità della Garanzia è quello minore tra 1 anno o 20.000 km, ovvero un terzo del periodo o della distanza specificati nella tabella, a partire dalla data di acquisto.

8) La garanzia da difetti contenuta nel presente documento sostituisce ogni altra garanzia da difetti o garanzia a titolo gratuito concessa in relazione ai Prodotti.

Le nostre merci sono provviste di garanzie che non possono essere escluse a norma della legislazione australiana in materia di tutela dei clienti. Lei ha diritto a una sostituzione o un rimborso per una omissione di grave entità e ad un risarcimento per qualsiasi altra perdita o altro danno ragionevolmente prevedibile. Lei ha inoltre il diritto di farsi riparare o sostituire le merci qualora esse non risultino essere di qualità accettabile e tale carenza non ammonti a una omissione di grave entità.

11 SPECIFICHE TECNICHE

Capacità totale – Litri (quarti)	35 (37)	47 (50)	60 (63)	78 (82)
Tipo	10801020	10801010	10801030	10801040
Categoria	I	I	I	I
Consumo annuo di energia [KWh/l'anno]	93	95	99	111
Classe climatica	N,T	N,T	N,T	N,T
Indice di efficienza energetica	A+	A+	A+	A+
Tensione di alimentazione (eccetto l'America del Nord)	12/24 V CC e 100-240 V CA			
Tensione di alimentazione (per l'America del Nord)	12/24 V CC e 120 V CA ~ 60Hz			
Corrente nominale				
- 12V CC	5.0 A	5.1 A	5.3 A	7.3 A
- 24V CC	2.5 A	2.8 A	3.0 A	3.5 A
- 100-240 V CA	0.8 - 0.4 A	1.0 - 0.6 A	1.0 - 0.5 A	1.2 - 0.6 A
- 120 V CA	0.75 A	0.9 A	1.0 A	1.1 A
Capacità di raffreddamento	da +10 °C a -18 °C (da +50 °F a 0 °F)			
Temperatura ambiente	da +16 °C a +43 °C (da +70 °F a +109 °F)			
Peso - Kg (lb)	20 (45)	22 (50)	24 (54)	27 (60)
Rumore [dbA]	50	50	50	50
Refrigerante - R134a – g (oz)	42 (1.48)	47 (1.66)	56 (1.98)	63 (2.22)
Dimensioni esterne – mm (in) – Figura 18a				
- H1	428 (16.9)	508 (20.0)	428 (16.9)	508 (20.0)
- L1	380 (15.0)	380 (15.0)	450 (17.7)	450 (17.7)
- P1	705 (27.8)	705 (27.8)	845 (33.3)	845 (33.3)
Dimensioni interne – mm (in) – Figura 18b				
- H2	321 (12.6)	401 (15.8)	321 (12.6)	401 (15.8)
- H3	126 (5.0)	206 (8.1)	126 (5.0)	206 (8.1)
- L2	285 (11.2)	285 (11.2)	355 (14.0)	355 (14.0)
- P2	337 (13.3)	337 (13.3)	477 (18.8)	477 (18.8)
- P3	151 (6.0)	151 (6.0)	151 (6.0)	151 (6.0)

Avviso: La capacità di refrigerazione massima è 50°C (122°F) al di sotto della temperatura dell'ambiente. Se la temperatura ambiente è superiore a 32 °C (90 °F) non potrà essere raggiunta la temperatura minima.

Figura 18a

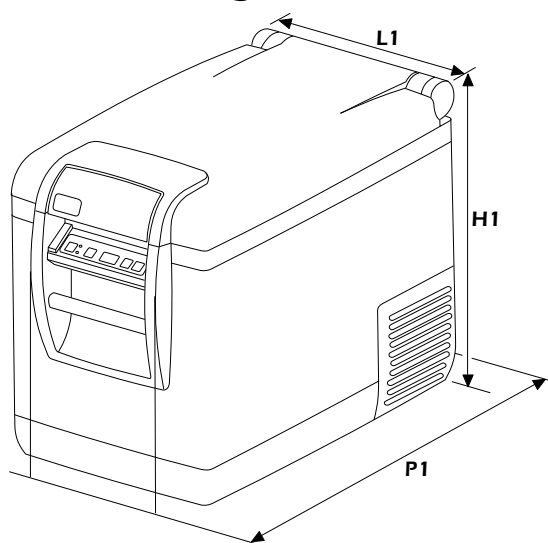
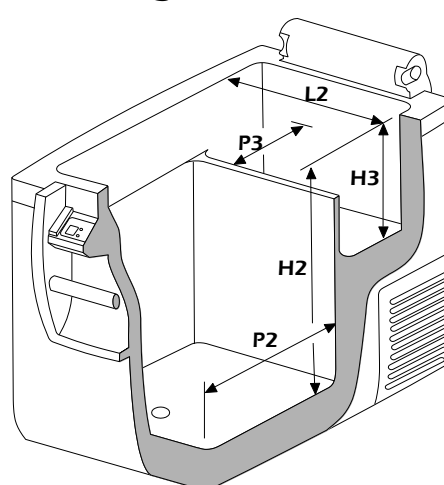


Figura 18b



Questo apparecchio non contiene CFC. Il circuito di raffreddamento contiene R134a. La rimozione o ricarica del refrigerante deve essere eseguita solo da un meccanico specializzato autorizzato.

ARB 4x4 ACCESSORIES

Corporate Head Office

42-44 Garden St
Kilsyth, Victoria
AUSTRALIA
3137

Tel: +61 (3) 9761 6622

Fax: +61 (3) 9761 6807

Australian enquiries
North and South American enquiries
Other international enquiries

sales@arb.com.au
sales@arbusa.com
exports@arb.com.au

www.arb.com.au