



# DRAWER SYSTEMS

Part Number: **MAP21FKEK – For vehicles with no tub liner.**  
**MAP21TLFKEK – For vehicles with Ford genuine tub liner.**

Product Description: **DRAWER FITTING KIT AND SIDE FLOOR SYSTEM**

Suited to Vehicle: **Ford Ranger Dual Cab 2022 on**

## WARNING

- ◆ Care must be taken to ensure the vehicle is not damaged.
- ◆ Some parts of this operation require a 2-person lift.
- ◆ After drilling the vehicles body, it is essential to treat the bare surfaces to prevent rust.
- ◆ This product must be installed exactly as per these instructions using only the hardware supplied
- ◆ These instructions are correct as at the publication date
- ◆ During installation, it is the duty of the installer to check correct operation/clearances of all components
- ◆ Work safely at all times

## ARB 4x4 ACCESSORIES

Corporate Head Office

[www.arb.com.au](http://www.arb.com.au)

42-44 Garden St  
 Kilsyth, Victoria  
 AUSTRALIA 3137


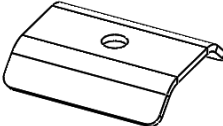

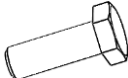






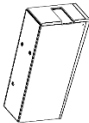
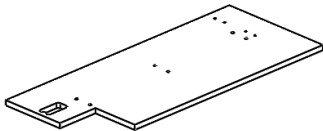
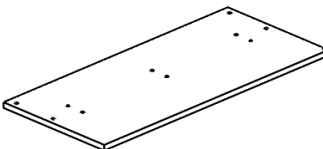
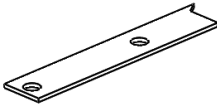

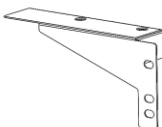
Tel: +61 (3) 9761 6622  
 Fax: +61 (3) 9761 6807

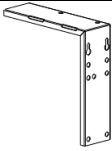

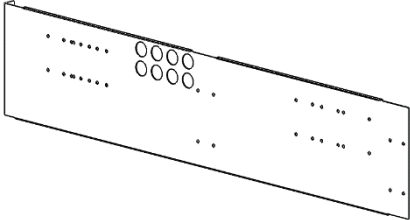
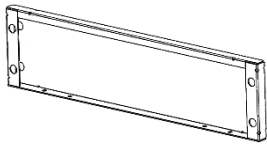
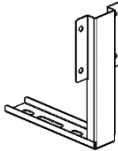
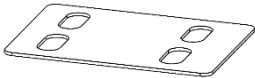
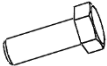


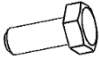




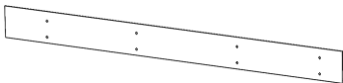
Australian enquiries  
 North & South American enquiries  
 Other international enquiries

[sales@arb.com.au](mailto:sales@arb.com.au)  
[sales@arb.com.au](mailto:sales@arb.com.au)  
[sales@arb.com.au](mailto:sales@arb.com.au)

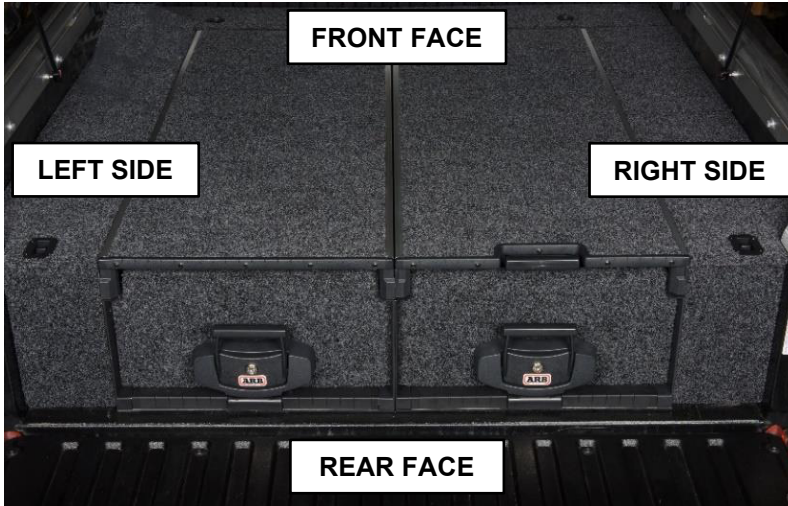
### REQUIRED TOOLS FOR FITMENT OF PRODUCT:

Phillips head screwdriver	Trim removal tools
Spanner set	Socket set
Touch up paint	Ruler / Tape measure
Drill	11mm drill bit
General hand tools	Centre punch
Utility knife	33mm hole saw (Tub liner only)

PARTS LISTING		
PART	QTY	DESCRIPTION
	2	HIGH-PROFILE TOP HAT MOUNT
	8	FLOOR PLATE
	8 (TUB LINER KIT ONLY)	SPACER 30 X 4
	12	BOLT M10 X 30
	12	NUT M10 NYLOC
	12	WASHER M10 FLAT
	24	BOLT M6 X 12
	16	NUT M6 NYLOC
	14	SCREW M6 X 16 (BLACK)
	8	SCREW CSK M6 X 20 (BLACK)
	1 X LH 1 X RH	SIDE FILL PANEL - ASFP
	1 X LH 1 X RH	SIDE FLOOR REAR
	1 X LH 1 X RH	SIDE FLOOR FRONT
	1 X LH 1 X RH	EXTENSION FLOOR
	1	SILL TRIM
	1 X LH 1 X RH	FRONT BRACKET - FBRK

	1 X LH 1 X RH	SIDE BRACKET - SBRK
	2 X LH 2 X RH	EXT. FLOOR BRACKET - EFBRK
<b>PARTS INCLUDED IN SUPPLEMENTARY RFFKADP KIT</b> <i>Required if fitting RF or RFH roller floor</i>		
	1	ADAPTOR PANEL - ADP
	1	BARRIER END PANEL - BEP
	2	ADP SUPPORT BRACKET
	1	PLATE JOINER
	4	BOLT M8 X 25
	4	M8 FLAT WASHER
	4	M8 SPRING WASHER
	4	BOLT M6 X 12
	12	NUT M6 NYLOC
	4	M6 X 12 LOW HEAD SCREW
	4	M6 NYLOC (BLACK)
	12	M6 X 16 SCREW (BLACK)
	1 X TALL 1 X SHORT	CECC CARPET PANEL (SHORT)

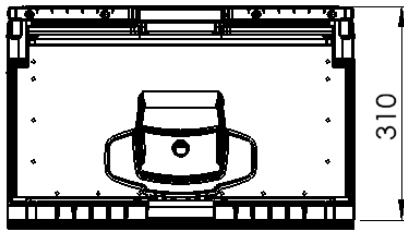
## NAMING CONVENTION FOR DRAWERS



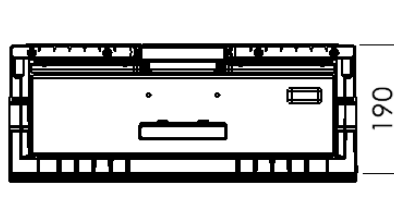
Drawers naming convention is defined from the point of view of the driver.

Front faces of drawers are closest to the front of the vehicle

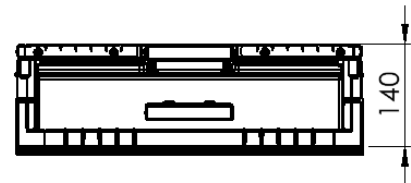
The rear face of the drawers is closest to the tailgate/back of the vehicle.



RD / RDRF / RDK



RFH



RF

Drawer	External height (mm)
RD – ROLLER DRAWER (FIXED TOP)	310
RDRF – ROLLER DRAWER ROLLER FLOOR	310
RDK – ROLLER DRAWER KITCHEN	310
RFH – MID SIZED ROLLER FLOOR	190
RF – ROLLER FLOOR	140

**Section 1: Frame preparation.**

**Section 2: Full height drawer preparation (RD, RDRF and RDK drawers)**

**Section 3: Adaptor panel installation. (RF and RFH drawers)**

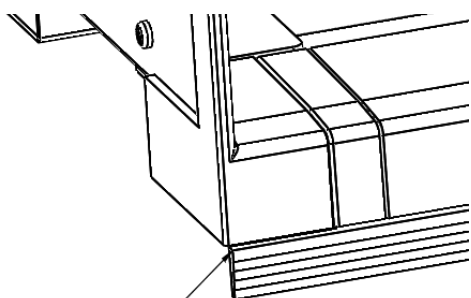
**Section 4: Vehicle preparation.**

**Section 5: Vehicle installation.**

**Section 6: Reassembly.**

**Section 7: Floor panel installation.**

## FRAME PREPARATION



REMOVE LOWER TRIM

### Remove lower trim section.

Lift up the small flap on the lower trim attached to the lower part of the drawer opening. Using a sharp knife cut along the small hinge strip to remove the flap.



### To remove fixed top.

Using a 4mm allen key remove the countersunk setscrews along both sides of the floor.

Retain hardware for reinstallation.



### **Remove roller floor top.**

**Optional:** It's recommended to complete this step for better accessibility

Using a Phillips head screw driver, remove the 4 x screws (2 per side) retaining the roller floor stops.

Roll the floor out clear of frame. The floor stops will fall free.

Retain stops and hardware for reinstallation.



### **Remove full height drawer (RD, RDK, RDRF).**

Working from inside the drawer, remove the 4 x M6 bolts (2 per side) towards the front of the drawer.

Roll the drawer out clear of frame. The drawer stops will fall free.

Retain stops and hardware for reinstallation.

**Note:** for RDK – Roller drawer kitchen, before installing into vehicle the kitchen module must be removed from drawer frame. Follow the fitting instructions supplied with the RDK module.

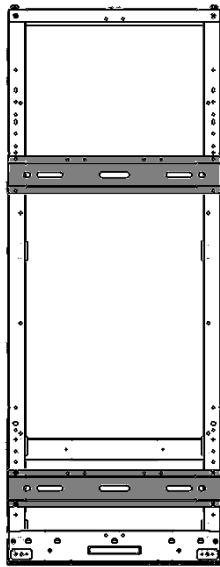


### **Remove half height drawer (RF and RFH).**

With roller floor top removed or extended, use a Phillips head screw driver to remove the 2 drawer stops (1 per side).

Retain stops and hardware for reinstallation.

## FULL HEIGHT DRAWER PREPERATION (RD, RDRF, RDK)



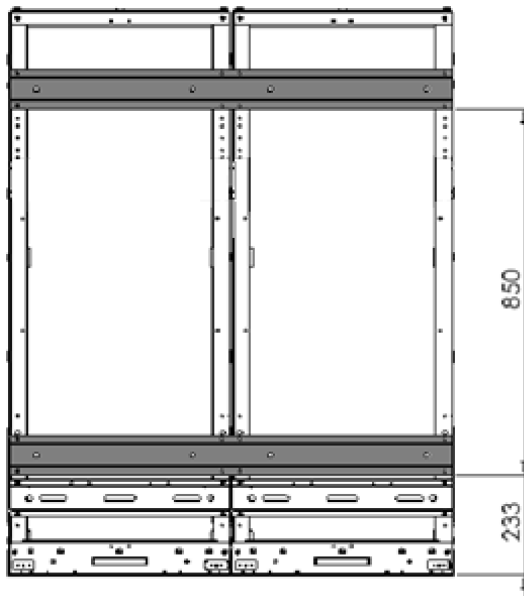
BOTTOM VIEW

For installing an RH or RHF drawer with an adaptor panel (ADP), move to page 8.

### Remove low profile top hat mounts

Removal of low-profile top hat mounts may be necessary to provide clearance for high-profile top hat mounts as shown in next step.

If required, remove one or both of the low-profile top hat mounts by removing the 4 x M6 bolts and nuts.



BOTTOM VIEW

### Attaching mounting brackets.

Attach the 2 high-profile top hat mounts supplied in the kit to the bottom face of the drawer frame.

Position of the top hats over the existing holes as shown in the image opposite.

Dimensions are taken from the rear face of the drawers and the outer flange edge of top hat mounts.

Secure using the 8 x M6 x 12mm bolts and M6 nylock nuts per drawer supplied in the kit.



9Nm / 7lbf.

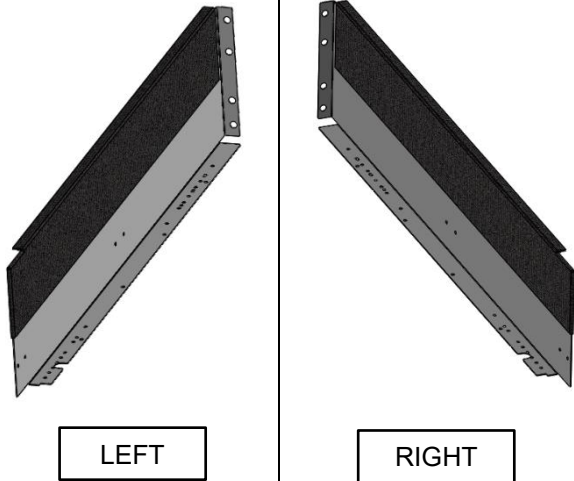
**Note:** loosening of bolts to adjust washers to clear mounting location for high-profile top hats may be required.



### Side floor brackets.

Attach the FBRK and EFBRK brackets to the front of the drawer outer edges. Attach by removing and reusing the 2 upper M8 bolts, washers and spring washers.

## ADAPTOR PANEL INSTALLATION (RF, RFH)



**Confirm which side ADP panel is being installed.**

**If you are not using an ADP panel move to “Vehicle preparation” section on page 13.**

At this point, determine whether the ADP panel is being installed on the left hand or right hand outer edge of the **RF or RFH** roller floor.



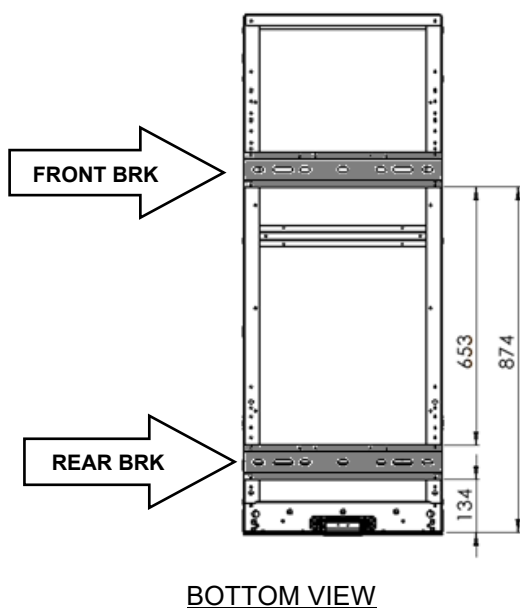
### ADP panel preparation.

Determine whether the ADP panel is being installed with a **RF or RFH** roller floor. When being used with a RFH it is necessary to remove the small perforated strip of carpet (approx. 40mm wide) from the ADP panel to allow the roller floor to operate freely.

You will need a knife to cut the small joins in the perforated strip.

Using a solvent, clean any residual glue from the ADP panel.

**Note:** do not remove this strip when installing a RF roller floor.



### Reposition front low profile top hat mounts.

Remove the required 4 x M6 bolts and nuts securing each low-profile top hat mount to the base of the roller floor module.

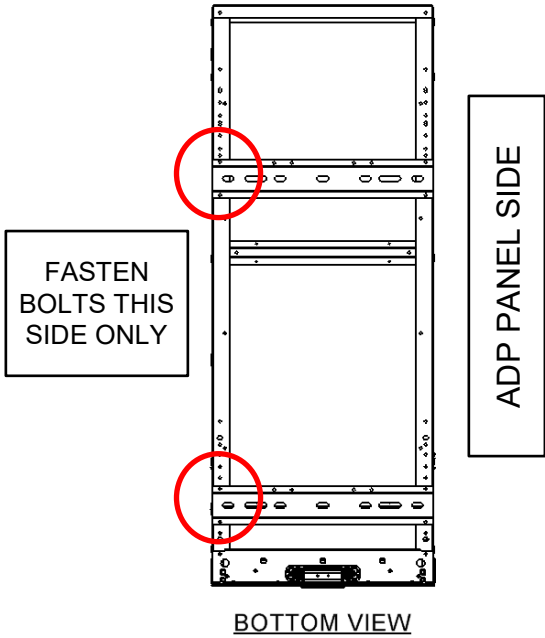
Reposition top hats over the existing holes as shown in the image opposite.

Dimensions are taken from the rear face of the drawers and the outer flange edge of top hat mounts

Retain hardware for reinstallation.

**Note:** may not be necessary to reposition both low-profile top hat mounts.





**Reinstall low profile top hat mounts.**

Install low profile top hat mounts using 2 x M6 bolts per mount from previous step in the two bolt hole locations opposite the ADP panel.

**Note:** Bolts for top hat mounts on ADP panel side of roller floor module are to be installed after ADP panel placement.

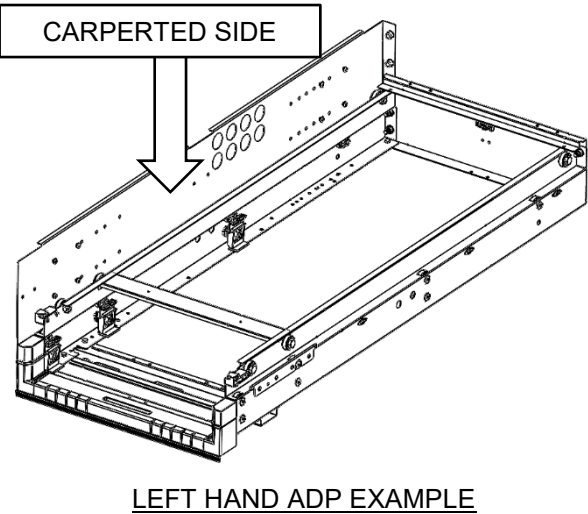
**Note:** Installation of high-profile top hat mounts will be completed later in this section of instructions.



**Remove the M8 bolts from the front face of the roller floor module.**

RF modules have 2 bolts (shown).

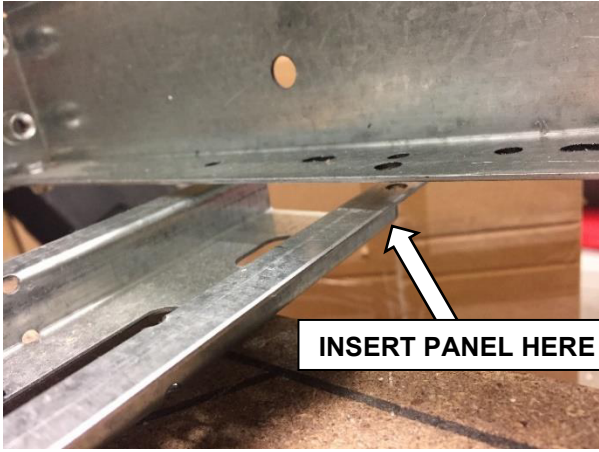
RFH modules have 3 bolts.



**ADP panel placement.**

Place the adaptor panel on the outer edge of the roller floor module that is facing the outside of the vehicle.

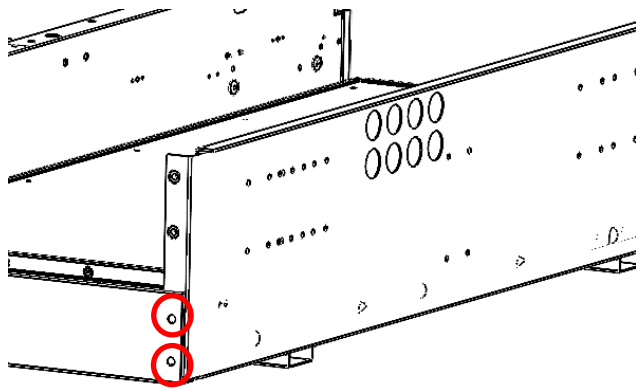
**Note:** carpet face of ADP panel will be facing towards drawers when installed correctly.



### ADP panel placement.

Insert the bottom edge of the adaptor panel between the roller floor module and the top hat brackets.

Secure the panel to the roller floor module by re-installing the 4 x M6 bolt and nuts to the 2 x top hat brackets.

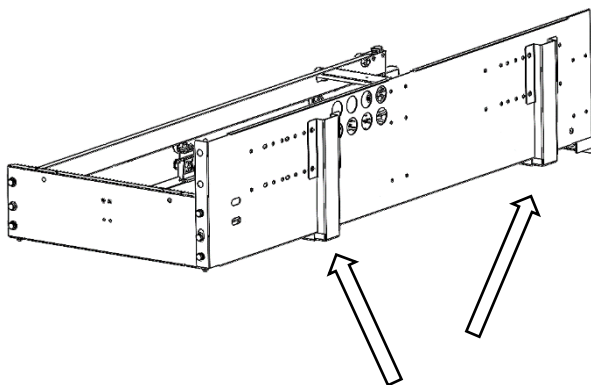


### Refit front face bolts.

Secure the ADP panel to the front face of the drawer with the M8 bolts retained from prior.

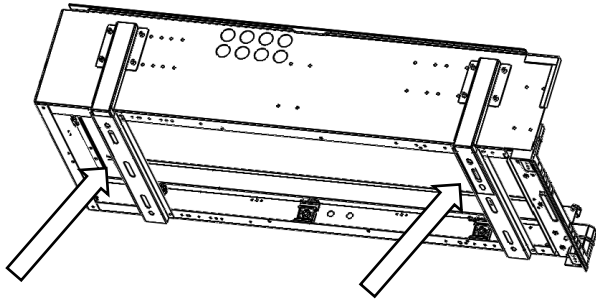
RF modules have 2 bolts.

RFH modules have 3 bolts.



### ADP panel support brackets.

The adaptor panel is supplied with support brackets (DSARB0032) that are to be installed to the outer face of the panel. There will be multiple hole sets so that the support bracket can be aligned with and secured to the low profile top hat brackets that came installed on the base of the module.



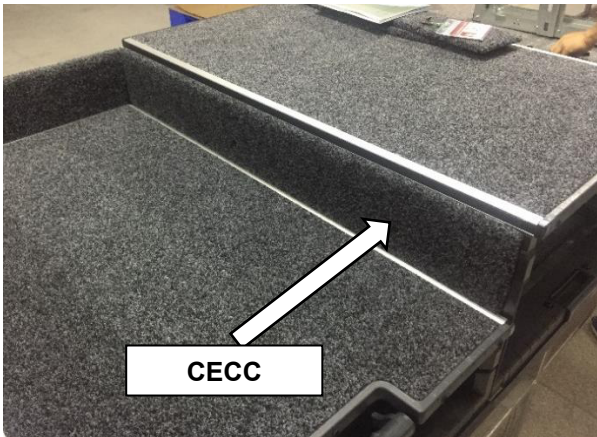
### Position of ADP panel support brackets.

Insert the ADP support brackets inside the low profile top hats in the base of the roller floor module.

Secure each bracket to the ADP panel using 4 x M6 x16 screws (black) per bracket.

Secure each bracket to the corresponding top hat using 1 x M10 x 30 bolt + M10 washer and M10 nut. With the nut on the bottom side of the roller floor module. This will provide clearance for the drawer.

Align brackets with existing holes in ADP panel and piece holes through carpet.



### CECC carpet panel installation.

When using a full height drawer with a roller floor, use CECC panel to trim side of draw module.

Align the holes in the CECC panel with the vacant holes that have a plastic bush inserted on the side of the draw. Secure to the drawer side using M6 x 16 screws and nuts.

When installing the CECC panel with RFH drawer only 4 x M6 x 16 (black) bolts are used in the 4 lower mounting holes only

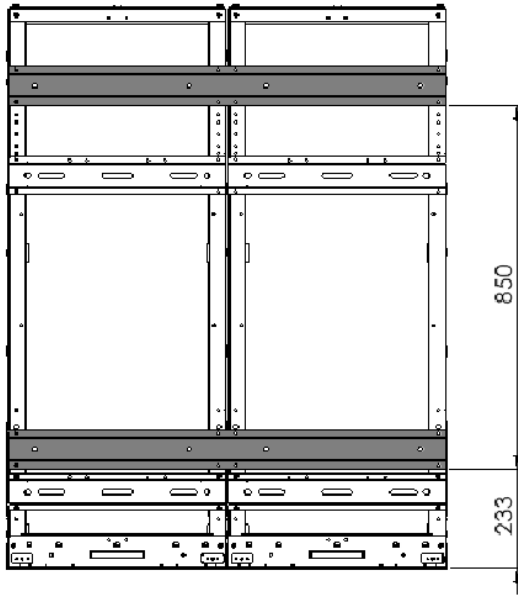
When installing the CECC panel with a Slide Kitchen the orientation of the fasteners is crucial. See next step.



### IMPORTANT note for Slide Kitchen.

When using the CECC panel with a Slide Kitchen ensure that you use the 4 X SHORT M6 x 12 low head screws.

The screw head must be positioned inside the RDK cabinet to provide clearance to the sliding kitchen.



**BOTTOM VIEW**

**Attaching mounting brackets.**

Attach the 2 high-profile top hat mounts supplied in the kit to the bottom face of the drawer frame.

Position of the top hats over the existing holes as shown in the image opposite.

Dimensions are taken from the rear face of the drawers and the outer flange edge of top hat mounts

Secure using the 8 x M6 x 12mm bolts and M6 nylock nuts supplied in the kit per drawer.



9Nm / 7lbft.

**Note:** loosening of bolts to adjust washers to clear mounting location for high-profile top hats may be required

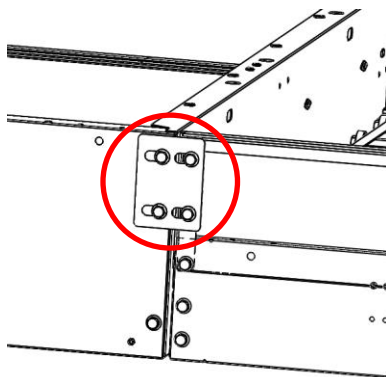


**FBRK bracket, EFBRK bracket and BEP panel.**

Simultaneously install the following to the ADP panel using 2 x M8 bolts, washers and spring washers supplied in the kit.

- 1 x BEP barrier end panel
- 1 x FBRK front floor bracket
- 1 x EFBRK floor extension bracket

**Note:** For RFH roller floor module the suitable BEP panel is supplied in the RFH drawer kit.



**Centre BEP panel and EFBRK bracket.**

Secure the remaining 2 x extension floor brackets to the BEP panel and the other drawer using the centre joiner plate.

Remove the 2 x M8 bolts from the top of the drawer and use 2 x M8 x 25 bolts washers and spring washers from the kit to secure the 2 x EFBRK and the BEP.

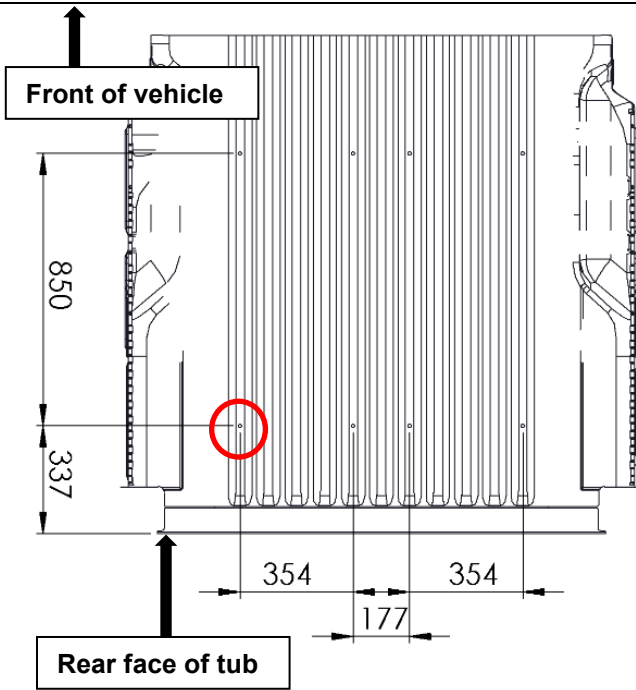
**Note:** If using 2 x roller floors the 2 BEP panels will be joined together.



**Side floor brackets.**

Install 1 x FBRK and 1 x EFBRK to the opposite draw assembly using the 2 x M8 bolts from the top of the drawer

## VEHICLE PREPERATION

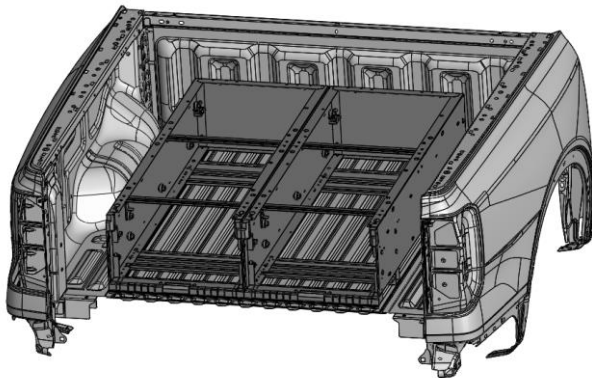


### Marking mounting holes.

Measure from the vertical face at the bottom rear of the vehicle tub.

Measure 337mm from the rear of the vehicle tub, towards the front of vehicle (in line with outer most raised surface of the tub floor) and place a mark.

**All hole locations are to be marked in the centre of the raised surface on the tub floor.**



### Position drawers into vehicle for marking.

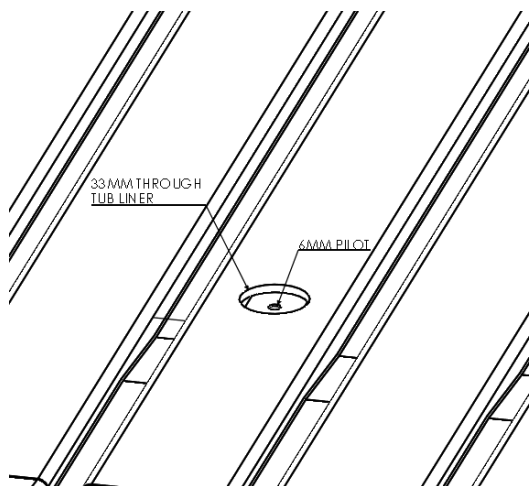
Using 2 people carefully lift the drawer frames into the rear of the vehicle taking care not to scratch the vehicle.

Adjust drawer frames to align hole from high-profile top hat mount with marking in previous step.

Ensure the drawers are centred in the tub and proceed to mark remaining hole locations for drilling.

Using 2 people carefully remove the drawer frames from the vehicle.

**Before proceeding to next step measure and check all markings are located correctly.**



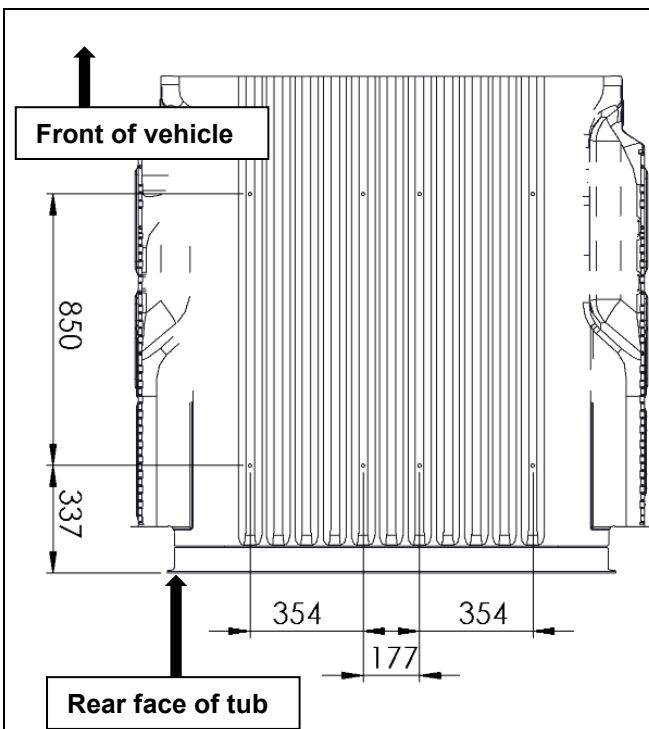
### Tub liner drilling.

**Before drilling any holes check all markings are located correctly.**

When installing drawers to a vehicle with a genuine Ford tub liner it is necessary to drill 8 x 33mm holes in **the tub liner only**.

Using a hole saw drill 33mm diameter holes in the tub liner only – **do not let the hole saw touch the sheet metal tub.**

The 6mm pilot drill of the hole saw can drill through the sheet metal, this will be the centre of the 11mm hole drilled in the next step.



**Drilling mounting holes.**

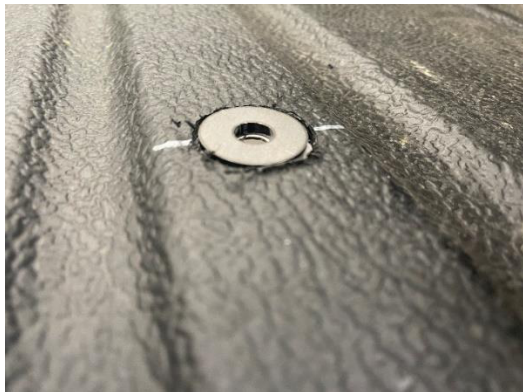
**Before drilling any holes check all markings are located correctly.**

Proceed to drill the 4 x 11mm holes per top hat mount

Drilling through heat shield on underside of tub may be required for correct mounting.

**Note:** treat drilled holes with paint to prevent rust.

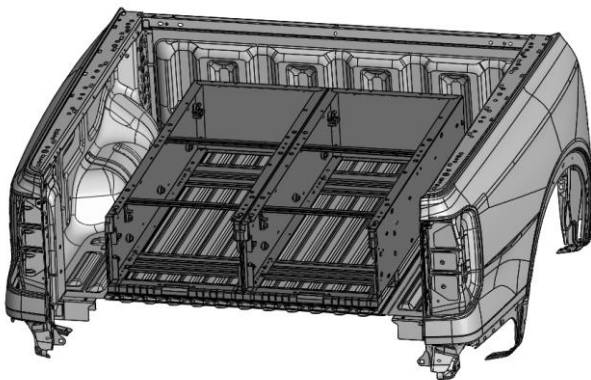
**VEHICLE INSTALLATION**



**Tub liner only.**

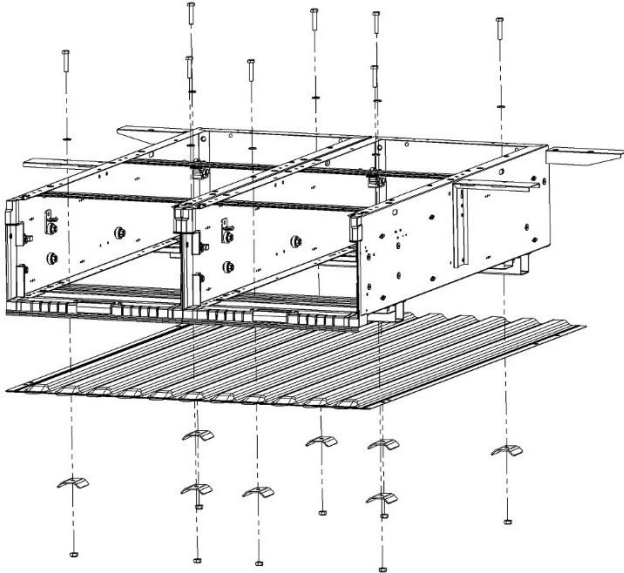
When installing drawers to a vehicle with a tub liner, place a 30 x 4mm spacer into each hole drilled into the tub liner.

**NOTE:** Do not use these spacers if a tub liner is not fitted.



**Install drawers into vehicle.**

Using 2 people carefully lift the drawer frames into the rear of the vehicle taking care not to scratch the vehicle.



### Mounting hardware.

Align the holes in the 2 top hat mounts on the bottom of the drawers with the holes previously drilled in the floor.

Install 8 x M10 x 30mm bolts through the mounts and the floor. Use flat washers under the head of the bolts.

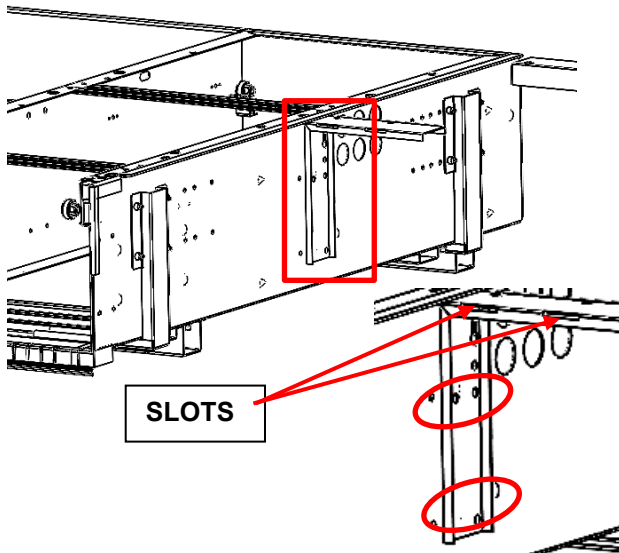
On the underside of the vehicles floor firstly place a contoured floor plate over the bolt and then a M10 nylock nut.

Start all nuts and bolts first, then proceed to tighten all bolts.



44Nm / 32lbft.

**Note:** lowering of spare wheel will provide greater access to mounting locations.



### Side floor bracket installation (RF, RFH).

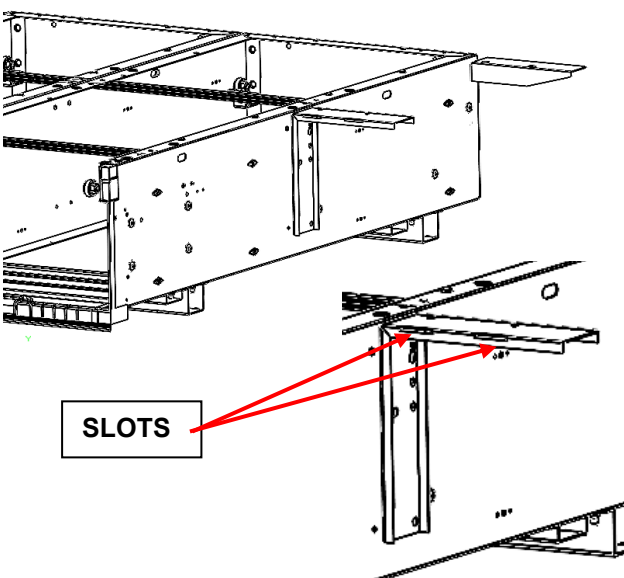
Slots in the top of the side floor brackets (SBRK) face towards drawer opening.

Install side floor support brackets onto side of ADP panel, 4 x M6x16 screws per bracket.



9Nm / 7lbft.

**Note:** for ADP installation, align brackets with existing holes in ADP panel and piece holes through carpet.



### Side floor brackets (RD, RDRF, RDK).

Slots in the top of the side floor brackets (SBRK) face towards drawer opening.

Loosely fasten 2 M6 x 12mm bolts to the captive nuts midway along the drawer frame. Slide the slotted holes of the SBRK over the 2 M6 bolts.

From inside the cabinet insert another 2 x M6 x 12mm bolts into the lower holes in the SBRK.

Tighten all 4 bolts.



9Nm / 7lbft.

**Note:** for RDK – Roller drawer kitchen module reassembly. Follow the fitting instructions supplied with the RDK module



**Side fill panels.**

Position Side Fill Panel (ASFP) onto outside of drawer module. Secure the panel using 3 black M6 x 16mm phillips head screws supplied in kit.

For roller floor modules its only necessary to install the top 2 x M6 16mm screws.

**Note:** for ADP installation, align brackets with existing holes in ADP panel and piece holes through carpet.

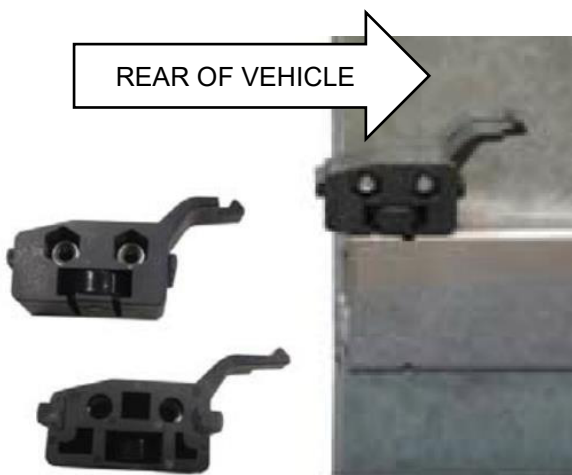


**Sill trim.**

Insert carpeted sill trim under drawers and position it so that the small face with the nutserts is behind the ASFP panels.

Secure the sill trim using 4 x M6 x 16 (black) phillips head screws through the ASFP panels.

**REASSEMBLY**



**Reassembly of full height drawer.**

Roll the drawers into the frame past the second bearing. Position drawer stops on top of the bearing rail on drawer body. Secure using original bolts.

Drawer stops are left and right-handed. Note that the tail on the drawer stop faces the rear of the vehicle.

**Note:** for Roller Drawer Kitchen (RDK), follow the fitting instructions supplied with the kitchen module for reassembly.





### Reassembly of roller floor top.

Refit the roller floor into the drawer frame past the second bearing. Slide stops into place from the front end of the drawer. The bearings on the stops face the inside of the drawer.

Access holes are provided in the drawer frames to allow access to the screws.



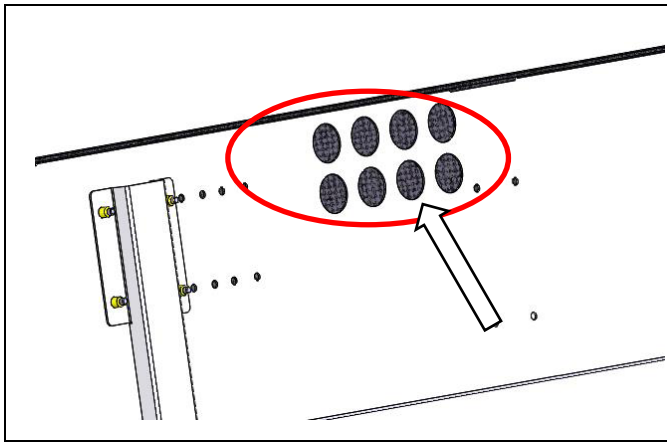
### Reassembly of half height drawer.

With roller floor top removed or extended, use a Phillips head screw driver to reinstall the 2 drawer stops (1 per side).



### Reassembly of fixed top.

Using a 4mm allen key secure the floor using the countersunk setscrews along both sides of the floor.



**Ventilation holes.**

If installing a fridge to the roller floor, it may be necessary to create extra ventilation if the fridges minimum clearances are not met.

This can be achieved by cutting the carpet out of the pre-cut holes in the adaptor panel.

**FLOOR PANEL INSTALLATION**



**Extension floor installation.**

Install the extension floor panels to the brackets on the front end of the drawers.



**Fixed side floor.**

Fasten fixed side floor section to the FBRK and SBRK brackets using 4 x black countersunk screws supplied in the kit.



**Removable side floor installation.**

Slide the locator clips into the SBRK bracket and then fasten the rear end down using the latch.