

SUZUKI JIMNY FK/IK 18+

ROLLER DRAWER INSTALLATION TO ADR 34/02
RDRF790 Series: Vehicle specific instruction and drawing
Side Floor Kit & Install kit included in SJFKIK18

NOTE:

Do not elongate any holes
Read and understand all instructions before proceeding

Throughout these instructions rear refers to rear of vehicle front refers to front of vehicle.

INSTRUCTIONS ARE AVAILIABLE FROM ARB STOCKISTS.

SECTION 1:- FRAME PREPERATIONGeneral Instructions- Supplied In Drawer Module

SECTION 2:- VEHICLE SPECIFIC INSTALLATION This Instruction

SECTION 3:- REASSEMBLY General Instructions- Supplied In Drawer Module

2) VEHICLE SPECIFIC INSTALLATION:

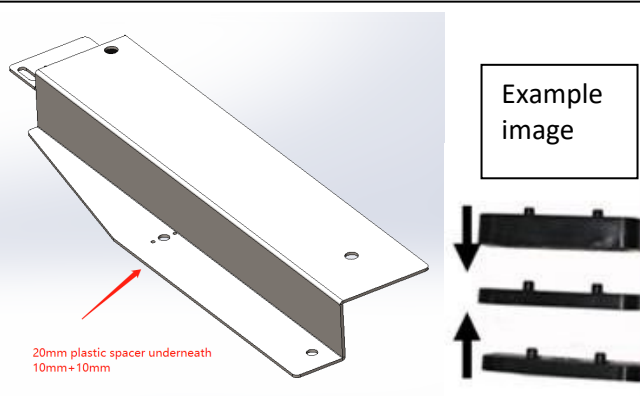
– Ensure you have completed General Instructions Section One – Frame preparation and removed the drawer before following this vehicle specific instruction.
The General instructions are supplied with the Outback Solutions Drawer Modules and are also available from your ARB stockist.

2.01/- Remove the rear seats and long plastic box towards the rear of the cargo area. Lift the carpeted floor panel to expose the container with the Jack and tools, remove the jack and tools and make sure these items are returned to the new drawer. Replace carpeted floor panel.
Locate and identify the 6 x seat mounting holes that will be used to install the base brackets. Please note the mounting holes marked with red circle are all M10 fine threads.



2.02/- Remove the 2 mounting brackets from the installation kit. Identify left and right brackets.

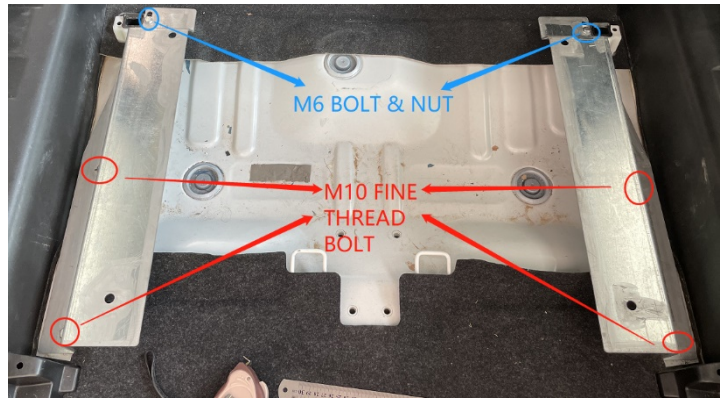
Add a 20mm plastic spacer (2 x 10mm spacers) underneath the brackets between the vehicle and bracket in the location shown opposite. Install the mounting brackets into the vehicle aligning to the holes shown in previous step.



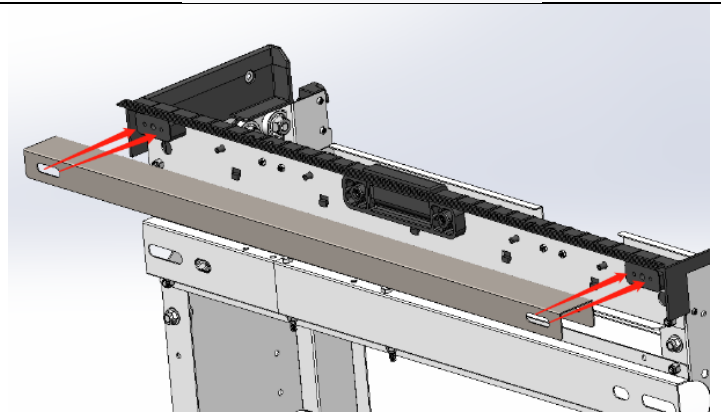
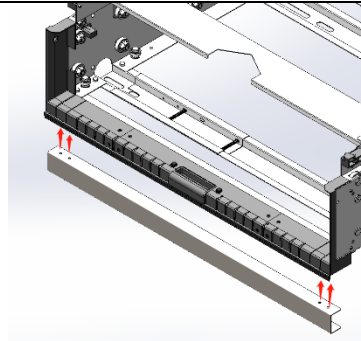
Vehicle Specific Instructions

2.03/- Attach the mounting brackets to the floor with the appropriate hardware supplied.

Note orientation of the brackets in image. Tapered edge is facing to the front of the Vehicle.

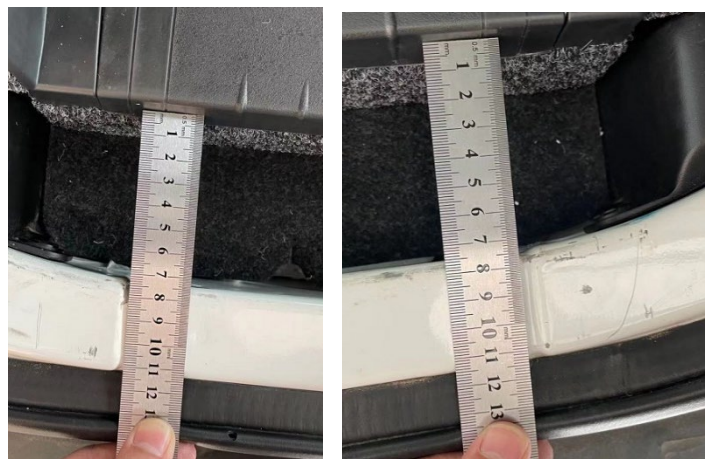


2.04/- Attach the carpeted trim panel to the spacers in the bottom of the drawer front using the self-tapping screws included.



2.05/- Place drawer in rear of vehicle
Align 4 holes on the drawer mounting brackets with the 4 holes in the vehicles bracket.

Prior to securing the drawer set the distance from the plastic trim cover to the door edge to 75mm. Measure at on both sides as in images.



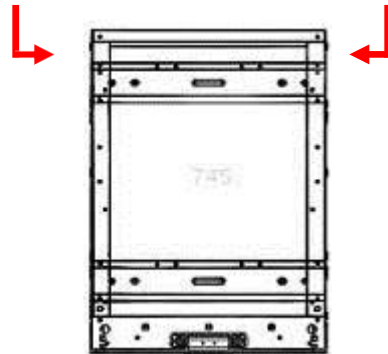
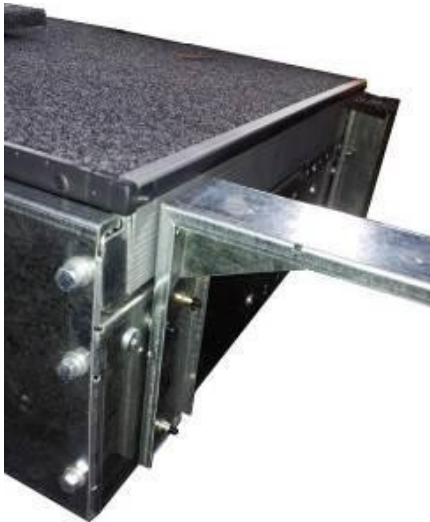
Vehicle Specific Instructions

2.06/- Side Fill Panel fastening:
Fasten Side Fill Panel to outside of bearing channel using three (3) 6mm x20mm black round head set screws.

First fasten through top hole in plastic fascia panel into captive nut in Side Fill Panel. Second, fasten through holes in outside bearing channel located top and bottom of front bearings.



2.07/- Fit left and right "L" support brackets the left and right front corners of the drawer assembly. Fasten with 3X M6 hex head bolts from inside the drawer assembly. Ensure slots for floor cleats face the rear of the vehicle.



Vehicle Specific Instructions

2.08/-Fit side floors.

The front cleats on the underside of the floor will engage in slots in the "L" support brackets.



2.9/- Return to General instructions section 3 to complete the installation and refit the drawer. The General instructions are supplied with the Outback Solutions Drawer Modules and are also available from your ARB stockist.

If for any reason you wish to cover the exposed front metal section behind rear seats, please purchase part No#: CKIT from your nearest ARB dealer and use adhesive to attach spare carpet kit.