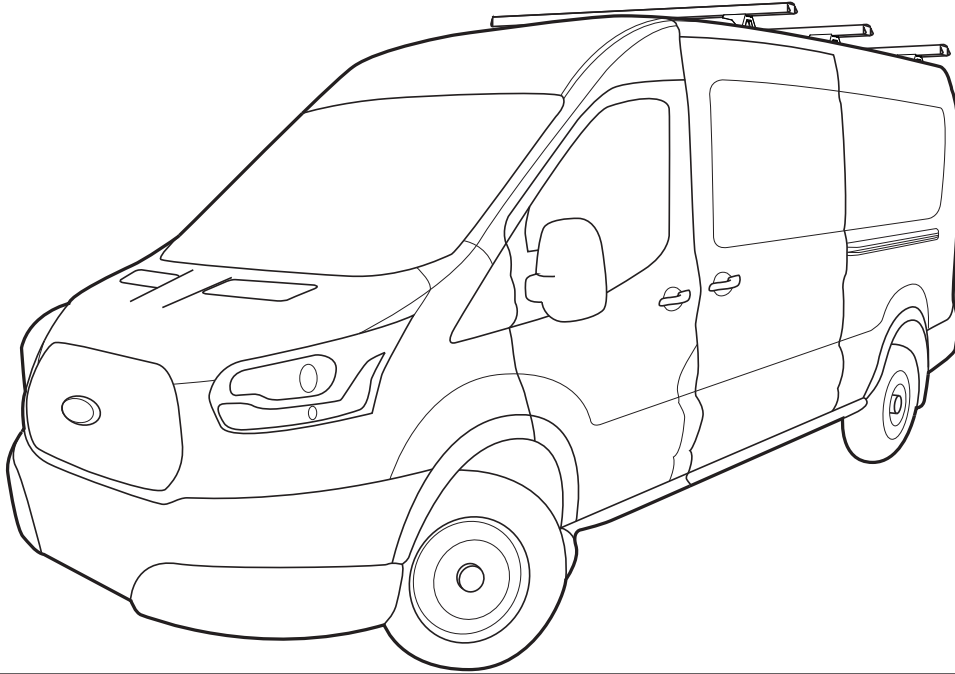




RHINO-RACK

Ford Transit RLTPFC

Important: Please read these instructions carefully prior to and during installation.
Check the contents of kit before commencing fitment and report any discrepancies.



Clean roof prior to installation.

Important Information

Maximum carrying capacity: Up to 100kg. Evenly distributed over the crossbars.

It is essential that all bolt connections be checked after driving a short distance when you first install your crossbars. Bolt connections should be checked again at regular intervals (probably once a week is enough, depending on road conditions, usage, loads and distances travelled). You should also check the crossbars each time they are re-fitted. Make sure to fasten your load securely. Ensure all loads are evenly distributed and centre of gravity is kept as low as possible.

Use only non-stretch fastening ropes or straps.

Caution: The handling characteristics of the vehicle changes when you transport a load on the roof. For safety reasons we recommend you exercise extreme care when transporting wind-resistant loads. Special consideration must be taken into account when cornering and braking.

Please remove crossbars when putting vehicle through an automatic car wash.

Load ratings:

Maximum permissible load for system is up to 100kg per pair of crossbars. When crossbars are to be used in off-road conditions, please build a safety factor of 1.5 into this load limit. Although the crossbars are tested and approved to AS1235-2000, off-road conditions can be much more rigorous. However, increasing the number of crossbars does not increase the vehicles maximum permissible roof loading.

Note for Dealers and Fitters:

It is your responsibility to ensure instructions are given to the end user or client.

Rhino-Rack
3 Pike Street, Rydalmere,
NSW 2116, Australia.
(Ph) (02) 9638 4744
(Fax) (02) 9638 4822

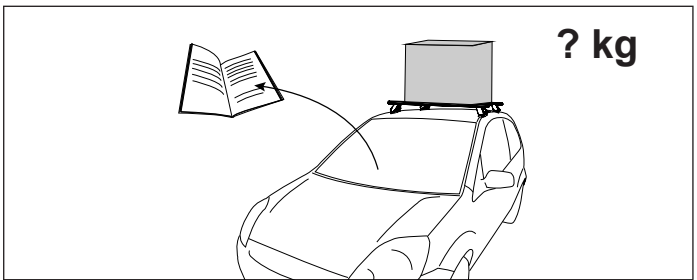
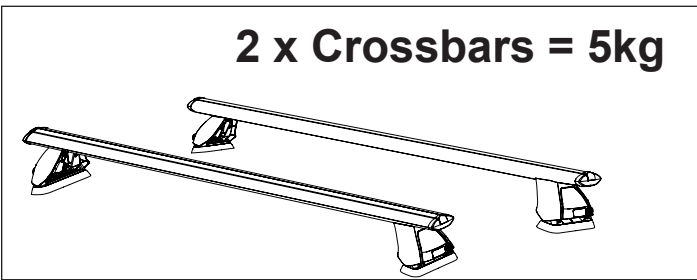
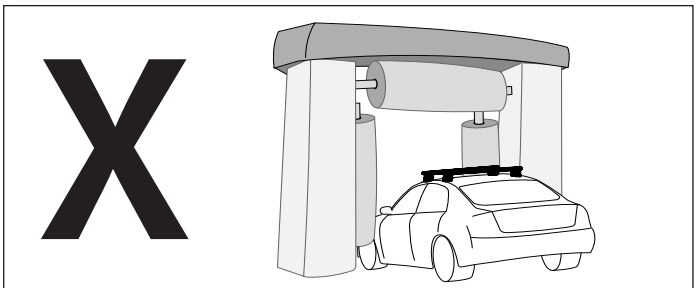
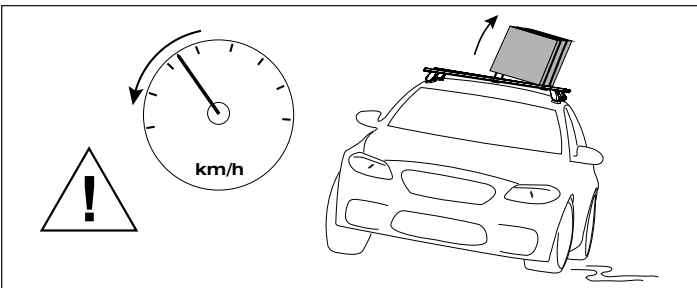
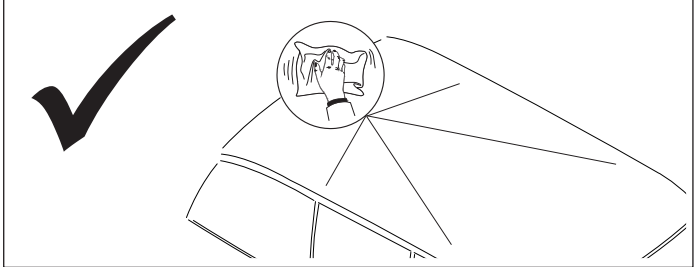
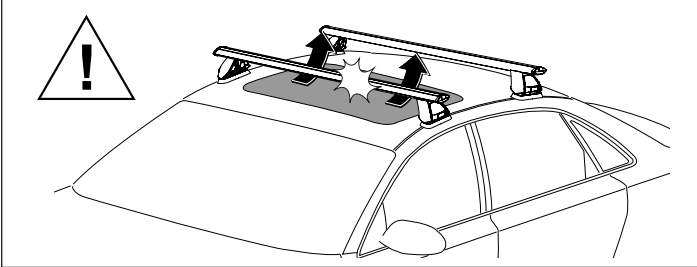
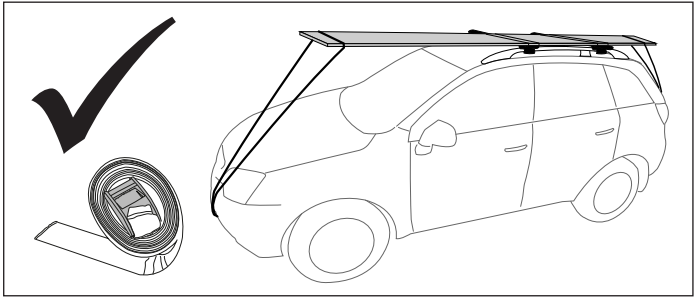
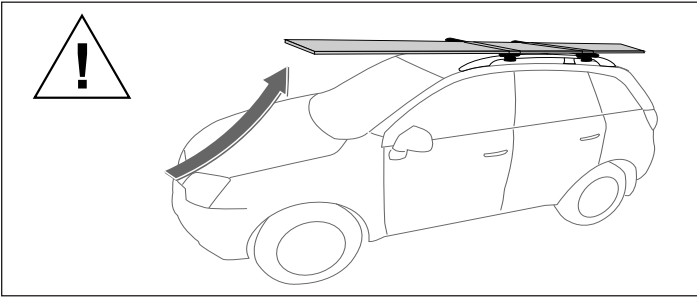
Document No: R574
Prepared By: Kayle Everett
Authorised By: Chris Murty

Issue No: 01
Issue Date: 17/12/14

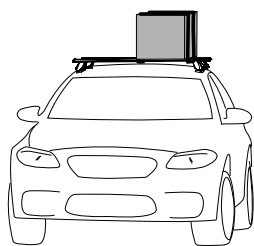
These instructions remain the property of Rhino-Rack Australia Pty. Ltd. and may not be used or changed for any other purpose than intended.



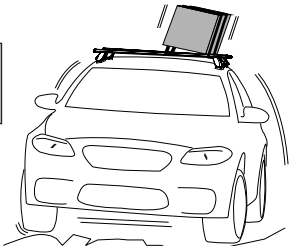
Ford Transit RLTPFC



When these roof racks are to be used on a vehicle that is driven off sealed roads, the manufacturer maximum roof load rating (to be found in the vehicles User Manual) should be **divided by 1.5**. Do not forget to subtract 5kg from your maximum carrying capacity due to the weight of the crossbars and legs.

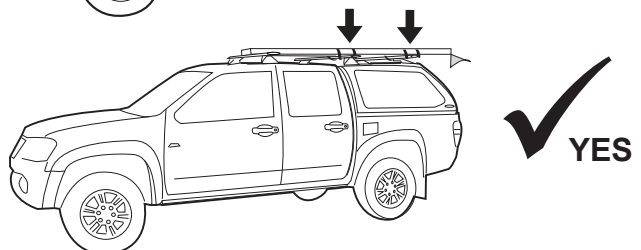
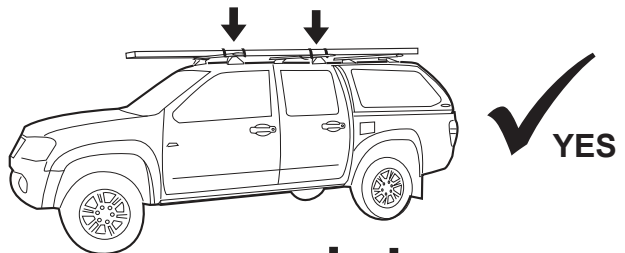
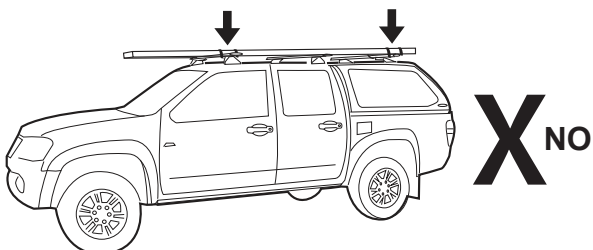


$$100\text{kg load rating (Urban road)} = 67\text{ kg load rating (Off road - 50kg / 1.5)}$$



WARNING! Important Load Carrying Instructions

With utility vehicles, the cabin and the canopy move independently. Roof racks and vehicle can be damaged if the item transported is rigidly fixed at points on both the cabin and canopy. Instead, rigidly fix to either the cabin roof racks or the canopy roof racks.





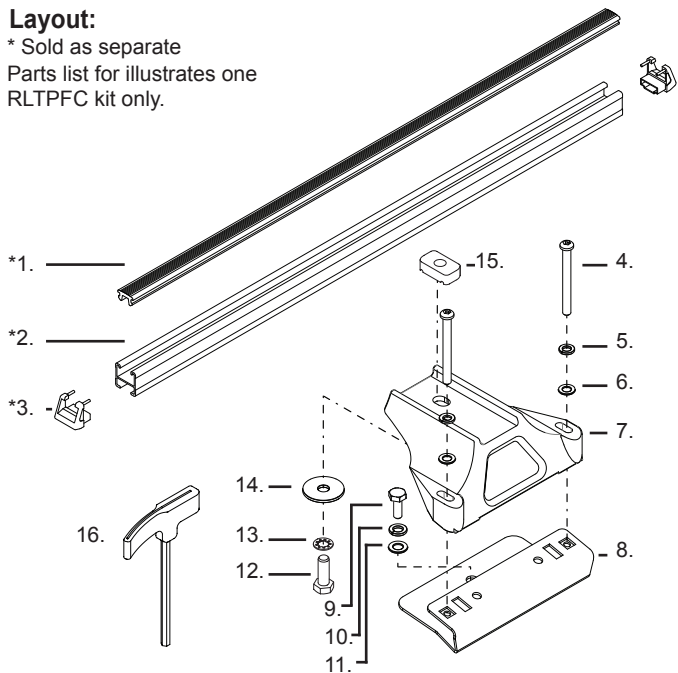
Ford Transit RLTPFC

Parts List

Item	Component Name	Qty	Part No.
*1	Crossbar Rubber	1	R008
*2	Heavy Duty Crossbar 1800	1	A024
*3	End Cap	2	M002
4	M6 x 45mm Button Security Screw	4	B091
5	M6 Spring Washer	4	W004
6	M6 x 12.5mm Flat Washer	4	W003
7	RLTP Trackmount Leg	2	M057
8	Ford Transit Cargo Bracket	2	CA1374
9	M8 x 25 Hex Setcrew	2	B169
10	M8 Spring Washer	2	W019
11	M8 x 17 Flat Washer	2	W020
12	M10 x 20 Hex Setscrew	2	B003
13	M10 Internal S/Proof Washer	2	W021
14	M10 x 38 x 2.5 Flat Washer	2	W022
15	M10 Channel Nut	2	N024
16	Torque Security Key Short	1	TORKEY-S
17	Instructions	1	R574

Layout:

* Sold as separate
Parts list for illustrates one
RLTPFC kit only.



Tools required

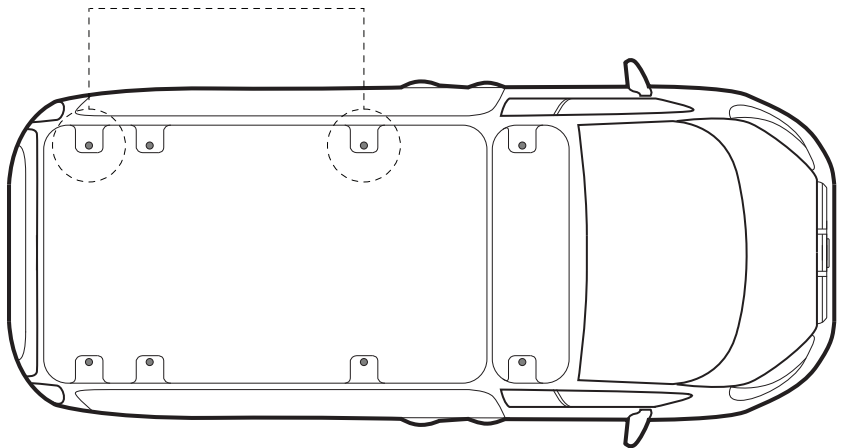
- Small Flat Blade Screw driver - Socket Wrench
- Knife
- Dremel

Important information

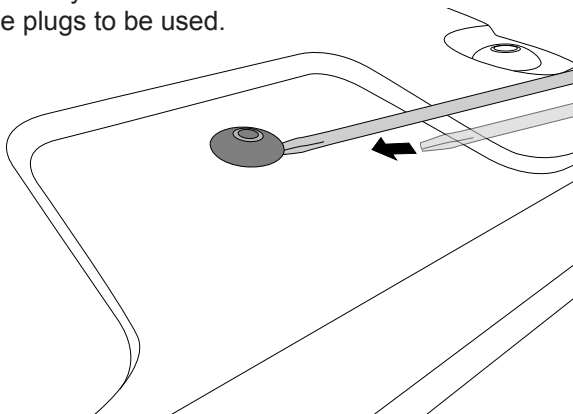
Parts list shown for one RLTPFC kit only. Additional kit required for more that two crossbars. Crossbars sold as separate.

Instructions

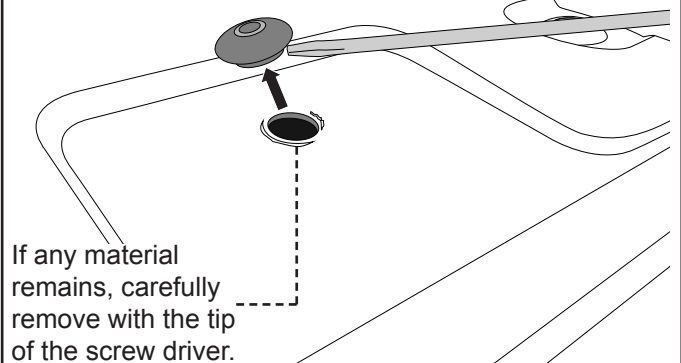
- 1 Move to the roof of the vehicle and locate the plastic plugs pictured. For a two bar system the plugs closest to the rear and second from the front will be used.



- 2 Carefully slide a flat blade screw driver under the plugs to be used.



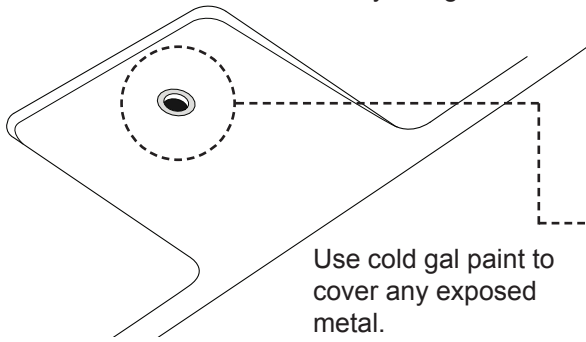
- 3 Pry the plastic plugs off (store in a safe place). This will expose the thread below.



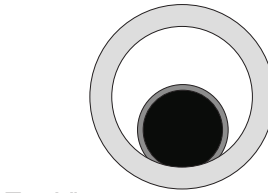


Ford Transit RLTPFC

4 Due to differences in manufacturing, it is possible for the access hole to be positioned over the thread below. If this is the case, carefully elongate the access hole with a dremel.

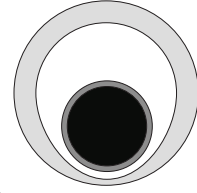


Access to thread is obscured.



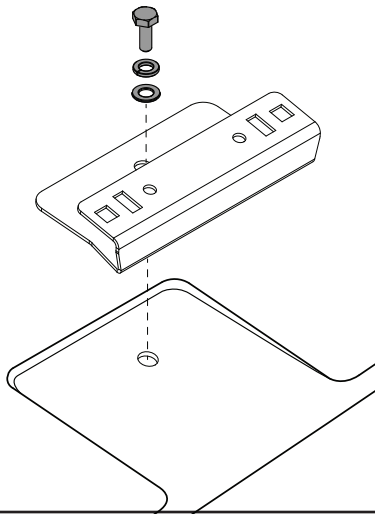
Top View:

Use Dremel to open up access to the thread below.



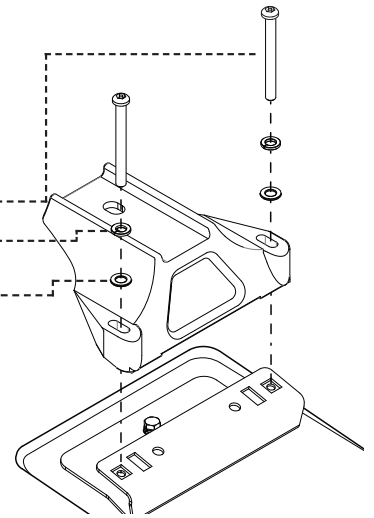
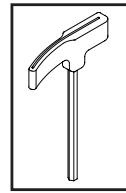
Top View:

5 Place the Ford Transit Bracket over the newly revealed thread. Fix in place with an M8x25 bolt, spring and flat washer. Tighten with a 10mm socket wrench.

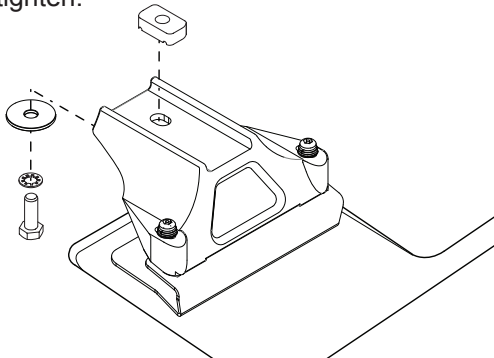


6 Place crossbar leg onto the bracket and fix in place with the hardware provided.

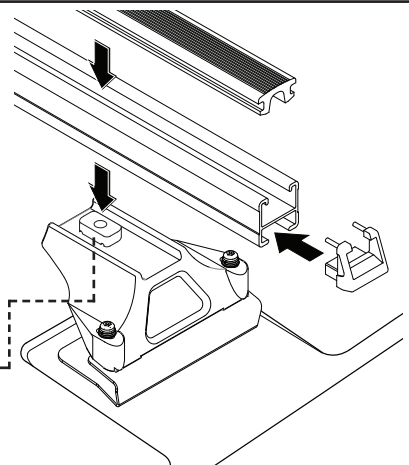
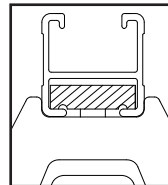
M6 Button Screw
M6 Spring
Washer
M6 Flat washer



7 Fix the M10 channel nut in place with an M10 hex screw, M10 shake proof and flat washer. Finger tighten.



8 Fix the crossbar to the leg. Locate the channel across the bar. Finger tighten. Insert rubber and end caps.



9 Tighten all legs to bracket attachment bolts. Ensure the crossbar overhang (A) (B) is equal on both sides, re-adjust if required. Tighten all crossbar attachment bolts to 4-5Nm. **Do not over tighten.**

