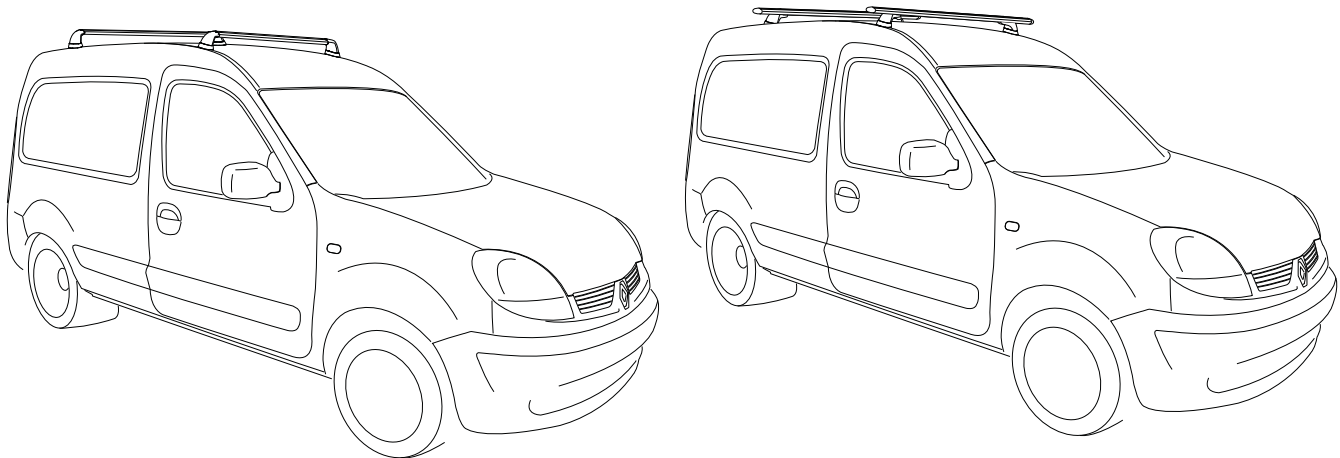


CONTROLLED

RHINO-RACK

RCP08-BK -Two Bar System, VW Caddy, VW Caddy Maxi. Renault Kangoo

Important: Please read these instructions carefully prior to installation.
Please refer to your fitting instruction to ensure that the roof racks are installed in the correct locations.
Check the contents of kit before commencing fitment and report any discrepancies



Note: Crossbars and legs sold as separate.

Important Information

1. Check Part No./Kit is correct
2. Read through instruction before installing
3. Fit roof rack accessory
4. Check and recheck all fasteners are secure

Maximum carrying capacity: VW Caddy/Caddy Maxi 100kg/220lbs. Evenly distributed over the crossbars.

Renault Kangoo/Nissan Kubistar 80kg/176lbs. Evenly distributed over the crossbars.

Note: Be sure to check the Rhino-Rack website to see if you have the latest version of instructions before beginning installation. Recommendations:

It is essential that all bolt connections be checked after driving a short distance when you first install your crossbars. Bolt connections should be checked again at regular intervals (probably once a week is enough, depending on road conditions, usage, loads and distances travelled). You should also check the crossbars each time they are re-fitted.

Make sure to fasten your load securely. Ensure all loads are evenly distributed and centre of gravity is kept as low as possible.

Use only non-stretch fastening ropes or straps.

Caution: The handling characteristics of the vehicle changes when you transport a load on the roof. For safety reasons we recommend you exercise extreme care when transporting wind-resistant loads. Special consideration must be taken into account when cornering and braking.

Please remove crossbars when putting vehicle through an automatic car wash.

Load ratings:

Maximum permissible load for Caddy Maxi and Caddy is 100kg per pair of crossbars, for Kangoo/Kubistar is 80kg. When crossbars are to be used in off-road conditions, please build a safety factor of 1.5 into this load limit. **67kg/147lbs** for Caddy/Caddy Maxi. **53kg/116** for Kangoo/Kubistar. Although the crossbars are tested and approved to AS1235-2000, off-road conditions can be much more rigorous. However, increasing the number of crossbars does not increase the vehicles maximum permissible roof loading.

Note for Dealers and Fitters:

It is your responsibility to ensure instructions are given to the end user or client.

Rhino-Rack
3 Pike Street, Rydalmere,
NSW 2116, Australia.
(Ph) (02) 9638 4744
(Fax) (02) 9638 4822

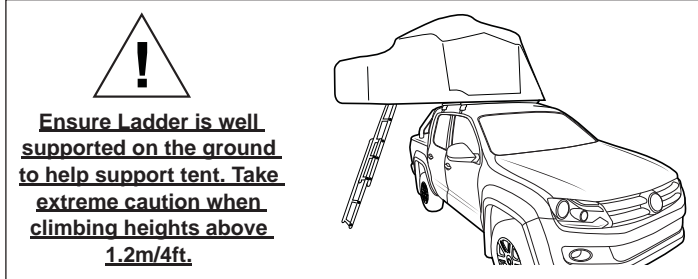
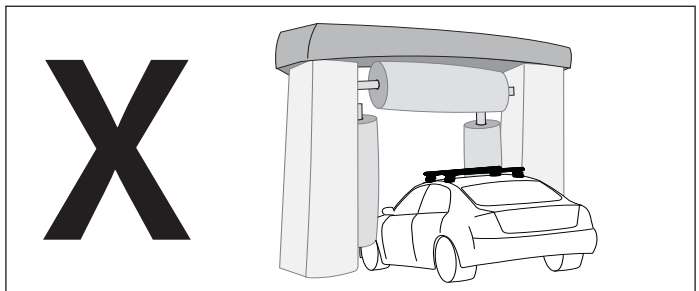
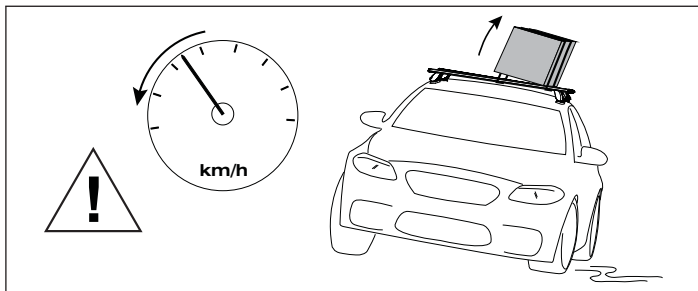
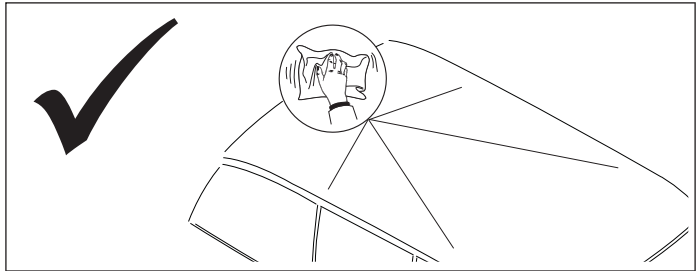
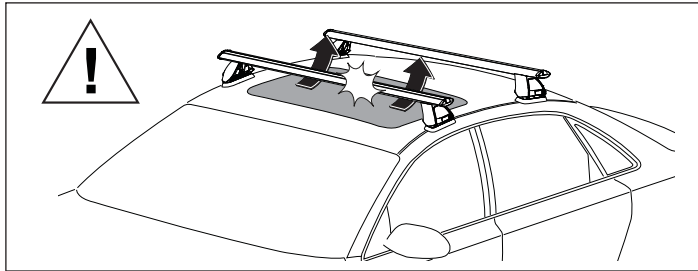
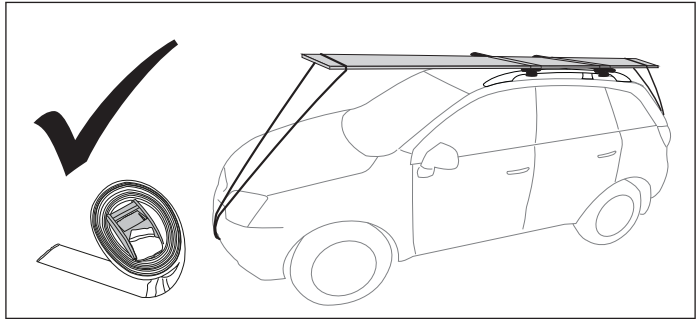
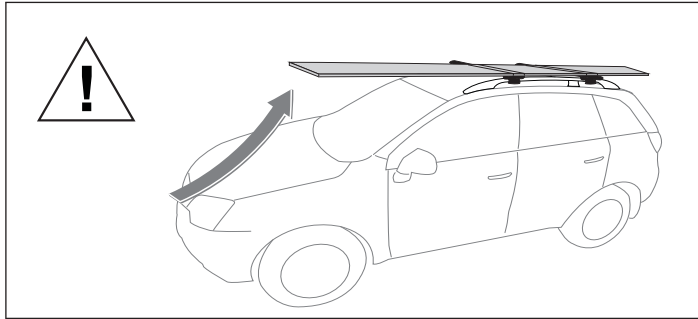
Document No: R1317
Prepared By: Kayle Everett
Authorised By: Chris Murty

Fit Time: 30min
Issue No: 01
Issue Date: 03/04/2017

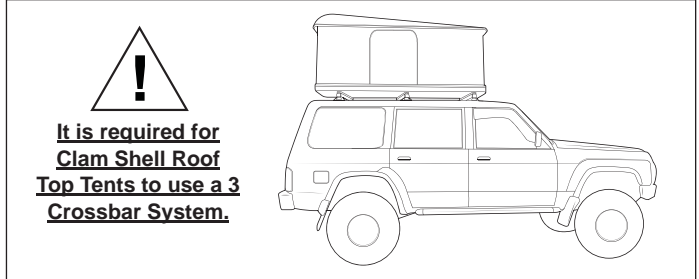
These instructions remain the property of Rhino-Rack Australia Pty. Ltd. and may not be used or changed for any other purpose than intended.



RCP08-BK -Two Bar System, VW Caddy, VW Caddy Maxi. Renault Kangoo

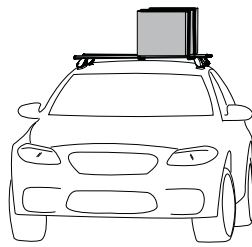


Ensure Ladder is well supported on the ground to help support tent. Take extreme caution when climbing heights above 1.2m/4ft.



It is required for Clam Shell Roof Top Tents to use a 3 Crossbar System.

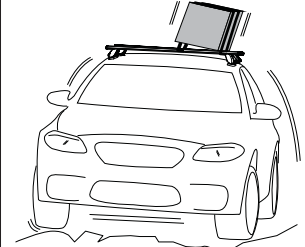
When these roof racks are to be used on a vehicle that is driven off sealed roads the maximum load rating must be divided by 1.5. Remember to subtract the weight of the roof racks to determine your maximum permissible load capacity.



VW Cadi/Maxi
100kg (220lbs)
load rating (Urban road)
67kg/147lbs (Off road)

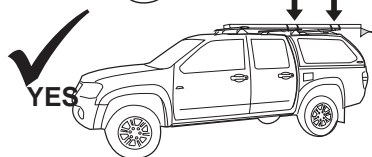
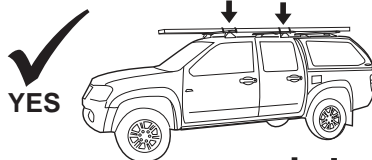
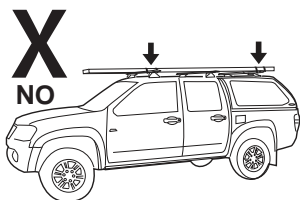
Load rating not taking into account crossbar weight - 5kg

Renault Kangoo
80kg (176lbs)
load rating (Urban road)
53kg/116lbs (Off road)

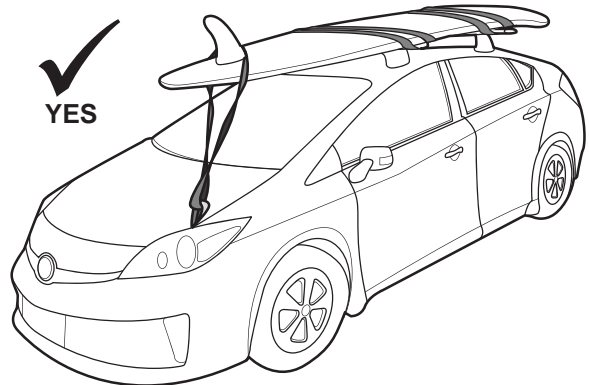


WARNING! Important Load Carrying Instructions

With utility vehicles, the cabin and the canopy move independently. Roof racks and vehicle can be damaged if the item transported is rigidly fixed at points on both the cabin and canopy. Instead, rigidly fix to either the cabin roof racks or the canopy roof racks.



Paddle/ Surfboards should be fixed to the front of the vehicle.

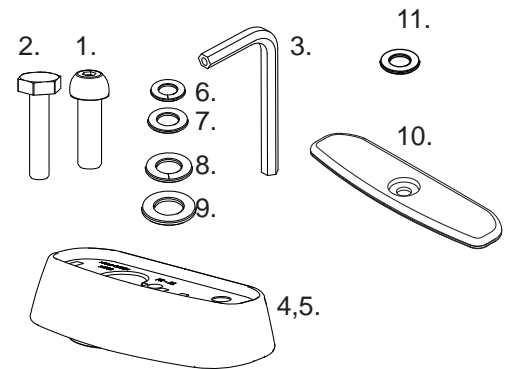




RCP08-BK -Two Bar System, VW Caddy, VW Caddy Maxi. Renault Kangoo

Parts List

Item	Component Name	1 Bar	2 Bar	Part No.
1	M8 x 25mm Button Head Bolt	2	4	B140
2	M6 x 30mm Hex Setscrew	2	4	B202
3	6mm Security Allen Key	1	1	H021
4	VW Caddy Front LH/Rear RH Pad	1	2	M187
5	VW Caddy Front RH/Rear LH Pad	1	2	M188
6	M6 Spring Washer	2	4	W004
7	M6 x 16mm Flat Washer	2	4	W031
8	M8 Spring Washer	2	4	W019
9	M8 Flat Washer	2	4	W030
10	Mount Pad Cover Plate	2	4	M126
11	M6 Washer (used on cover plate)	2	4	W003
12	Instructions	1	1	R1317

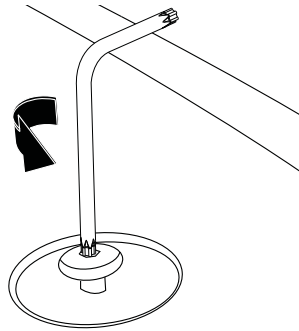


Tool Required: Allen Key (provided). Phillips Head Screwdriver. Torx T27 Key.

Instructions

1

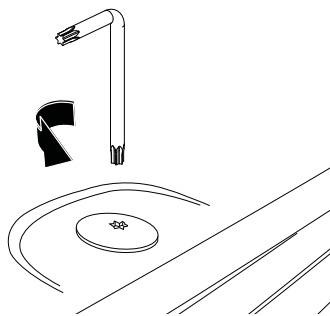
VW Caddy
VW Caddy Maxi



VW Caddy/Caddy Maxi

Remove the roof plugs using Torque Security key provided. Store the screws for replacement when racks are removed.

Renault Kangoo
Nissan Kubistar



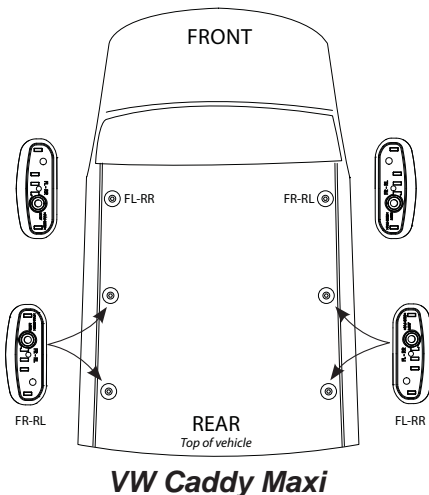
Renault Kangoo

Remove the roof plugs using Torques drive. Store the screws for replacement when racks are removed.

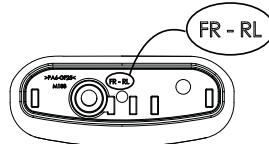
2

Roof pad orientation 2 bar system.

The top surface of the pads have FR-RL and FL-RR marked on them.

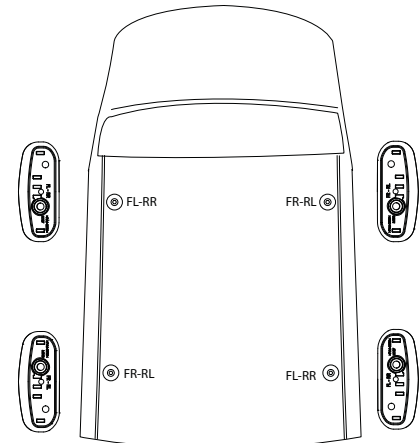


VW Caddy Maxi



FR - RL = Front Right.
FR - RL = Rear Left.
FL - RR = Front Left.
FL - RR = Rear Right.

VW Caddy Maxi: When fitting a 2 bar system use FRONT mount point and either MIDDLE or REAR mount point. This depends on length of load being carried.

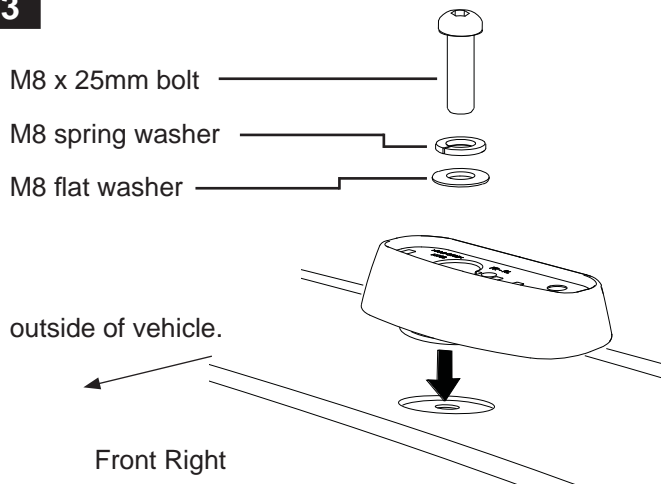


Renault Kangoo, VW Caddy



RCP08-BK -Two Bar System, VW Caddy, VW Caddy Maxi. Renault Kangoo

3



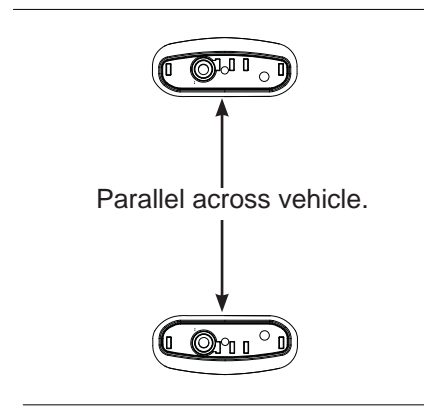
Fit pads to roof.

Insert the M8 bolt/washer assembly through the pad. Fasten to the roof using the allen key provided. **Do not fully tighten at this stage.**

4

Align pads.

Before tightening make sure the opposing pads are parallel across the vehicle. Tighten roof pads to 4-5 Nm. With pads in place, fix crossbars using the M6 hardware provided.



5

When crossbars are not in use, install the mount cover plates as shown.

