

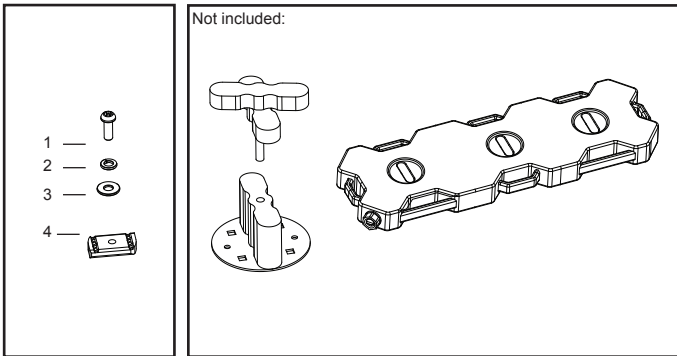


# RHINO-RACK

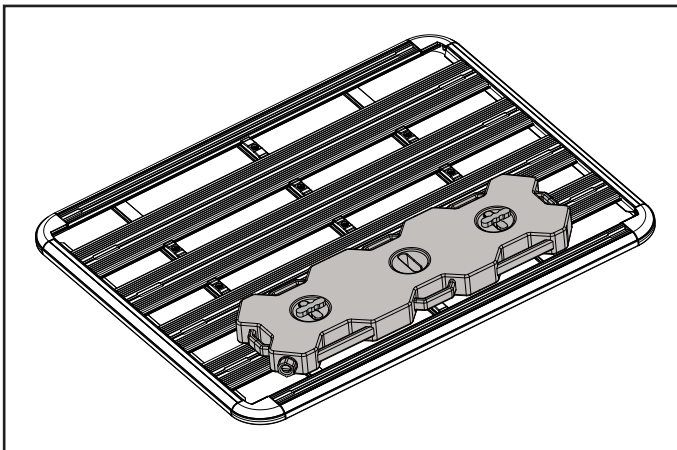
## Rotopax Fit Kit for Pioneer Range (43203)

To be used in conjunction with Rotopax Mounts Part no's: RX-PM / RX-DLX-PM / RX-LOX-PM

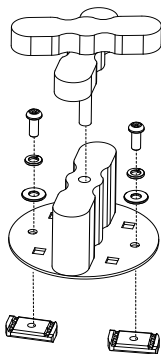
### Parts List



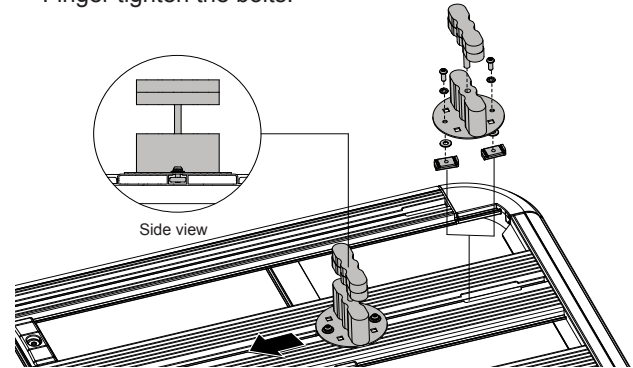
Item	Component	Qty	Part No.
1	M6 x 16 Button Head Bolt	4	B061
2	M6 Flat Washer	4	W003
3	M6 Spring Washer	4	W004
4	M6 Channel Nut	4	N002
5	Allen Key	1	TORKEY-L
6	Fitting Instructions	1	R928



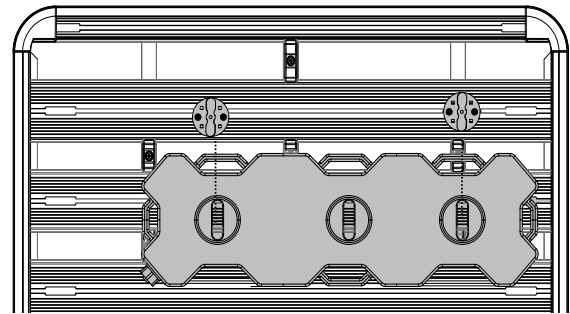
**1** Assemble the bracket kit as shown. Do not tighten hardware at this stage.



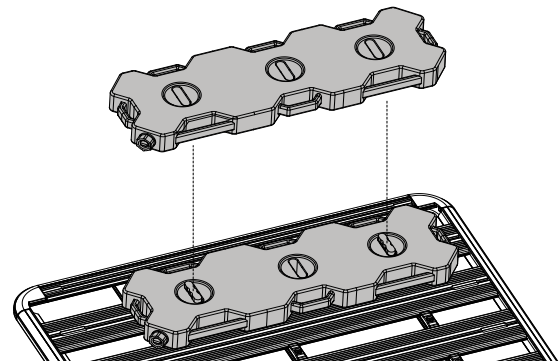
**2** Place the spacer kit into the tray access slot as shown. Finger tighten the bolts.



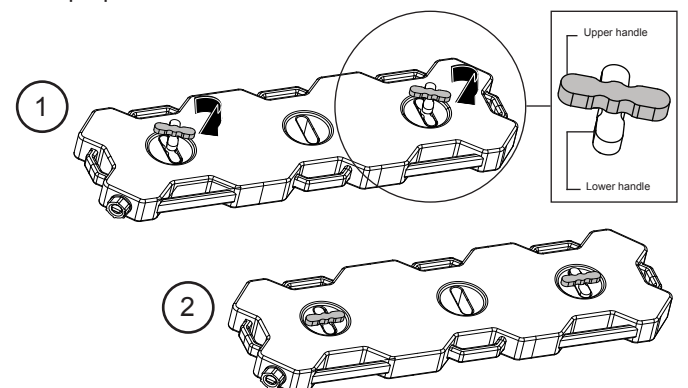
**3** Place a Rotopax besides the Rotopax Pack Mounts and adjust so that the slots align.



**4** Place the Rotopax onto the pack mounts. Tighten all four bolts.



**5** Ensure that the upper handle tightened and is positioned perpendicular to the lower handle.



Rhino-Rack  
3 Pike Street, Rydalmere,  
NSW 2116, Australia.  
(Ph) (02) 9638 4744  
(Fax) (02) 9638 4822

Prepared By: Peter Luu  
Authorised By: Chris Murty  
Issue No: 02  
Issue Date: 4/02/2016

These instructions remain the property of Rhino-Rack Australia Pty Ltd and may not be used or changed for any other purpose than intended.