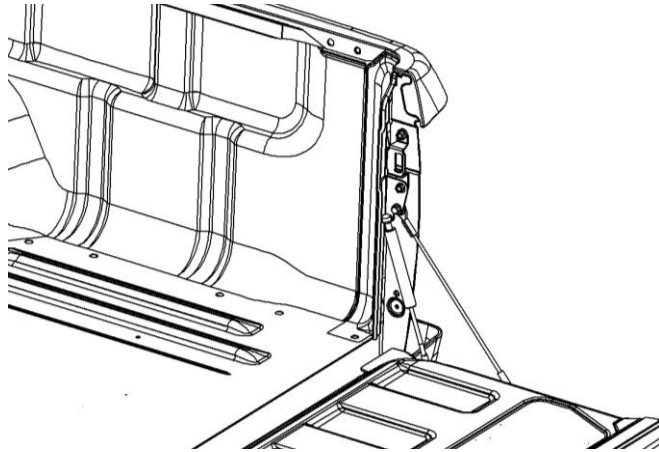


ARB FITTING INSTRUCTIONS

4744050 ISUZU DMAX 2020+ TAILGATE ASSIST MAZDA BT-50 2020+ TAILGATE ASSIST



**FITTING KIT: 6177592 ISUZU D-MAX 2020+
MAZDA BT-50 2020+**

IMPORTANT

- ◆ This product must be installed exactly as per these instructions using only the hardware supplied.
- ◆ Failure to follow instructions precisely may lead to failure of the product or result in injury and/or damage to vehicle.
- ◆ The installation of this product may require the use of specialized tools and/or techniques.
- ◆ During installation, it is the duty of the installer to check correct operation/clearances of all components.
- ◆ Work safely at all times.
- ◆ Specific installation can vary, so please read the following instructions as they refer to important information, which could affect the quality of the final installation.
- ◆ It is advisable to have these parts fitted by an authorised dealer.
- ◆ **Ensuring that the specified torques are used as contained in this fitting instruction is imperative, as failure may occur.**
- ◆ IF IN DOUBT CONTACT ARB FOR FURTHER INSTRUCTION.

HAVE AVAILABLE THESE SAFETY ITEMS WHEN FITTING PRODUCT:

Protective eyewear		Hearing protection		Gloves	
--------------------	---	--------------------	--	--------	---

NOTE: 'WARNING' notes in the fitting procedure relate to OHS situations, where to avoid a potentially hazardous situation it is suggested that protective safety gear be worn or a safe work procedure be employed. If these notes and warnings are not heeded, injury may result.

CARE INSTRUCTIONS:

In general, the Tailgate Assist system is maintenance free with no need for regular attention. However the following should be noted:-

- ◆ Gas tension springs are open systems. As such, avoid that dirt or other particles get into the tension spring through the ventilation hole in the cylinder end.
- ◆ When cleaning, use a non-caustic soap and avoid aiming high pressure water jets into the seal area.
- ◆ If grinding noises come from the ball sockets, remove the ball sockets (being careful not to lose or damage the clip) and clean any grit from the ball socket and ball.
- ◆ Avoid excessive heat (greater than 80°C)
- ◆ DO NOT grip piston rod with pliers, vice or similar (avoid scratching, denting or bending the rod).
- ◆ Avoid paint overspray, weld or grinding splatter, or materials such as glue.
- ◆ Avoid cleaning products that leave a coating such as silicones.
- ◆ Avoid applying adhesive tape to the piston rod.

TOOL LIST FOR FITMENT:

- Torque Wrench
- Socket driver
- T40 Torx socket or key
- 12mm socket or spanner
- 13mm socket or spanner
- 17mm socket or spanner

FITTING IS UNDERTAKEN IN THE FOLLOWING STEPS:

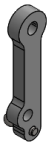
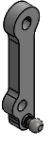

1. Fitting the kit RHS
2. Fitting the kit LHS

!! IMPORTANT !!

REQUIRED SCREW TORQUES: Refer to steps in fitting instruction

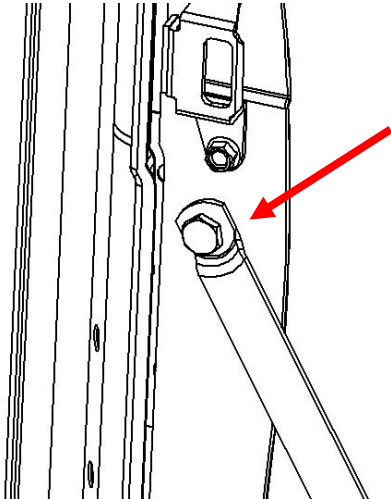
Screw torques must be adhered to. Over torqueing can cause failure of components.

THE FITTING KIT CONTAINS:

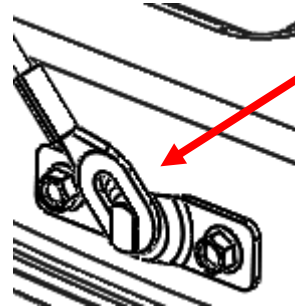
Kit No: 6177592	Part No	Picture	Qty	Description
	3195235R		1	UPPER BALL STUD MOUNT RH
	3195235L		1	UPPER BALL STUD MOUNT LH
	6821394F		2	TAILGATE LIMITING STRAP

	3750524R		1	LOWER BALL STUD MOUNT RH
	3750524L		1	LOWER BALL STUD MOUNT LH
	3750241R		1	TAILGATE STRAP GUIDE RH
	3750241L		1	TAILGATE STRAP GUIDE LH
	4590021		1	LIFT SPRING STRUT
	4590025		1	DAMPENING STRUT
	4584328		2	M8 FLAT WASHER 1.2MM THICK
	4584418		2	M8 FLAT WASHER 3MM THICK
	6151465		2	M8X35 SOCKET HEAD BOLT
	6151882		10	M8x20 ULTRA THIN
	5848468		2	SPACER CABLE TAILGATE
	2125702		1	WARNING LABEL

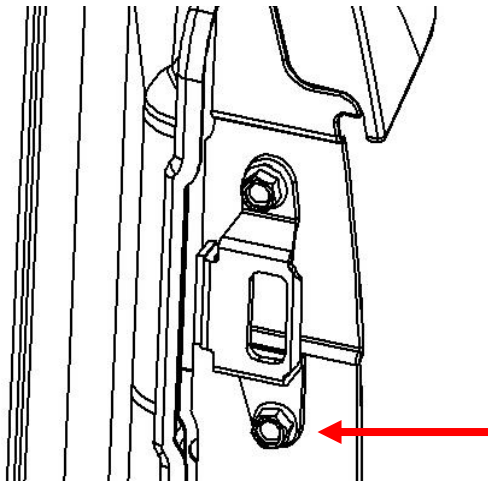
Section1: FITTING RH ASSIST



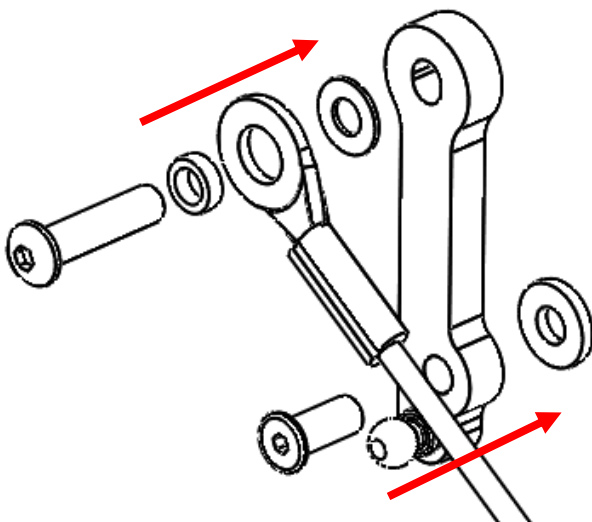
- 1.0) Using a 17mm socket remove the bolt securing the tailgate limiting strap to the quarter panel on the right hand side. Remove strap from the tailgate by rotating the strap and pulling it away from the mount. Discard the strap assembly and bolt.



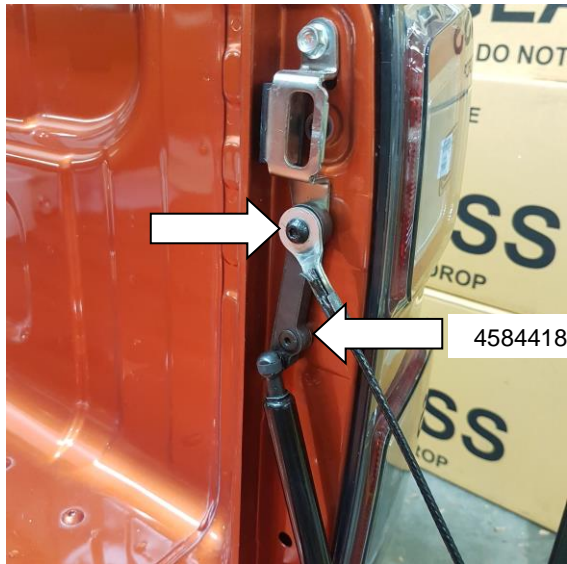
Leave the left hand side strap in place to avoid damaging tailgate by stopping it from opening too far.



- 1.1) Using a 12mm socket remove the lower M8 bolt on striker bracket. Retain bolt.

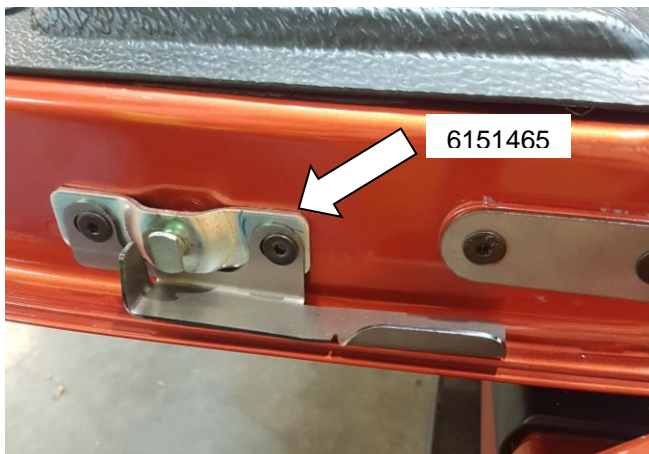


- 1.2) Assemble the right hand upper ball stud (3195235R) bracket as shown making sure to use the round eye end of tailgate strap (6821394F), fitting the spacer (5848468) through the eyelet and the 1.2mm thick flat washer (4154328) against the bracket and M8 socket head screw (6151465) assembled through the top hole in the bracket. While at the lower end of the bracket assemble M8 ultra-thin socket screw (6151465) through the bracket and M8 washer (4584418) behind bracket. Screw the assembly to threaded holes in the tub at the lower end of the striker and where the tailgate strap was.

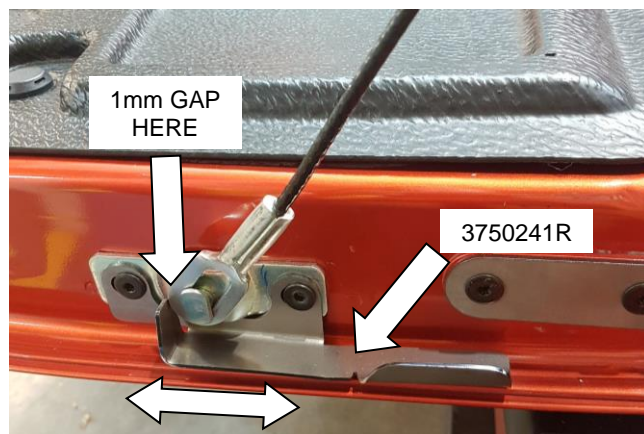


1.3) Before placing the striker mounting bolt through the bracket **ensure** the M8 x 3mm thick washer (4584418) (**as mentioned in the previous step**) is placed between the ball stud mount bracket and the panel face.

Tighten both bolts to 22Nm.



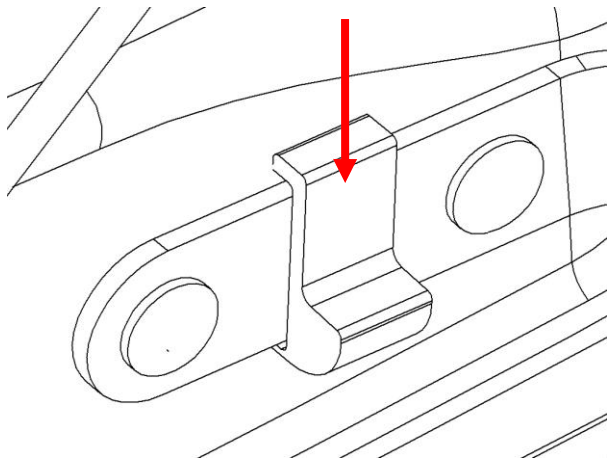
1.4) Remove the bolts from the existing strap mount on the tailgate and discard them. Fit to the cable guide bracket (3750241R) two M8 ultra-thin socket screws (6151465) and mount this over the existing strap mount bracket on the tailgate and leave screws finger tight.



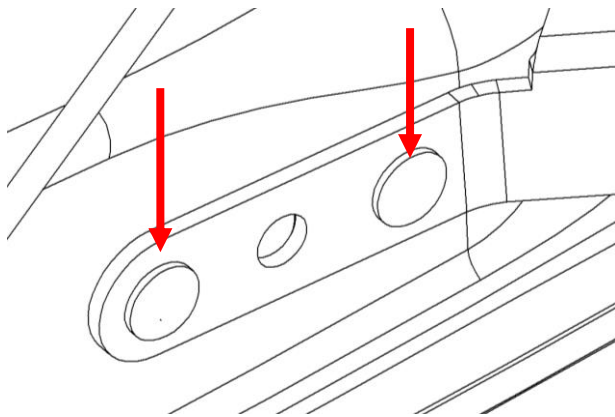
1.5) Slightly lift the tailgate and place the slotted end of strap (6821394F) onto the existing tailgate strap mount bracket. Gently lower the tailgate back down. Adjust the return lip on guide bracket (3750241R) to sit approx. **1mm** away from cable end by sliding the strap mount back or forth.

Tighten cap screws to 22Nm.

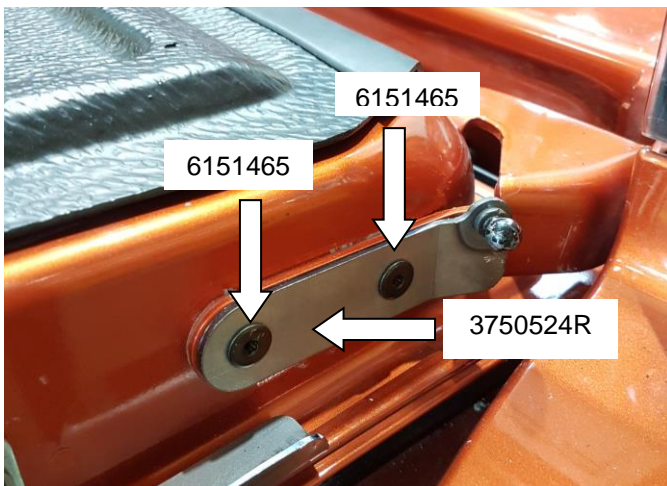
The return lip on the bracket (3750241R) stops accidental release of cable from the mounting bracket.



1.6) Remove and discard any of the rubber strap supports from the tailgate and door cavity of tub.



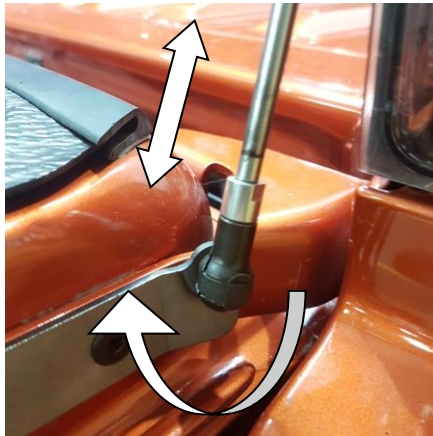
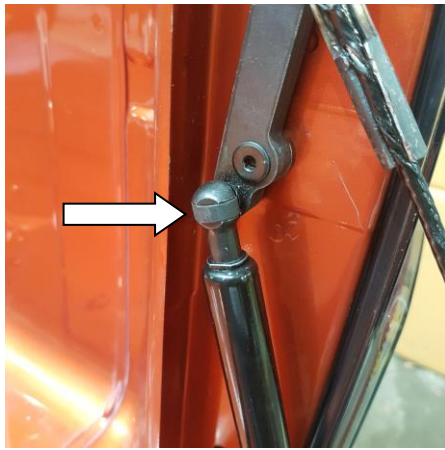
1.7) Suitably support the tailgate and remove and discard the two bolts in the tailgate hinge on the right hand side, using a T40 Torx bit.



1.8) Fit lower ball stud mount (3750524R) to the outside of the tailgate hinge and secure using M8 ultra-thin socket screws (6151465).

Torque to 22Nm.

Note orientation of the ball stud in this right hand image.



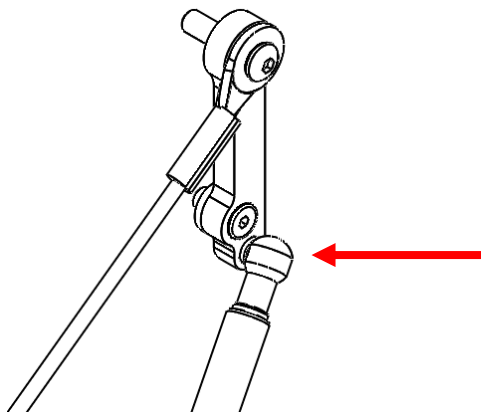
- 1.9) Place the upper end of the spring assist strut (4590021) with the larger diameter body of the strut clipped onto the upper ball stud mount.

DO NOT REMOVE EXTENSION SAFETY CLIP YET.

Ensure it has clipped in correctly. To fit the lower end of the strut, raise the tailgate until the lower strut end and ball stud mount bracket on the tailgate lines up to the strut end. Clip the strut rod end onto the ball stud. Gently lower tailgate and then remove strut extension safety clip.

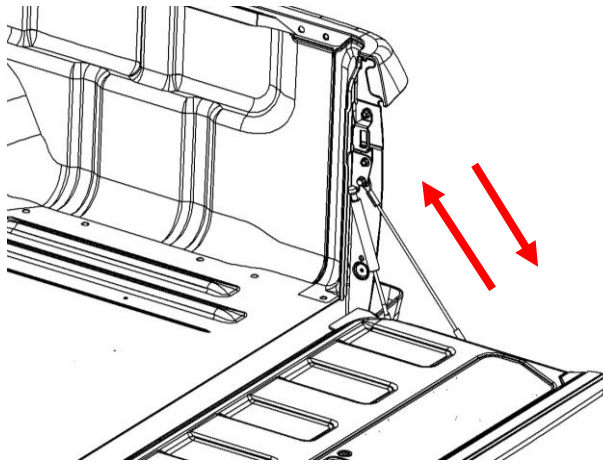
When complete, place the spring assist strut safety clip in vehicle glove box.

Section 2: FITTING LHS ASSIST



- 2.1) Use the same procedure as mentioned in section 1 for the left hand side components. However, use the dampening strut (4590025). (the narrower bodied strut) clipped onto the ball studs with the cylinder body end to the top. The piston can be moved easily in and out by hand on the dampening strut to help with alignment.

Ensure all torques as specified in the previous section are also used on the left hand side for fasteners.



2.2) When complete open and close the tailgate to ensure correct operation at least 5 times. **Do not apply force to open the tailgate down, let it naturally fall on its own.** Make sure there is no binding or cables protruding out of the gaps in the tailgate or areas in which the cables are getting pinched or struts rubbing against painted sheetmetal on the vehicle.



2.3) Fit the warning label (2125702) to vehicle tub as shown in the image. It must be fitted to the larger spring assist side and placed just above the lower tail light screw position.